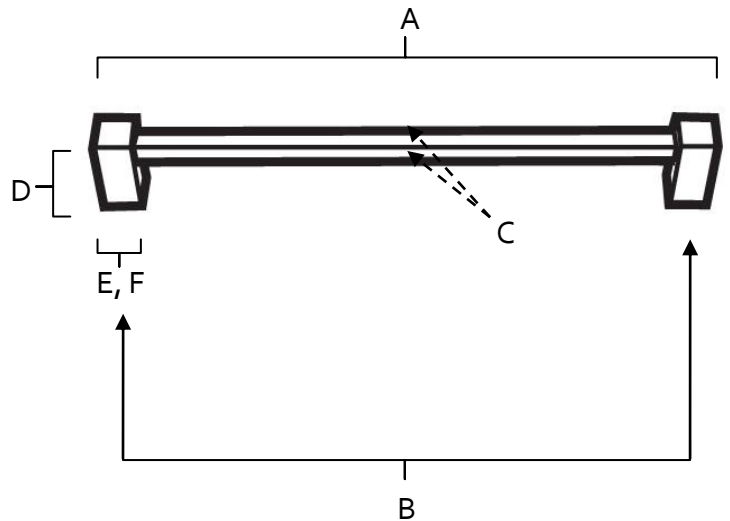


SPECIFICATIONS

CONTEMPORARY II
APPLIANCE PULLS



FEATURES

- Modern styling
- Multiple finishes
- Concealed installation

WARRANTY

Limited lifetime

FINISHES

- Bronze (BRZ)
- Matte Black (MB)
- Polished Chrome (PC)
- Polished Nickel (PN)
- Satin Brass (SB)
- Satin Nickel (SN)

MATERIAL

Brass

Item#	A	B	C	D	E (L)	F (W)
D718-8	8 5/8"	8"	3/8"	1 3/8"	5/8"	5/8"
D718-12	12 5/8"	12"	3/8"	1 5/8"	5/8"	5/8"
D718-18	18 5/8"	18"	3/8"	1 5/8"	5/8"	5/8"

KEY:

- A - Overall Length
- B - Center to Center
- C - Handle Width
- D - Projection
- E - Mount Length
- F - Mount Width

NOTE: Dimensions and specifications are subject to change without notice.