

# PEMBROKE HOT ONLY FILTRATION FAUCET SPECS

## Model # 1252H



### PRODUCT DESCRIPTION

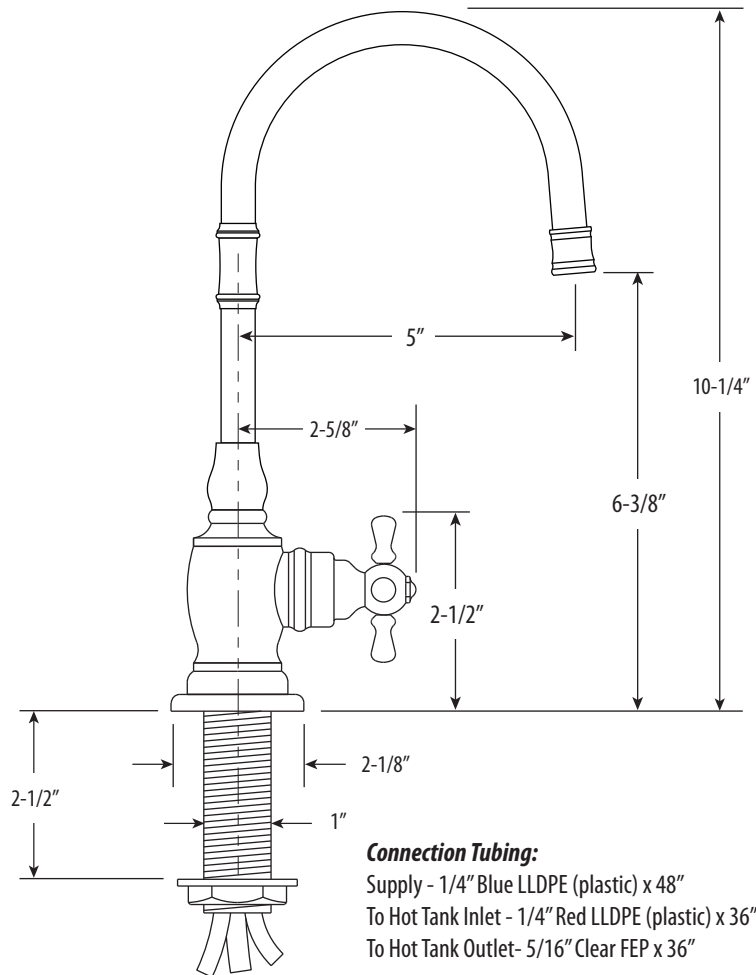
- Ideal for instant hot coffee or tea.
- For use with Waterstone Insta-Hot System.
- Perfect compliment to traditional Pulldown Faucets.
- Decorative spout tip matches PLP Pulldown design.
- Unique C-spout with 5" reach.
- Spout swivels 360 degrees.
- Compatible with reverse osmosis filtration systems.
- 1/4 turn ceramic disk valve cartridges.
- 1.1 gpm maximum flow rate.
- Solid brass construction.
- Single cross handle.
- Lifetime functional warranty.
- Made in the USA.

### CODES/STANDARDS APPLICABLE

Specified model meets or exceeds the following:

- ASME A112.18.1
- CSA B125.1
- NSF 61, 372
- CALGreen

- Max Counter Thickness 2-1/2"
- Install Hole Size Adaptable Up to 1-3/8"



DIMENSIONS MAY VARY AND ARE SUBJECT TO CHANGE. NO RESPONSIBILITY IS ASSUMED FOR USE OF SUPERCEDED OR VOIDED DATA

### AVAILABLE IN 30 FINISHES + SOLID 316 STAINLESS STEEL

Antique Brass - AB  
 Antique Bronze - ABZ  
 Antique Copper - AC  
 American Bronze - AMB  
 Antique Pewter - AP  
 Gloss Black - GB  
 Black Nickel - BLN  
 Black-Oil Rubbed Bronze - ORB  
 Caribbean Bronze - CB  
 Chocolate Bronze - CHB  
 Chrome - CH

Classic Bronze - CLZ  
 Distressed Antique Brass - DAB  
 Distressed Antique Copper - DAC  
 Distressed American Bronze - DAMB  
 Distressed Antique Pewter - DAP  
 Matte Black - MB  
 Polished Brass - PB  
 Polished Copper - PC  
 Polished Gold - PG  
 Polished Nickel - PN  
 Satin Brass - SB

Satin Chrome - SC  
 Satin Gold - SG  
 Satin Nickel - SN  
 Stainless Steel - SS\*  
 Tuscan Brass - TB  
 Unlaquered Polished Brass - UPB  
 Venetian Bronze - VB  
 Weathered Brass - WB  
 Weathered Copper - WC