



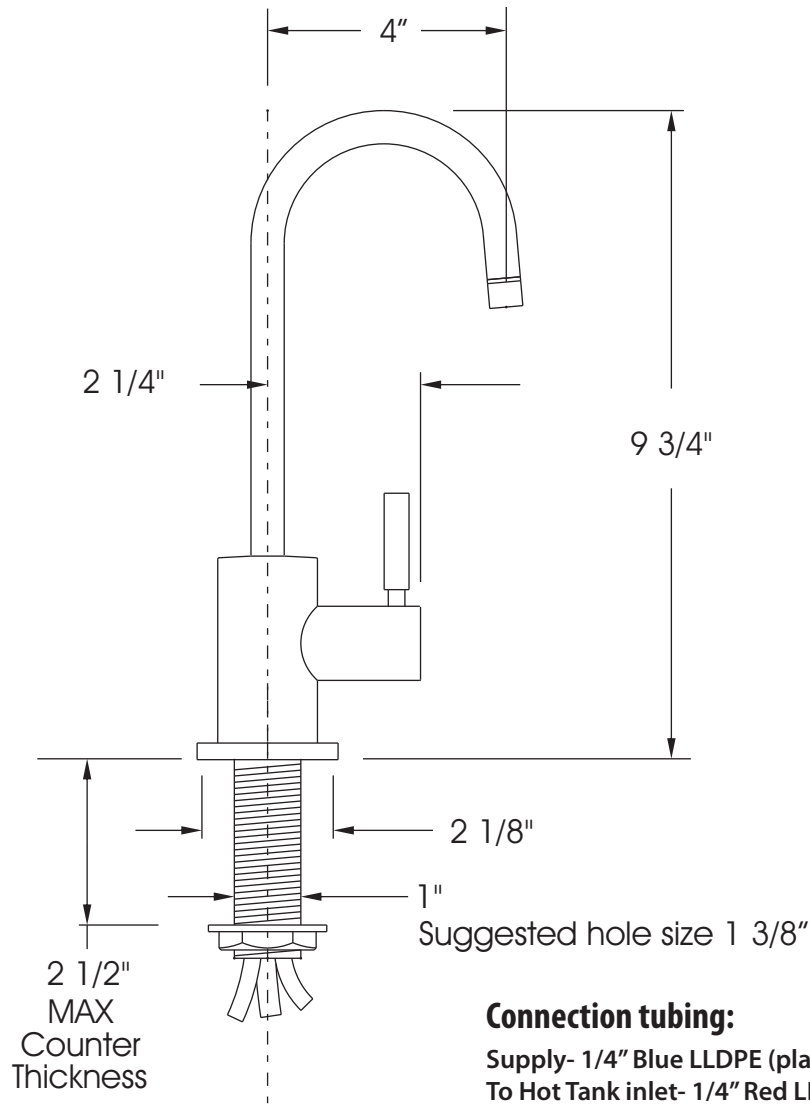
41180 Raintree Court  
Murrieta, CA 92562  
1-888-304-0660  
www.waterstoneco.com

ITEM NO: **1400H**  
STYLE: **PARCHE**  
INTENDED USE: FILTRATION FAUCET

CUSTOMER NAME:

JOB NO:

DIMENSIONS MAY VARY AND ARE SUBJECT TO CHANGE. NO RESPONSIBILITY IS ASSUMED FOR USE OF SUPERCEDED OR VOIDED DATA



### Connection tubing:

Supply- 1/4" Blue LLDPE (plastic) x 48"  
To Hot Tank inlet- 1/4" Red LLDPE (plastic) x 36"  
To Hot Tank outlet- 5/16" Clear PTFE x 36"

### Technical Specifications

- Solid brass or stainless steel construction.
- 1/4 turn ceramic disk valve cartridges.
- Lever handle.
- 1.1 gpm maximum flow rate.
- 360 degree swivel spout.

### Codes/Standards Applicable

Specified model meets or exceeds the following:

- ASME A112.18.1
- CSA B125.1
- NSF 61
- CALGreen

DATE: 1-6-08



MADE IN THE USA