



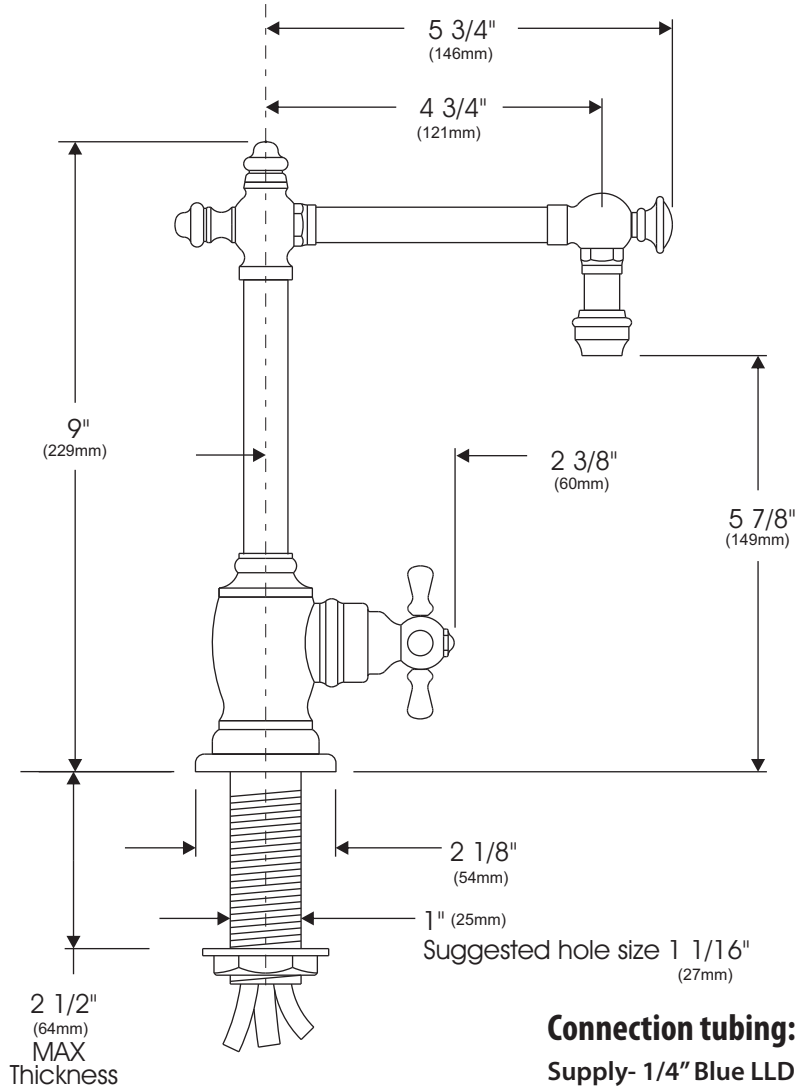
41180 Raintree Court  
 Murrieta, CA 92562  
 1-888-304-0660  
 www.waterstoneco.com

ITEM NO: **1750H**  
 STYLE: **TOWSON**  
 INTENDED USE:  
 FILTRATION FAUCET - HOT ONLY

CUSTOMER NAME:

JOB NO:

DIMENSIONS MAY VARY AND ARE SUBJECT TO CHANGE. NO RESPONSIBILITY IS ASSUMED FOR USE OF SUPERCEDED OR VOIDED DATA



**Connection tubing:**

Supply- 1/4" Blue LLDPE (plastic) x 48"  
 To Hot Tank inlet- 1/4" Red LLDPE (plastic) x 36"  
 To Hot Tank outlet- 5/16" Clear PTFE x 36"

**Technical Specifications**

- Solid brass construction.
- 1/4 turn ceramic disk valve cartridges.
- Cross handle.
- 1.1 gpm maximum flow rate.
- 360 degree swivel spout.

**Codes/Standards Applicable**

Specified model meets or exceeds the following:

- ASME A112.18.1
- CSA B125.1
- NSF 61
- CALGreen

DATE: 1-11-08



MADE IN THE USA