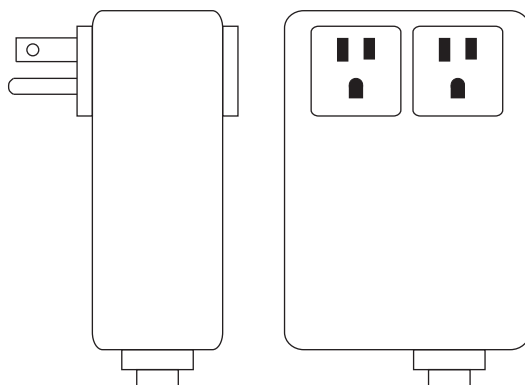
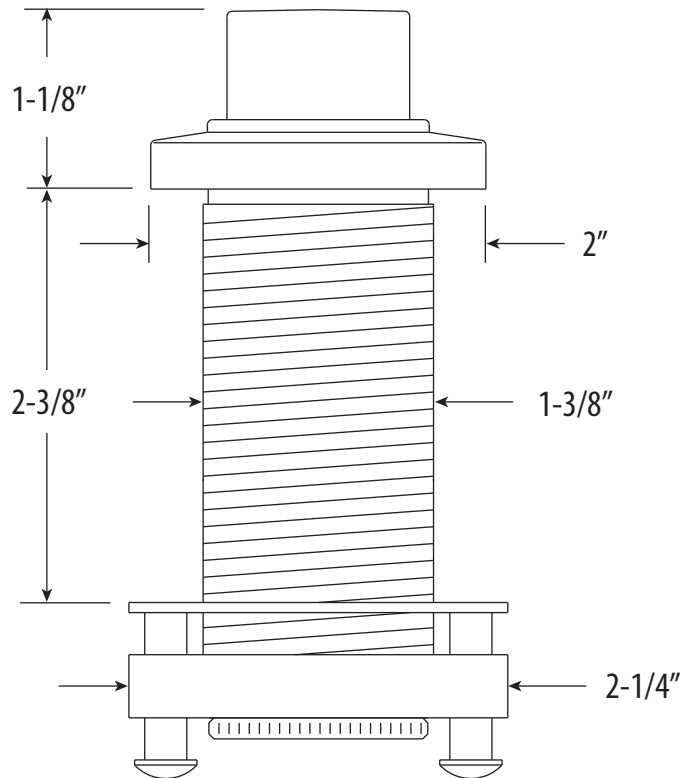


CONTEMPORARY AIR SWITCH

3010

- Max Counter Thickness 2-5/8"
- Install Hole Size Adaptable Up to 1-1/2"



Connection Box
4-1/4"H x 3"W x 2"D
120v 15Amp 1Hp
9-1/2' Tubing included



DIMENSIONS MAY VARY AND ARE SUBJECT TO CHANGE. NO RESPONSIBILITY IS ASSUMED FOR USE OF SUPERCEDED OR VOIDED DATA