



41180 Raintree Court  
Murrieta, CA 92562  
1-888-304-0660  
www.waterstoneco.com

ITEM NO: **3400**

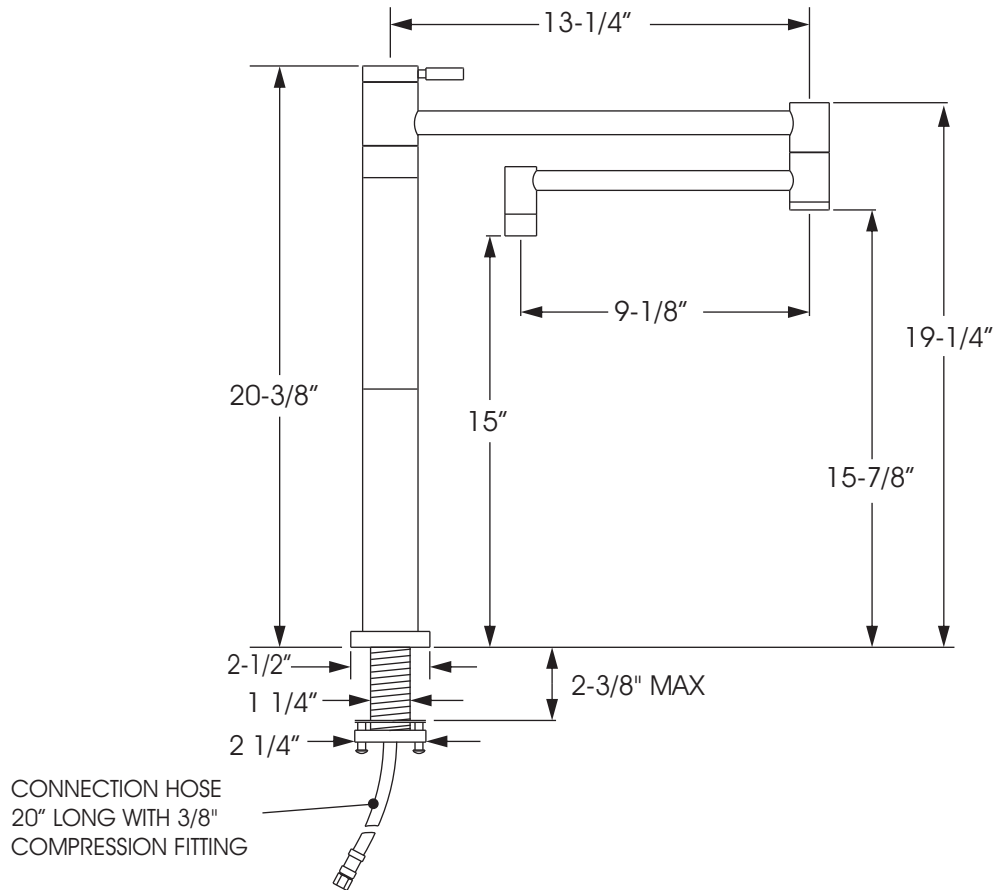
STYLE: **CONTEMPORARY**

INTENDED USE:  
COUNTER MOUNTED POTFILLER

CUSTOMER NAME:

JOB NO:

DIMENSIONS MAY VARY AND ARE SUBJECT TO CHANGE. NO RESPONSIBILITY IS ASSUMED FOR USE OF SUPERCEDED OR VOIDED DATA



RECOMMENDED HOLE SIZE 1-3/8"

### Technical Specifications

- Solid brass or stainless steel construction.
- 1/4 turn ceramic disk valve cartridge.
- Lever handle.
- 1.75 gpm maximum flow rate.
- Check valve to prevent water run-out.
- Aerated stream.
- 22" reach

### Codes/Standards Applicable

Specified model meets or exceeds the following:

- ASME A112.18.1
- CSA B125.1
- NSF 61
- CALGreen
- ADA

DATE: 1-9-09



MADE IN THE USA