



41180 Raintree Court  
Murrieta, CA 92562  
1-888-304-0660  
www.waterstoneco.com

ITEM NO:  
**3800**  
**3825**

## **Parche / Fulton Series Kitchen Faucets    INSTALLATION INSTRUCTIONS**

### **BEFORE YOU BEGIN YOUR INSTALLATION:**

1. Make sure your water supply is turned off
2. Observe all local plumbing codes
3. Inspect waste and water supplies for any signs of damage and replace as necessary
4. Do not use petroleum based products on this faucet.

### **RECOMMENDED TOOLS AND MATERIALS**

1. Phillips Screwdriver
2. Adjustable Wrench

### **FAUCET INSTALLATION (see diagram)**

1. Remove the clamp nut (A) and washer (B) from the threaded shroud (C) under the faucet and fit the faucet flexible hoses and rigid sidespray tube through the hole on the counter or sink. (No plumbers putty is required in that the faucet has an O-ring seal built into its base).
2. Slide the washer and thread the clamp nut onto the threaded shroud. Make sure clamp screws are screwed back and thread the nut snug to the underside of the sink or counter.
3. Make sure the faucet is in the correct position you want it for your sink and securely tighten the clamp screws.

### **CONNECTING SUPPLY HOSES**

1. Carefully position the hot and cold supplies so they will not interfere with other hoses
2. Connect the supply hoses to the supply stops

**Note** - The most common faucet installation is with the handle positioned to the right. Pull the handle for hot water or push the handle for cold water. If the handle is centered, press it to the right for cold and to the left for hot water. If the handle is installed to the left, reverse the supply hoses (connect the hose for cold water to the hot supply and the hose for hot water to the cold supply). This will maintain the relationship of pulling the handle for hot water or pushing for cold water.



**MADE IN THE USA**



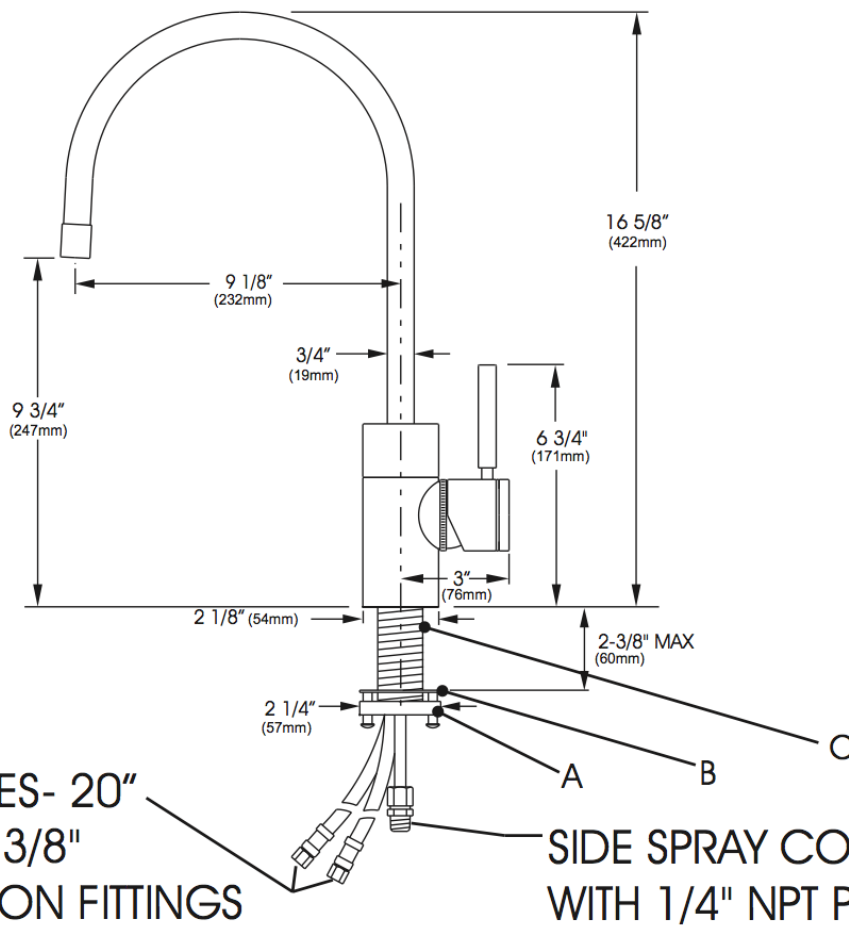
41180 Raintree Court  
Murrieta, CA 92562  
1-888-304-0660  
www.waterstoneco.com

ITEM NO:  
**3800**  
**3825**

## Parche / Fulton Series Kitchen Faucets    INSTALLATION INSTRUCTIONS

### CONNECTING OPTIONAL SIDE SPRAY

1. Mount side spray base in the side spray hole on your sink or counter.
2. Tighten guide nut.
3. Fit sidespray hose through the side spray guide.
4. Remove the sidespray hose cap on the end of the sidespray hose tube on the faucet.
5. Connect and tighten the end of the sidespray hose to the sidespray hose tube underneath the faucet.



MADE IN THE USA



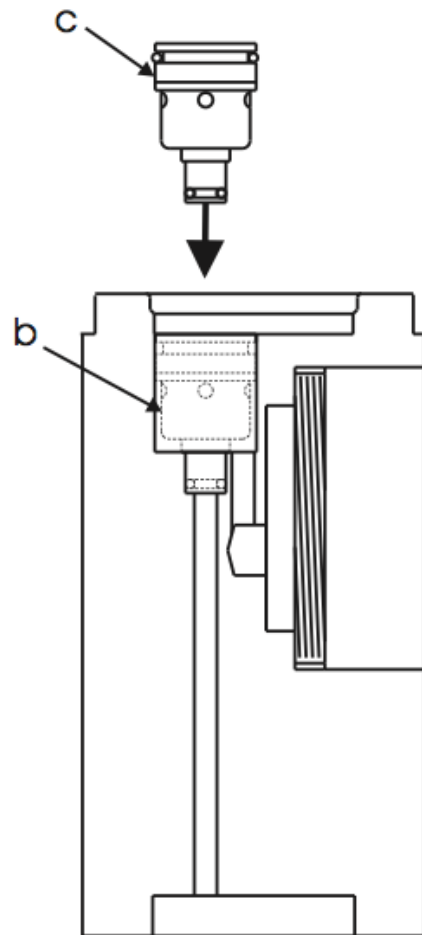
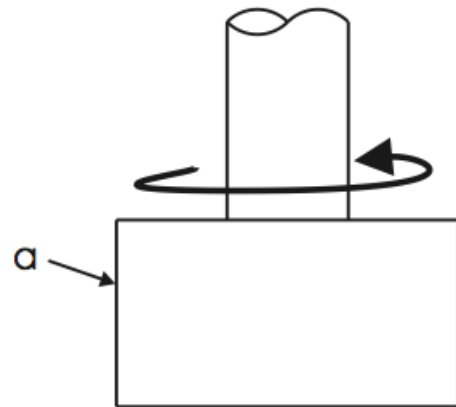
41180 Raintree Court  
Murrieta, CA 92562  
1-888-304-0660  
www.waterstoneco.com

ITEM NO:  
**3800**  
**3825**

## Parche / Fulton Series Kitchen Faucets      INSTALLATION INSTRUCTIONS

### DIVERTER REPLACEMENT 3800, 3825 SERIES FAUCETS.

1. Unscrew and remove riser base (a).
2. Using a needle nose pliers or small hook, remove old diverter (b) by pulling it straight up.
3. Insert the new diverter (c) by pushing straight down. (Use a little liquid soap to lubricate the o-rings before installation).
4. Re-install riser base, check for leaks.



MADE IN THE USA