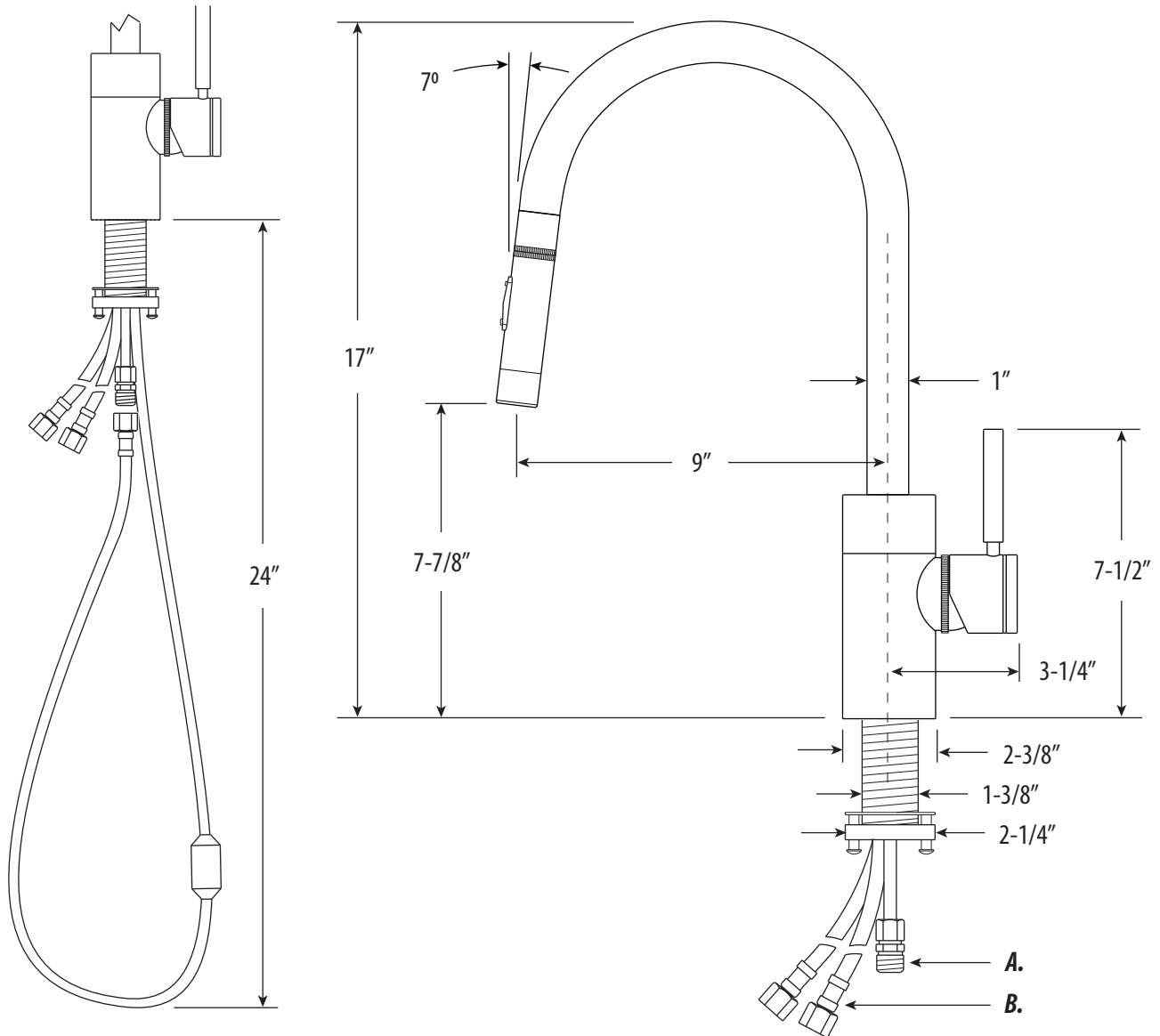


## CONTEMPORARY PLP PULLDOWN FAUCET / ANGLED SPOUT

# 5410

- Max Counter Thickness 2-3/8"
- Minimum Install Hole Size 1-1/2"

- A. Spray Connection with 3/8" Compression Fitting
- B. Supply Hoses - 20" Long with 3/8" Compression Fittings



**ECO BRASS**  
HIGH PERFORMANCE LEAD FREE BRASS

***DIMENSIONS MAY VARY AND ARE SUBJECT TO CHANGE. NO RESPONSIBILITY IS ASSUMED FOR USE OF SUPERCEDED OR VOIDED DATA***

## CONTEMPORARY PLP PULLDOWN FAUCET / ANGLED SPOUT

# 5410



Finish Shown - Polished Nickel

### FEATURES

- "Positive Lock Pulldown" design locks sprayer in place when not in use.
- 7 degree angled spout flows outward towards middle of sink.
- Spout has 9" reach and can swivel 360 degrees.
- Toggle handle spray head pulls out 18" from spout.
- Counterbalanced weight on spray hose allows smooth pull out and prevents snap back.
- Sprayer instantly diverts water from aerated stream to wide spray when handle is held.
- 1.75 gpm maximum flow rate with aerated tip.
- Adjustable handle tension ring helps handle feel and prevents sag.
- Single handle can mount in front, right or left hand positions.
- When mounted on side, handle can adjust 22.5 degrees for backsplash clearance.
- Hot/cold ceramic disk valve cartridge.
- Resistant to reverse osmosis water.
- Made from solid brass or 316 stainless steel.
- Reinforced braided connection hoses.
- Includes reversible or removable hot/cold indicator ring.
- Lifetime functional warranty.
- Made in the USA.

### CODES/STANDARDS APPLICABLE

Specified model meets or exceeds the following:

- ASME A112.18.1
- CSA B125.1
- NSF 61, 372
- CALGreen



AVAILABLE IN 32 FINISHES + SOLID 316 MARINE GRADE STAINLESS STEEL