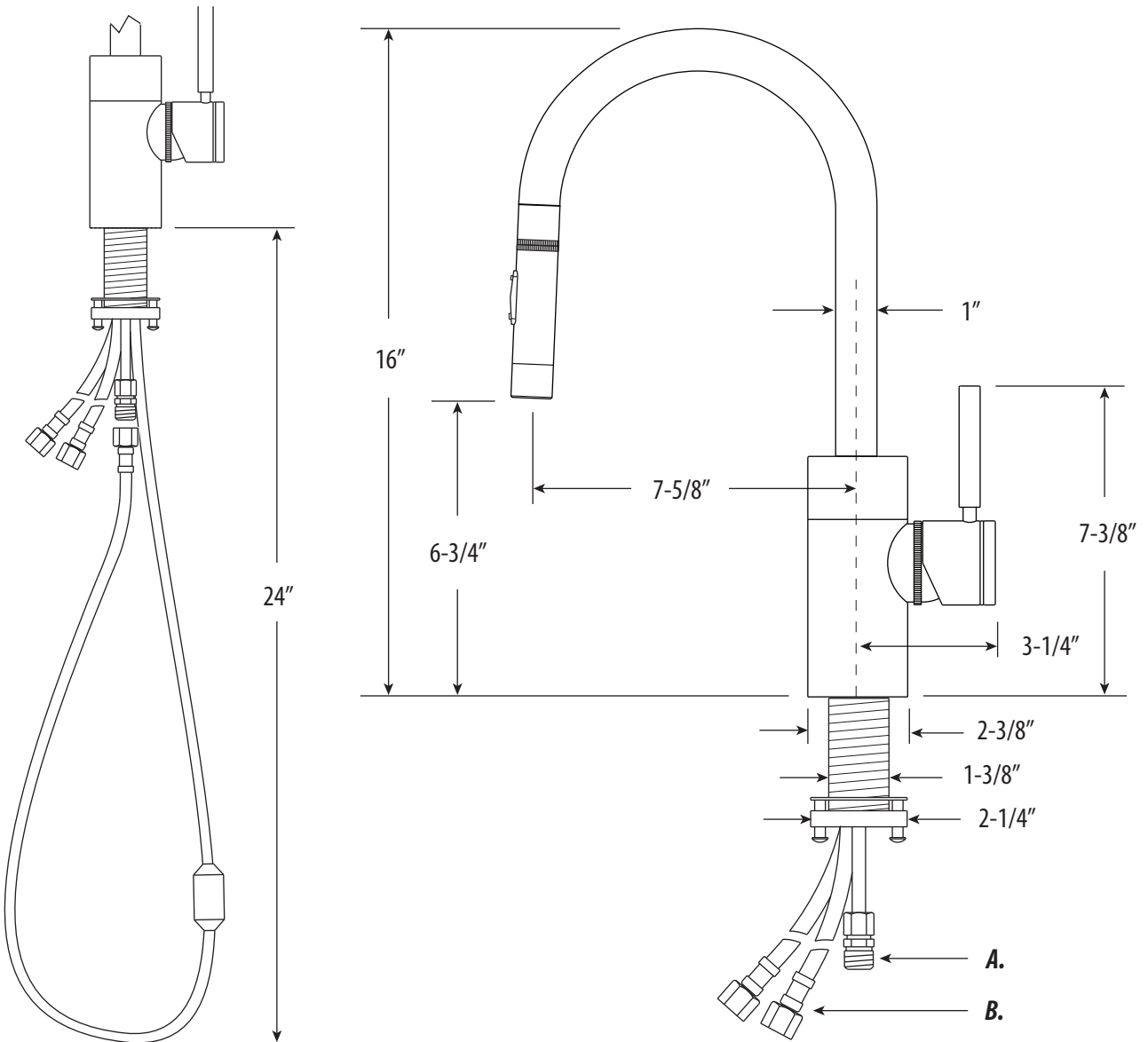


CONTEMPORARY PREP SIZE PLP PULLDOWN FAUCET

5900

- Max Counter Thickness 2-3/8"
- Minimum Install Hole Size 1-1/2"

- A. Spray Connection with 3/8" Compression Fitting
- B. Supply Hoses - 20" Long with 3/8" Compression Fittings



DIMENSIONS MAY VARY AND ARE SUBJECT TO CHANGE. NO RESPONSIBILITY IS ASSUMED FOR USE OF SUPERCEDED OR VOIDED DATA

CONTEMPORARY PREP SIZE PLP PULLDOWN FAUCET

5900



Finish Shown - Stainless Steel

FEATURES

- Smaller food prep version of standard reach PLP Pulldown.
- “Positive Lock Pulldown” design locks sprayer in place when not in use.
- Spout has 7-5/8” reach and can swivel 360 degrees.
- Toggle handle spray head pulls out 18” from spout.
- Counterbalanced weight on spray hose allows smooth pull out and prevents snap back.
- Sprayer instantly diverts water from aerated stream to wide spray when handle is held.
- 1.75 gpm maximum flow rate with aerated tip.
- Adjustable handle tension ring helps handle feel and prevents sag.
- Single handle can mount in front, right or left hand positions.
- When mounted on side, handle can adjust 22.5 degrees for backsplash clearance.
- Hot/cold ceramic disk valve cartridge.
- Resistant to reverse osmosis water.
- Made from solid brass or 316 stainless steel.
- Reinforced braided connection hoses.
- Includes reversible or removable hot/cold indicator ring.
- Lifetime functional warranty.
- Made in the USA.

CODES/STANDARDS APPLICABLE

Specified model meets or exceeds the following:

- **ASME A112.18.1**
- **CSA B125.1**
- **NSF 61, 372**
- **CALGreen**



AVAILABLE IN 30 FINISHES + SOLID 316 MARINE GRADE STAINLESS STEEL