

TOWSON TWO HANDLED KITCHEN FAUCET - 18" ARTICULATED SPOUT



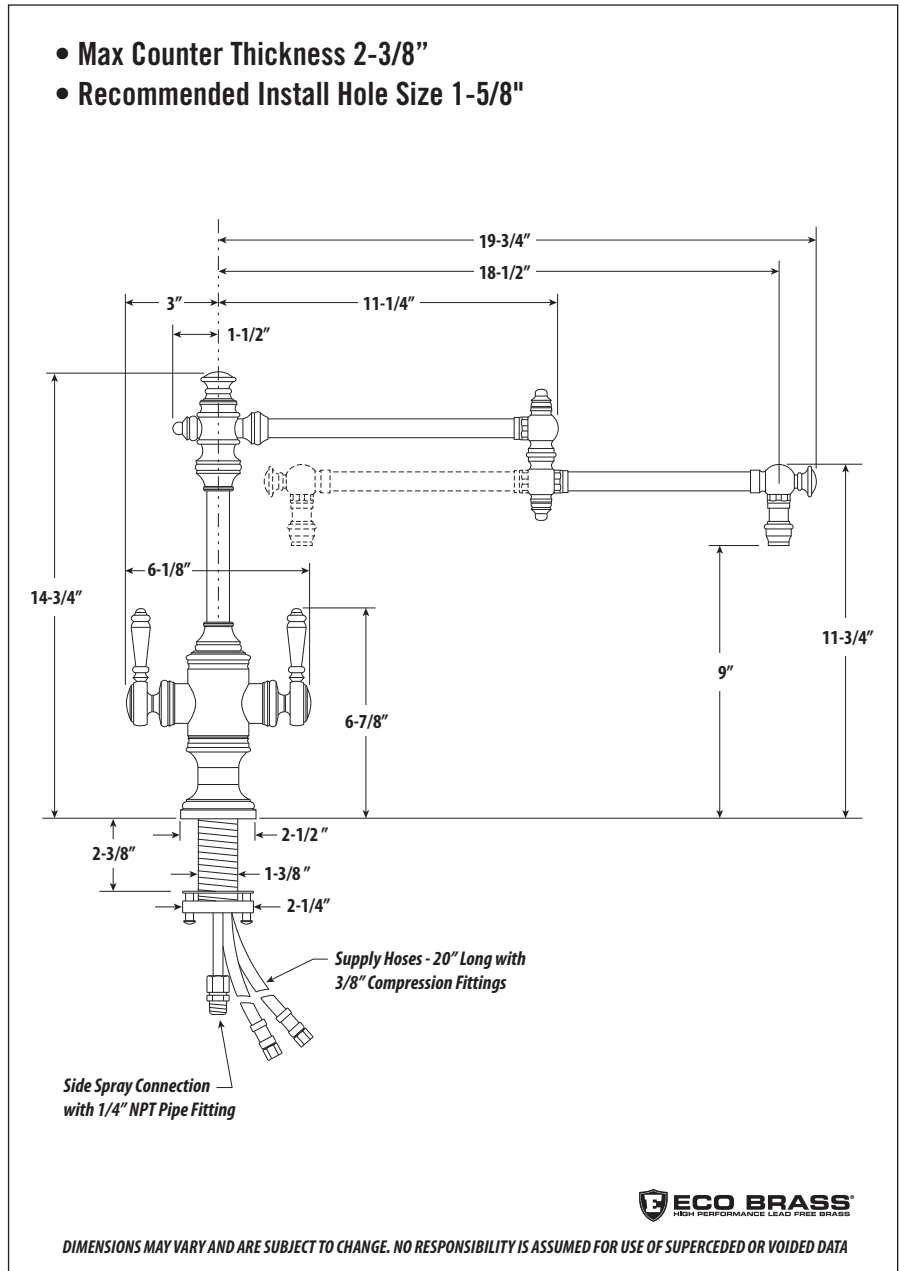
Product Description

- Hot and cold double lever handles.
- Adjustable handle brake system prevents handle sagging.
- 18" articulated spout design.
- 19-3/4" spout reach.
- Solid brass construction.
- 4 handle buttons included: 2 matching finish and 2 hot and cold buttons.
- Diverter equipped for connection to optional side spray.
- 1.75 gpm maximum flow rate.
- Reinforced braided connection hoses.
- Lifetime Functional Warranty.

Codes/Standards Applicable

Specified model meets or exceeds the following:

- ASME A112.18.1
- CSA B125.1
- NSF 61
- CALGreen



Finishes Available

FINISHES AVAILABLE:

Almond - 01
 Antique Brass - AB
 Antique Bronze - ABZ
 Antique Copper - AC
 American Bronze - AMB
 Antique Pewter - AP
 Black - 06
 Black Nickel - BLN
 Black-Oil Rubbed Bronze - ORB
 Biscuit - 07
 Caribbean Bronze - CB
 Chocolate Bronze - CHB
 Chrome - CH

Distressed Antique Brass - DAB
 Distressed Antique Copper - DAC
 Distressed American Bronze - DAMB
 Distressed Antique Pewter - DAP
 Euro-White - EW
 Matte Black - MB
 Polished Brass - PB

Polished Copper - PC
 Polished Gold - PG
 Polished Nickel - PN
 Satin Chrome - SC
 Satin Gold - SG
 Satin Nickel - SN
 Stainless Steel - SS*

Tuscan Brass - TB
 Venetian Bronze - VB
 Weathered Brass - WB
 Weathered Copper - WC
 White - WT

★ **MADE IN AMERICA** ★

41180 Raintree Court • Murrieta, CA 92562 • 1-888-304-0660 • 951-304-0520 • www.waterstoneco.com

*Contemporary Styles Only

REVISED: 1-1-15