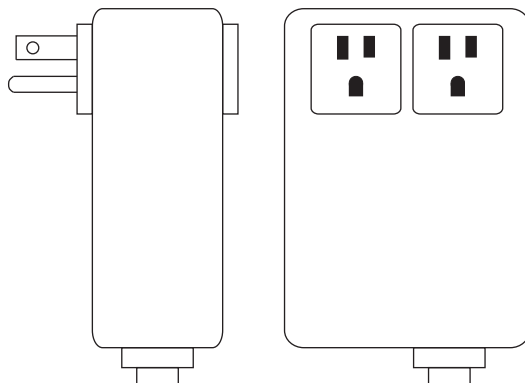
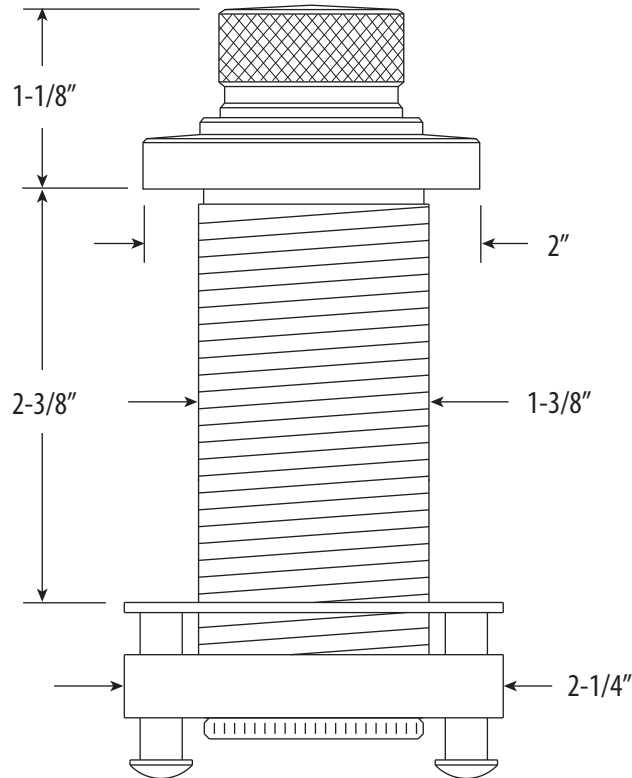


INDUSTRIAL AIR SWITCH

9010

- Max Counter Thickness 2-5/8"
- Install Hole Size Adaptable Up to 1-1/2"



Connection Box

4-1/4"H x 3"W x 2"D

120v 15Amp 1Hp

Tubing included



DIMENSIONS MAY VARY AND ARE SUBJECT TO CHANGE. NO RESPONSIBILITY IS ASSUMED FOR USE OF SUPERCEDED OR VOIDED DATA

INDUSTRIAL AIR SWITCH

9010



Finish Shown - Polished Nickel

FEATURES

- Modern knurling design matches any Industrial PLP Pulldown Faucet.
- Convenient alternative to a wall switch.
- Great for kitchen sink, kitchen island or counter tops.
- Above the counter design.
- Air-activated.
- Easy to use and avoids broken fingernails.
- Includes two-outlet control box and tubing.
- Isolated from electrical connections.
- Made from solid brass or 316 stainless steel.
- Simplifies first time disposer installations.
- Easily replaceable air pump.
- Made in the USA.

CODES/STANDARDS APPLICABLE

Specified model meets or exceeds the following:

- **UL (Connection box)**
- **CSA Enclosure Type 2**
- **ADA Compliant**

AVAILABLE IN 32 FINISHES + SOLID 316 MARINE GRADE STAINLESS STEEL