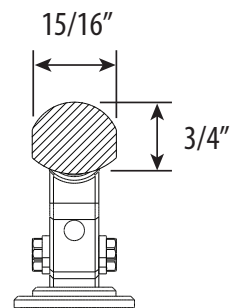


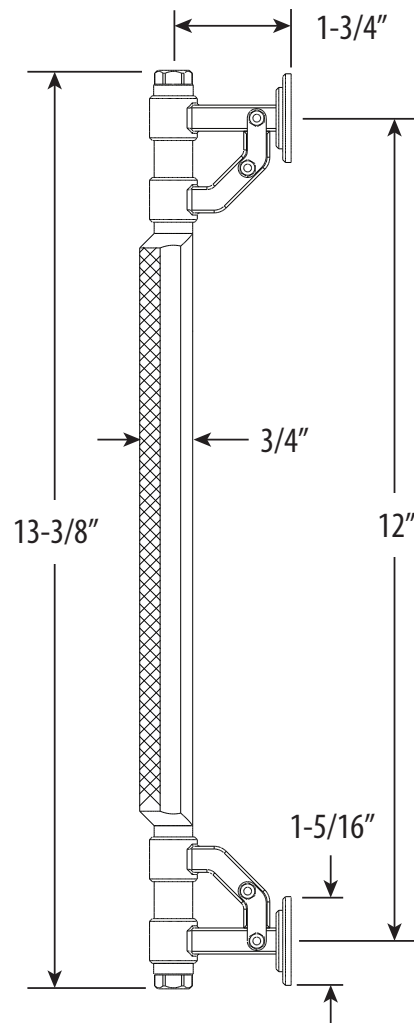
**INDUSTRIAL 12" APPLIANCE PULL**

**HIP-1201**

- Break to length screws
- Fits materials from 1/2" to 1-1/2" thick



**END VIEWS**

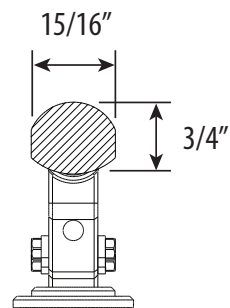


*DIMENSIONS MAY VARY AND ARE SUBJECT TO CHANGE. NO RESPONSIBILITY IS ASSUMED FOR USE OF SUPERCEDED OR VOIDED DATA*

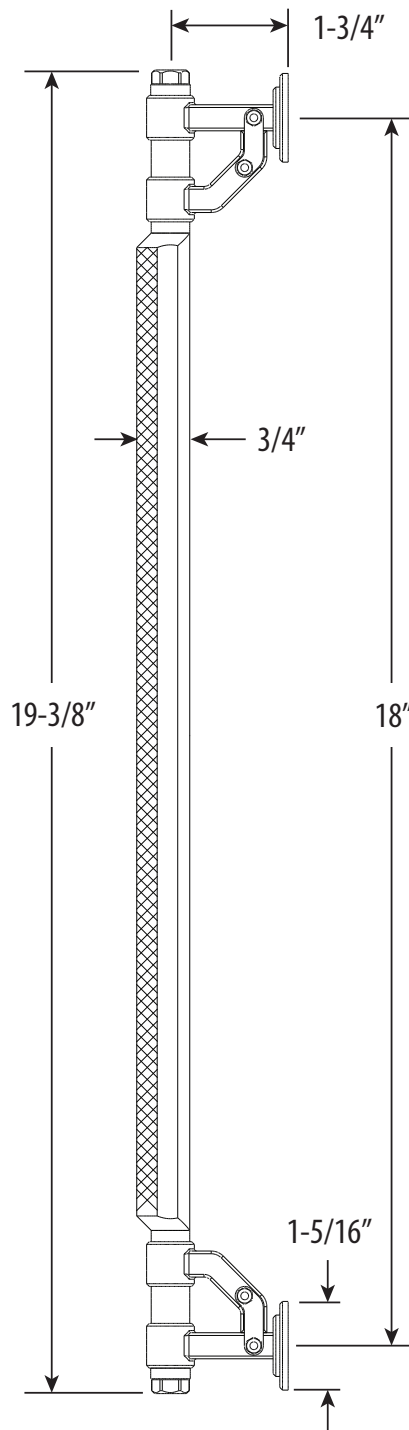
INDUSTRIAL 18" APPLIANCE PULL

HIP-1800

- Break to length screws
- Fits materials from 1/2" to 1-1/2" thick



END VIEWS



DIMENSIONS MAY VARY AND ARE SUBJECT TO CHANGE. NO RESPONSIBILITY IS ASSUMED FOR USE OF SUPERCEDED OR VOIDED DATA