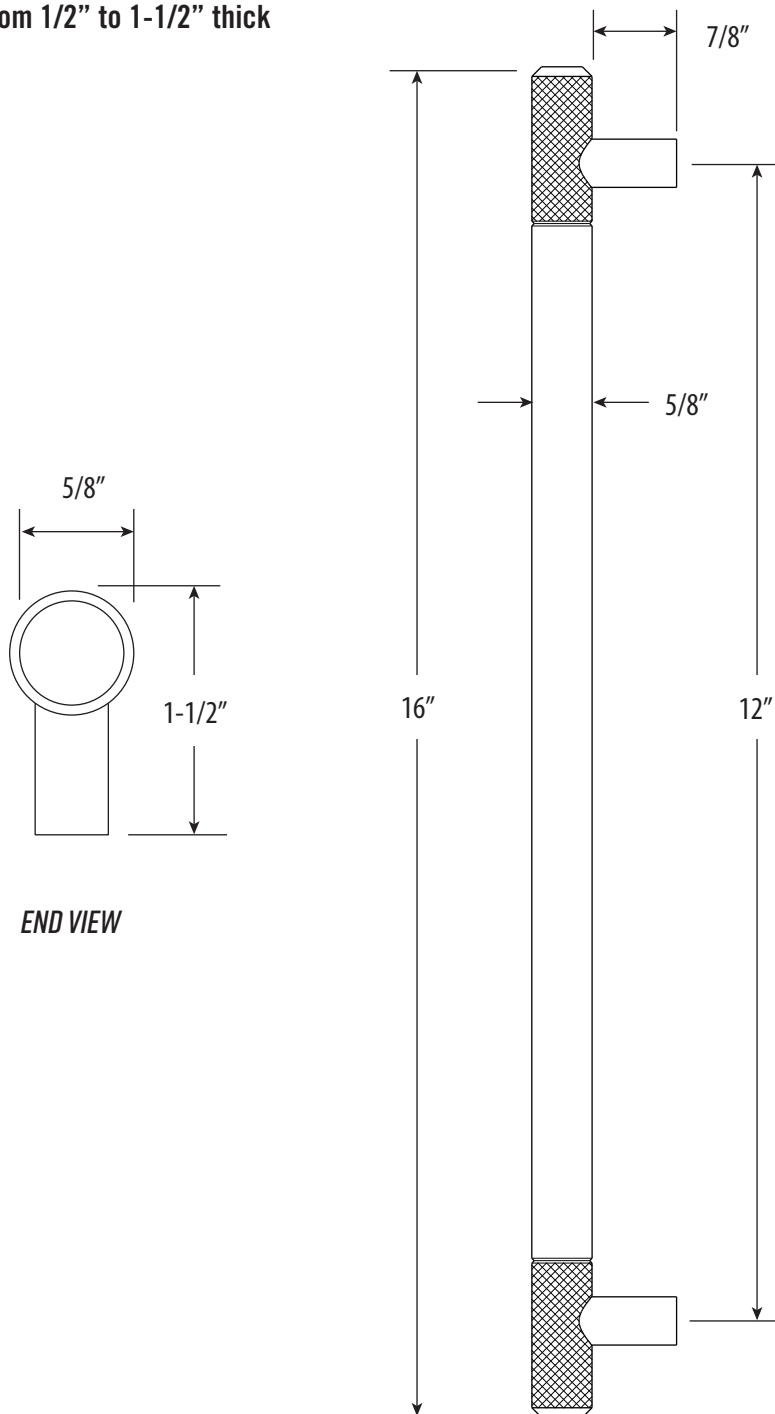


MODERN INDUSTRIAL 12" APPLIANCE / DOOR PULL

HMP-1201

- Break to length screws
- Fits materials from 1/2" to 1-1/2" thick



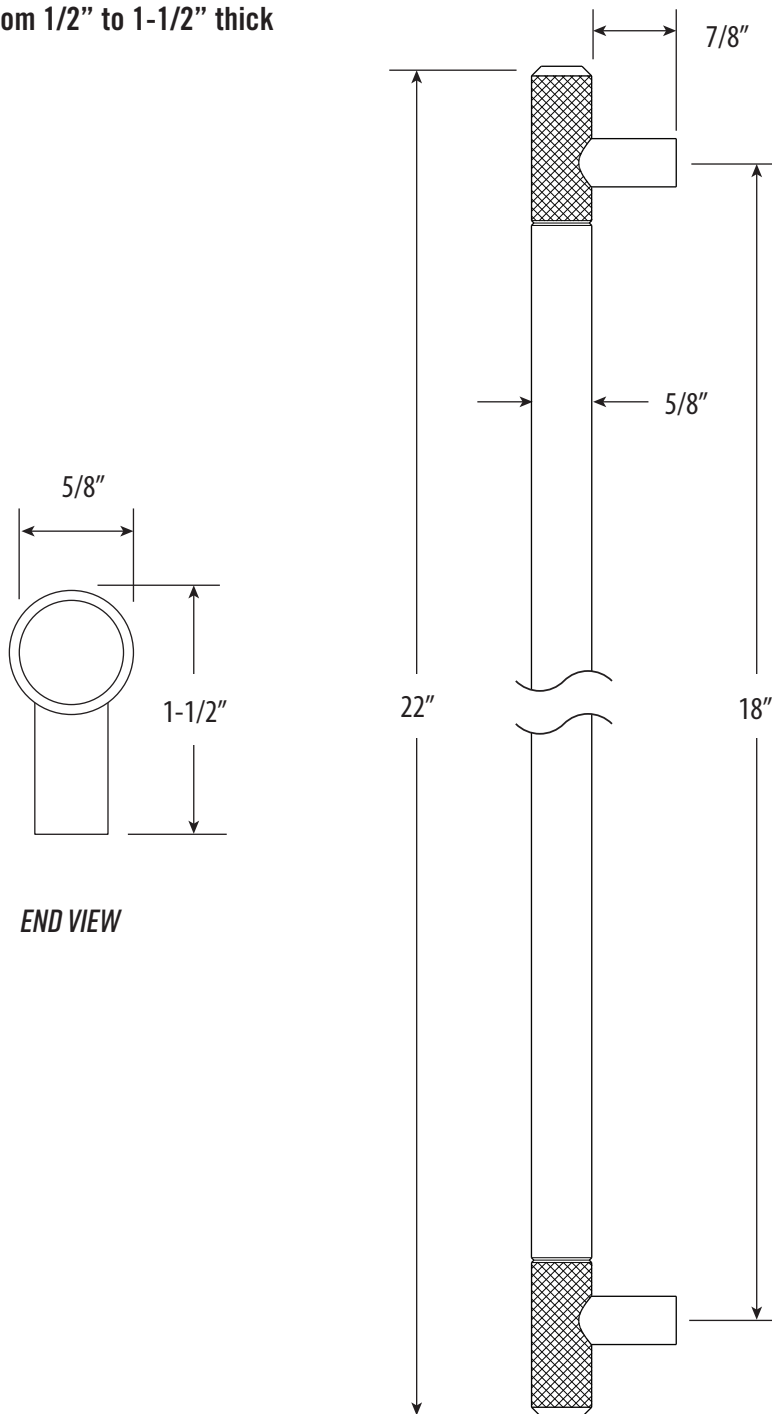
 **ECO BRASS**
HIGH PERFORMANCE LEAD FREE BRASS

DIMENSIONS MAY VARY AND ARE SUBJECT TO CHANGE. NO RESPONSIBILITY IS ASSUMED FOR USE OF SUPERCEDED OR VOIDED DATA

MODERN INDUSTRIAL 18" APPLIANCE / DOOR PULL

HMP-1800

- Break to length screws
- Fits materials from 1/2" to 1-1/2" thick



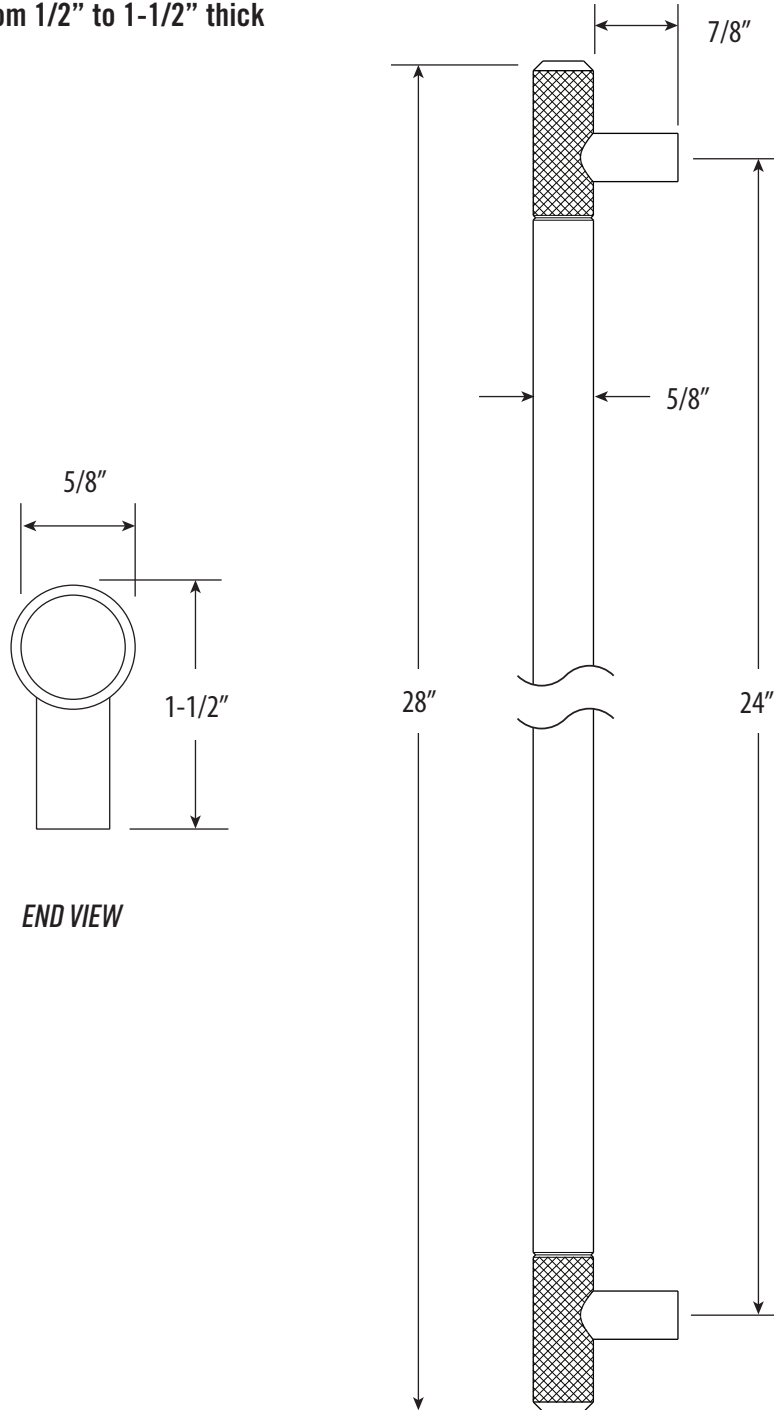
 **ECO BRASS**
HIGH PERFORMANCE LEAD FREE BRASS

DIMENSIONS MAY VARY AND ARE SUBJECT TO CHANGE. NO RESPONSIBILITY IS ASSUMED FOR USE OF SUPERCEDED OR VOIDED DATA

MODERN INDUSTRIAL 24" APPLIANCE / DOOR PULL

HMP-2400

- Break to length screws
- Fits materials from 1/2" to 1-1/2" thick

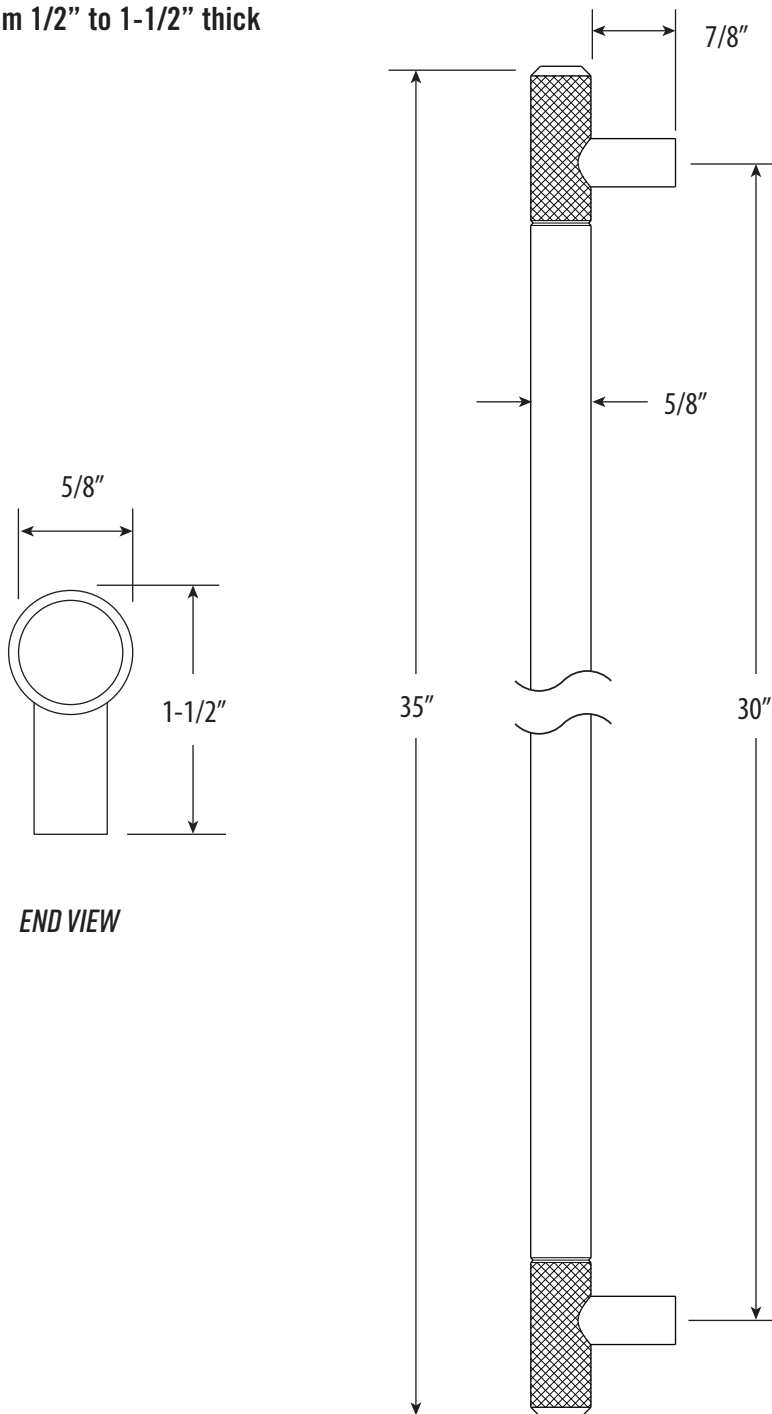


DIMENSIONS MAY VARY AND ARE SUBJECT TO CHANGE. NO RESPONSIBILITY IS ASSUMED FOR USE OF SUPERCEDED OR VOIDED DATA

MODERN INDUSTRIAL 30" APPLIANCE / DOOR PULL

HMP-3000

- Break to length screws
- Fits materials from 1/2" to 1-1/2" thick



 **ECO BRASS**
HIGH PERFORMANCE LEAD FREE BRASS

DIMENSIONS MAY VARY AND ARE SUBJECT TO CHANGE. NO RESPONSIBILITY IS ASSUMED FOR USE OF SUPERCEDED OR VOIDED DATA