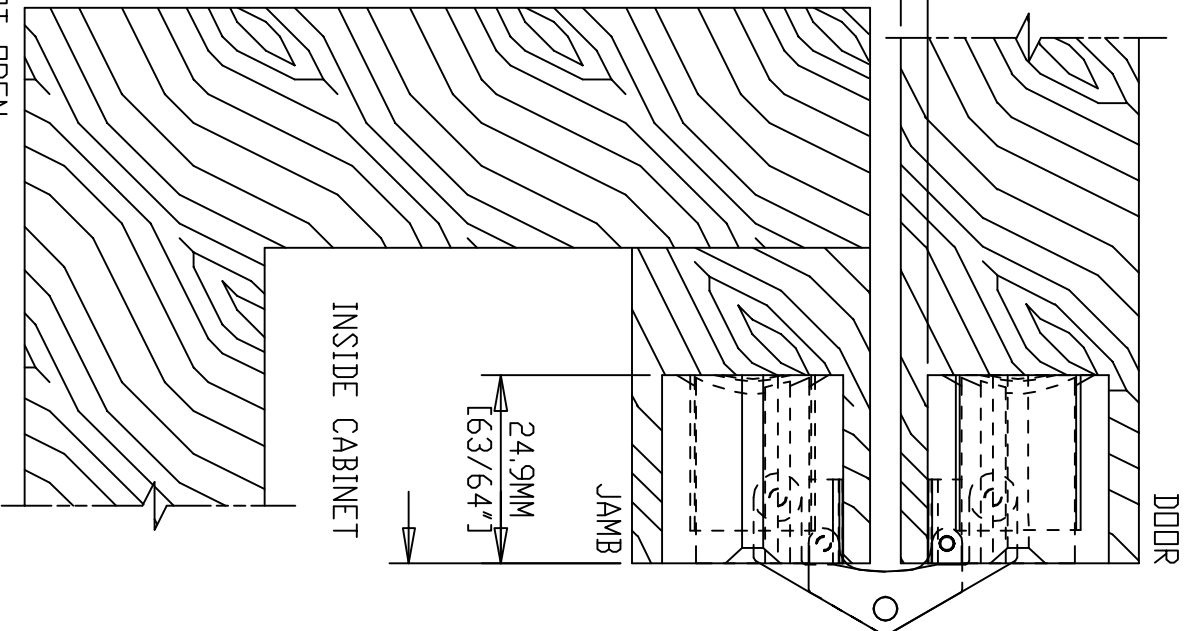


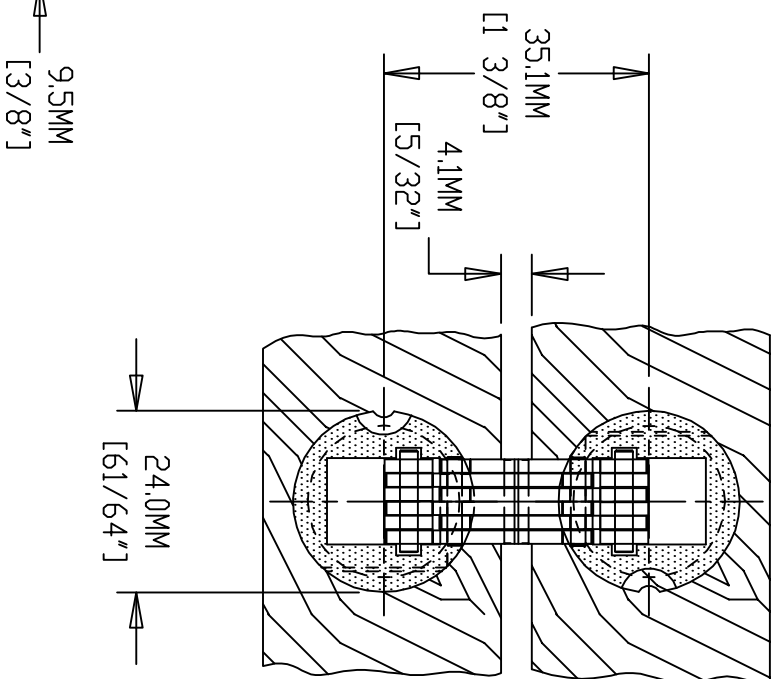
HINGE OPEN 180°  
ISOMETRIC VIEW

3.5MM  
[9/64"] MAX. IF EXCEEDED THE  
DOOR MAY BIND AGAINST  
THE JAMB AND NOT OPEN

HINGE OPEN 180°  
SIDE VIEW CUT AWAY



HINGE OPEN 180°  
FRONT VIEW



RECOMMENDED WOOD SCREW  
NOT INCLUDED WITH HINGE : #10

DO NOT SCALE DRAWING  
IF 3.5 MM EXCEEDED DOOR MAY NOT OPEN  
1-1/4" MIN. DOOR THICKNESS

FRACTIONAL DIMENSIONS ARE FOR REFERENCE ONLY!

**UIIP**

©Copyright  
Universal Industrial Products, Inc.  
One Coreway Drive  
Pioneer, Ohio 43354-0628

SCALE: 1 = 1

DRAWN BY: NMM

HINGE TEMPLATE

DATE: 5/26/15

BH 244 SOSS INVISIBLE HINGE

DRAWING #BH244