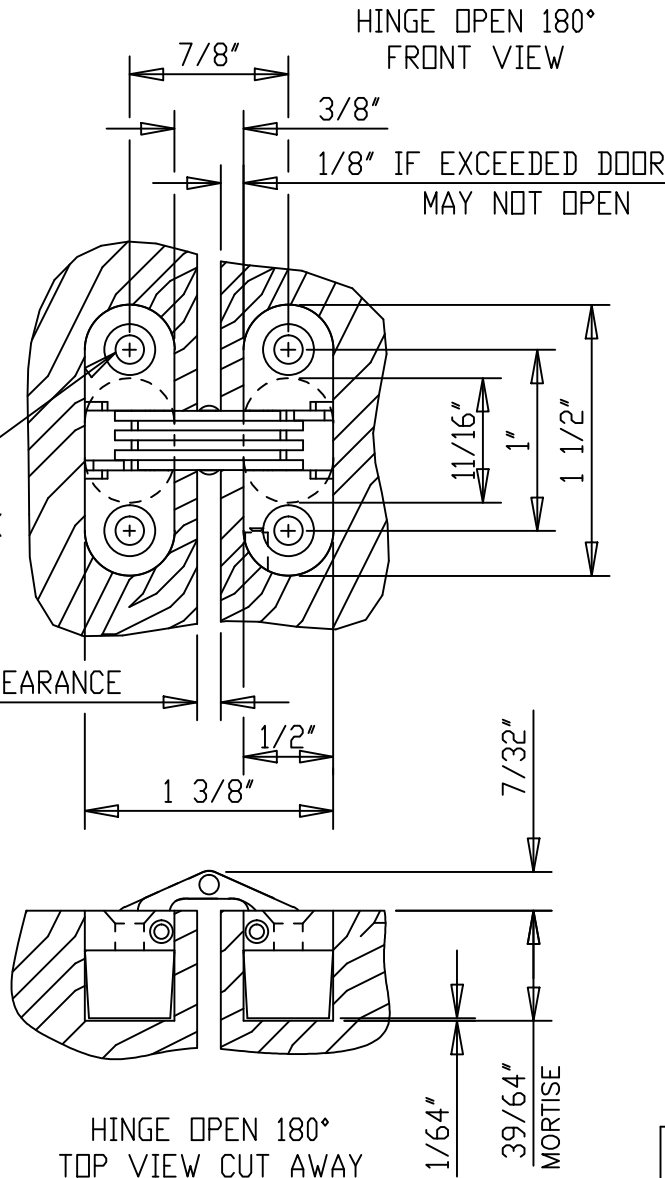


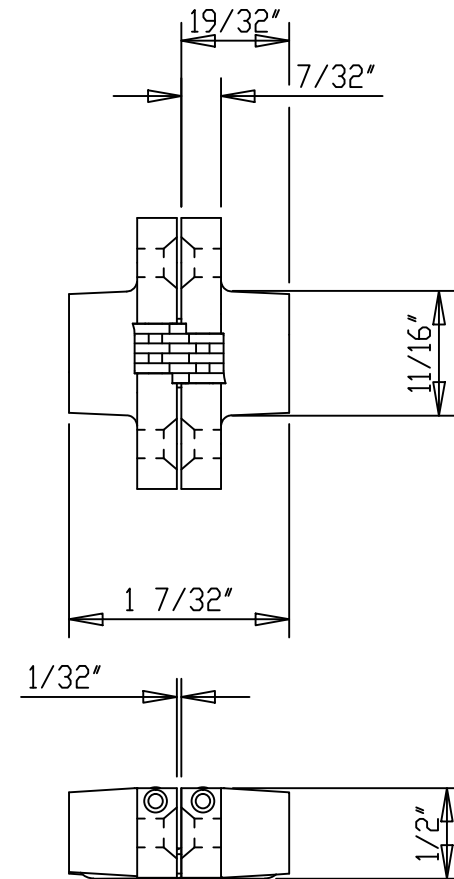
HINGE OPEN 180°  
ISOMETRIC VIEW

.161" DIA WITH  
9/32" DIA x 82° C'SINK

1/8" DOOR CLEARANCE



HINGE CLOSED  
FRONT VIEW CUT AWAY



HINGE CLOSED  
TOP VIEW CUT AWAY

SUPPLIED:  
WOOD SCREW  
#6 x 1"  
SPECIAL ORDER:  
MACH. SCREW  
#6-40 x 1/2"

MIN. MATERIAL THICKNESS IS 3/4"  
DO NOT SCALE DRAWING  
ALL DIMENSIONS ARE IN INCH  
DOOR CLEARANCE REDUCES TO 1/32" WHILE CLOSING  
SEE DWG# 4477-C IF ADDING MATERIAL TO DOOR FACE AND/OR FRAME FACE

UIP © Copyright 2008 Universal Industrial Products, Inc. One Coreway Drive Pioneer, Ohio 43554-0628	SCALE: 1 = 1
	DRAWN BY: LHH
HINGE TEMPLATE	DATE: 5/01/11
#103 SOSS INVISIBLE HINGE	DRAWING # 103