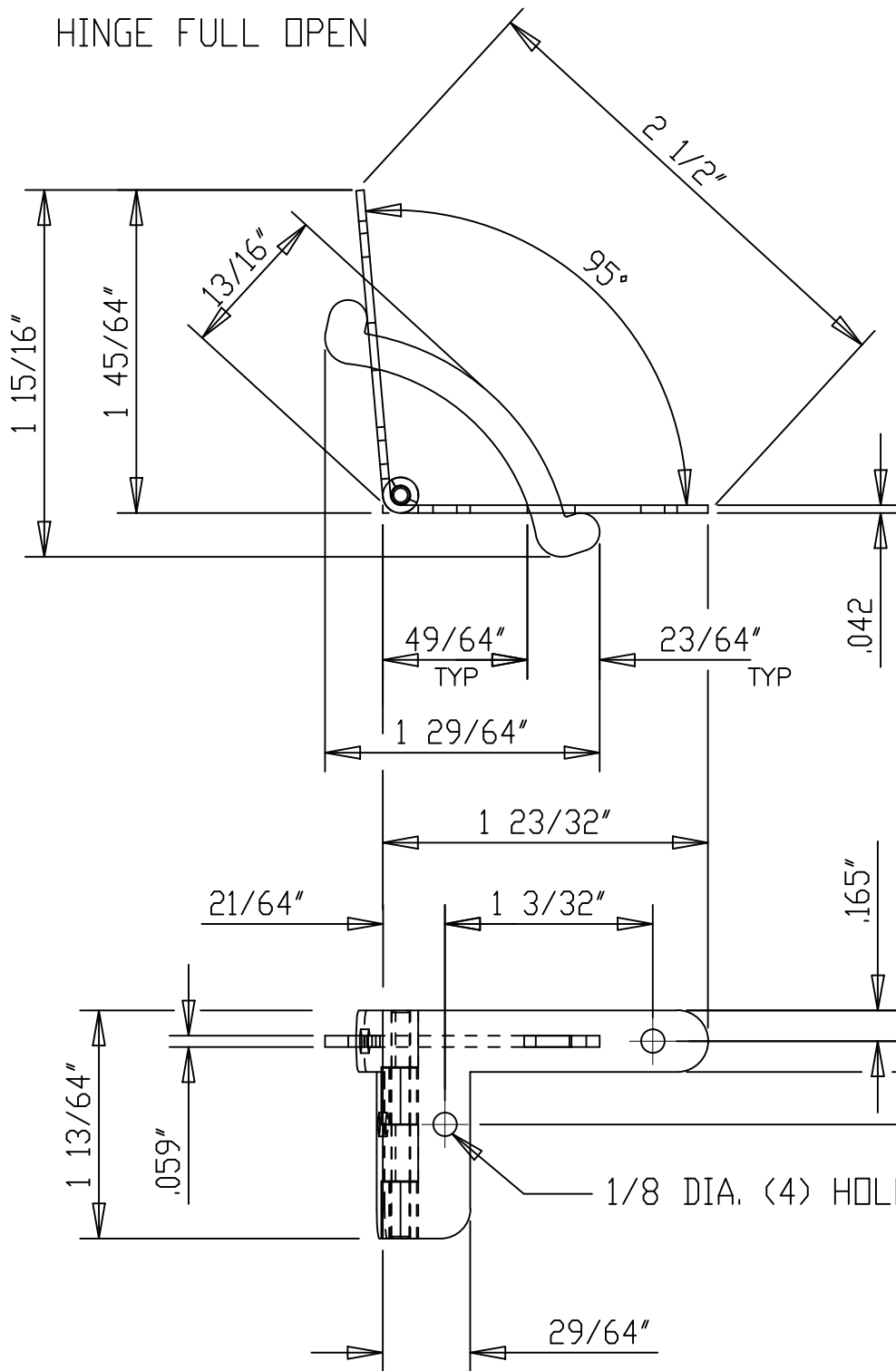
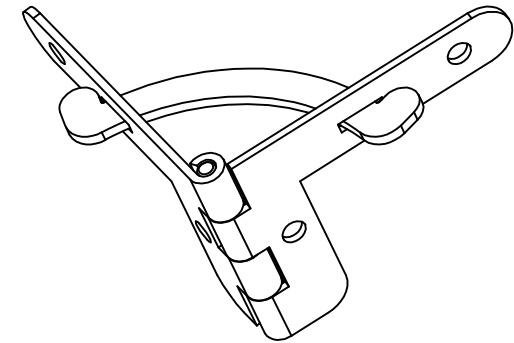
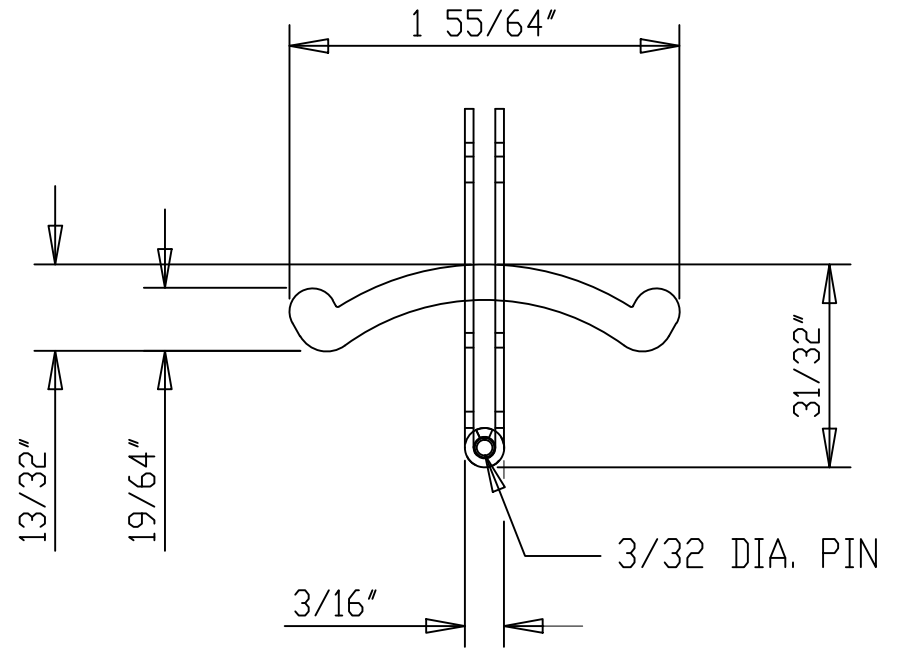


HINGE FULL OPEN



HINGE CLOSED



DO NOT SCALE DRAWING
ALL DIMENSIONS ARE IN INCH

 Copyright 2008 Universal Industrial Products, Inc. One Coreway Drive Pioneer, Ohio 43554-0628	SCALE: 1 : 1
	DRAWN BY: NNM
QUADRANT HINGE.	DATE: 5/01/11
MATERIAL: .042 AND .056 THICK BRASS	DRAWING # QUAD