

K-BXDBL234-2D

Weldable Box

Type: 2 1/8" Cylindrical

Dimensions:

4 3/4" W x 8 5/8" H x 2" D

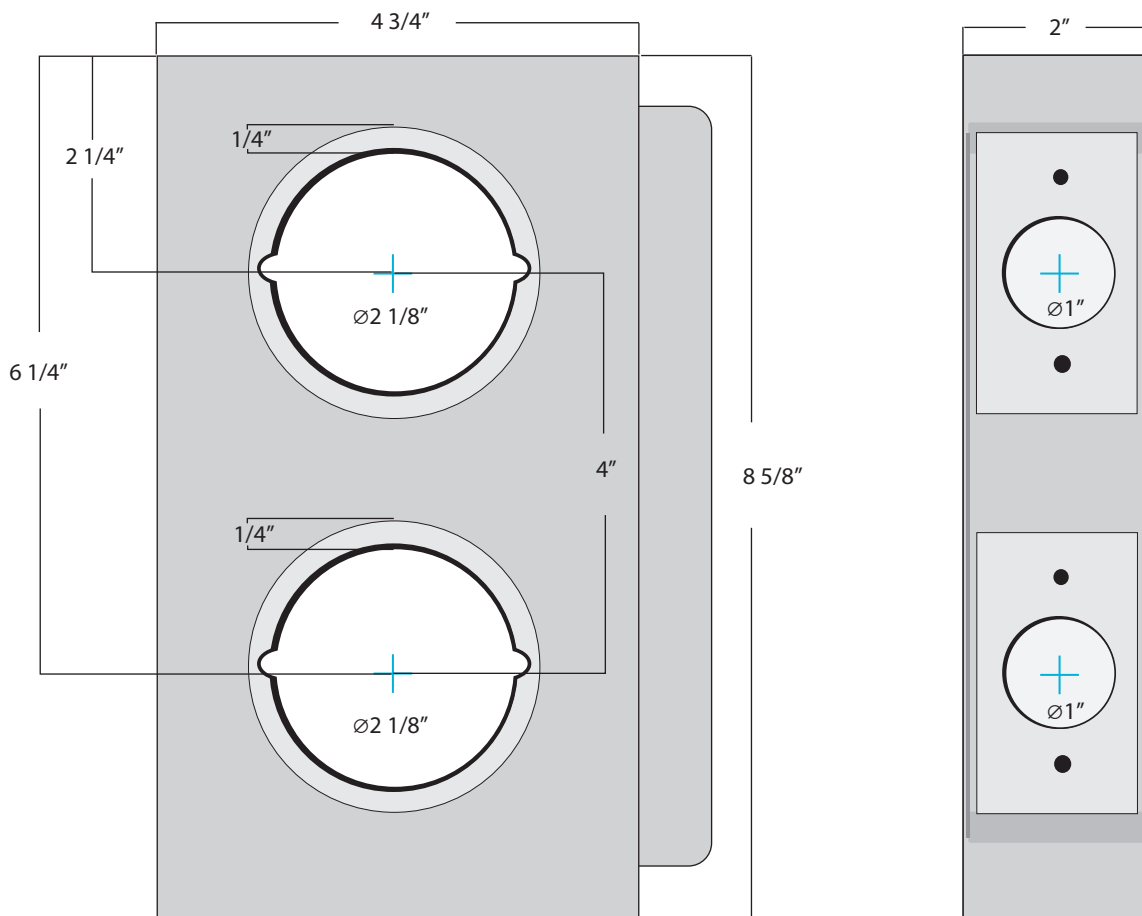
Backset: 2 3/4"

Materials Available:

14 Gauge Steel.....K-BXDBL234-2D

.125 Aluminum.....K-BXDBL234-2D-AL

Notes: 1/4" Inset/ center to center 4"



www.keedex.com • 714-993-4300

This rendering is NOT to scale and dimensions are NOT exact. For precise technical information, please refer to the template for the lock you are using.