

# K-BXSGL-ES Weldable Box

Type: Cylindrical

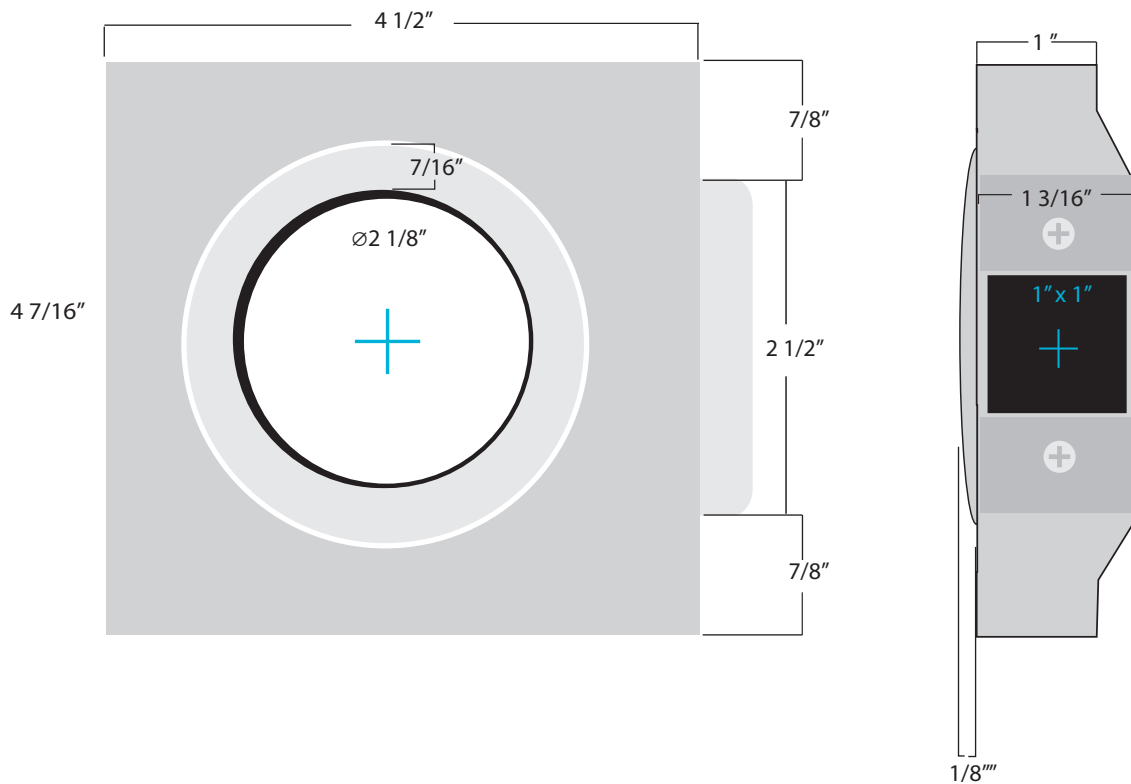
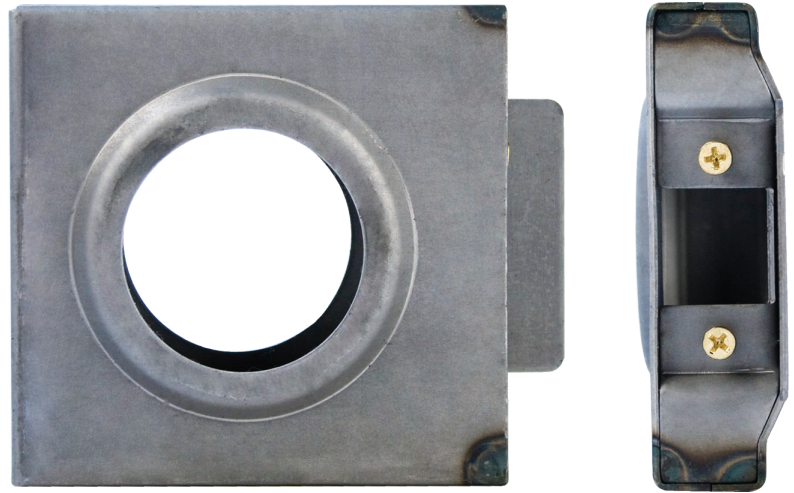
Dimensions:

4 1/2" W x 4 7/16" H x 1" D

Backset: 2 1/8"

Materials Available:

14 Gauge Steel.....K-BXSGL-ES



www.keeDEX.com • 714-993-4300

This rendering is NOT to scale and dimensions are NOT exact. For precise technical information, please refer to the template for the lock you are using.