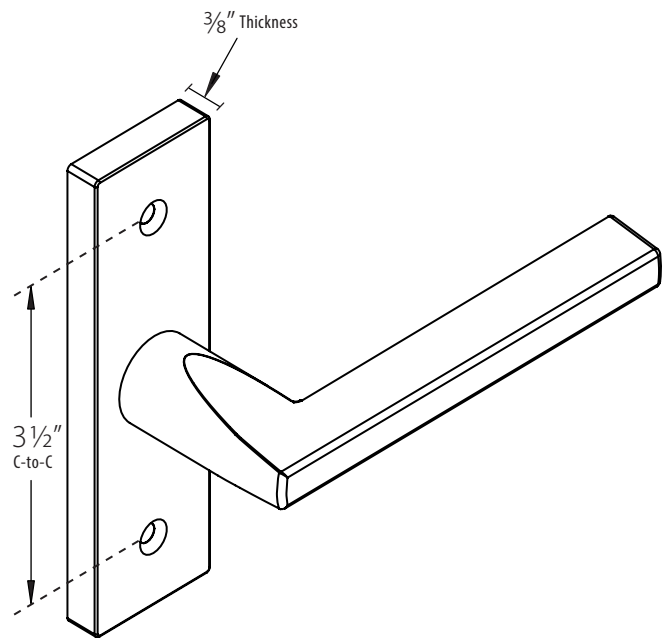
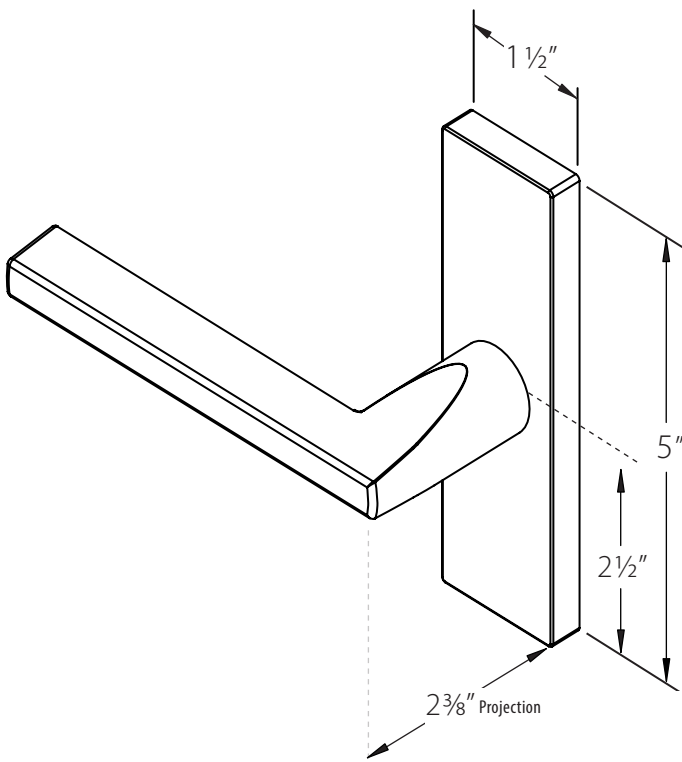


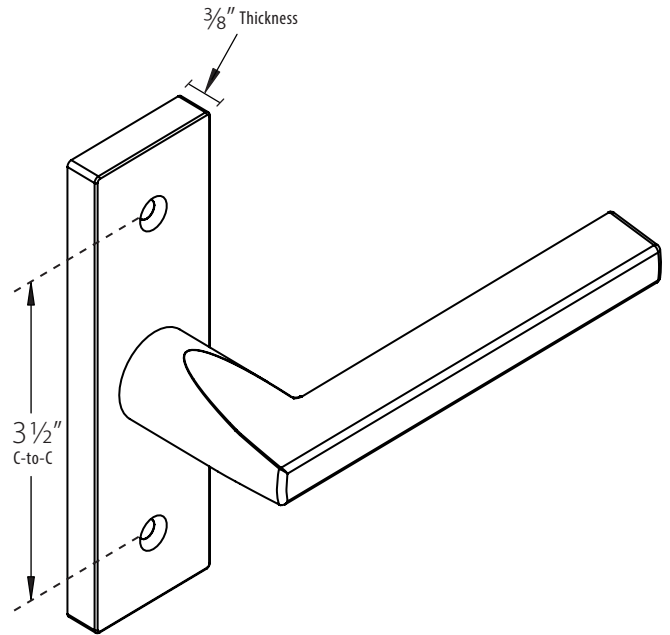
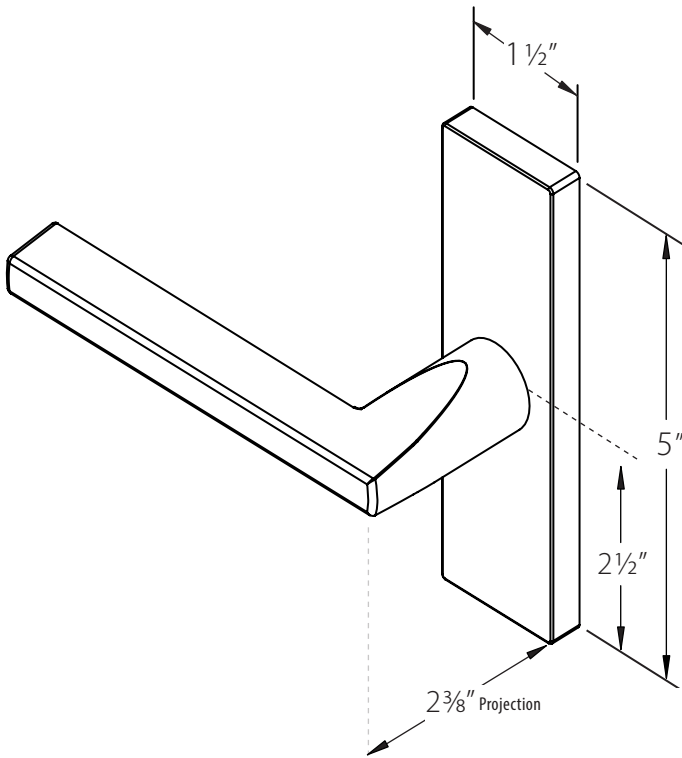
Outside Trim

Inside Trim

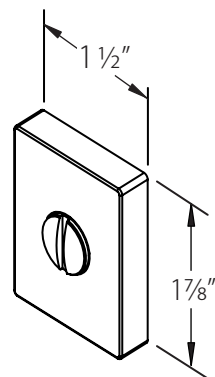


Outside Trim

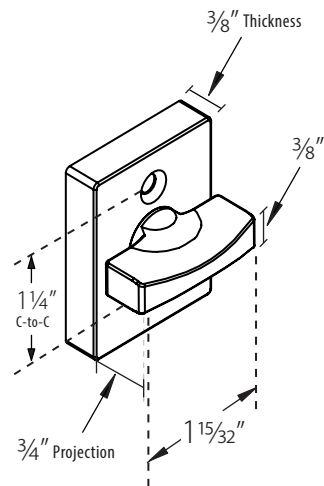
Inside Trim



Outside Thumbturn



Inside Thumbturn



Passage

Standard Door Thickness: 1 ¼" - 1 ¾"

Standard Components:

- Inside Passage Half Spindle
- ¾" Wood Screws
- 1 ½" and/or 2" Mounting Screws
- Full-Lip Strike Plate

Extended Door Thickness: 1 ¾" - 2 ¼"

Extended Components:

- Long Inside Passage Half Spindle
- ¾" Wood Screws
- 2 ½" Mounting Screws
- Extended Full-Lip Strike Plate

Extended Door Thickness: 2 ¼" - 3"

Extended Components:

- Extra Long Inside Passage Half Spindle
- ¾" Wood Screws
- 3" Mounting Screws
- Extended Full-Lip Strike Plate

Privacy

Standard Door Thickness: 1 ¼" - 1 ¾"

Standard Components:

- Regular Tailpiece
- Inside Passage Half Spindle
- ¾" Wood Screws
- 1 ½" and/or 2" Mounting Screws
- Full-Lip Strike Plate
- Deadbolt Strike Plate

Extended Door Thickness: 1 ¾" - 2 ¼"

Extended Components:

- Long Single Cylinder Tailpiece
- Long Inside Passage Half Spindle
- ¾" Wood Screws
- 2 ½" Mounting Screws
- Extended Full-Lip Strike Plate
- Deadbolt Strike Plate

Extended Door Thickness: 2 ¼" - 3"

Extended Components:

- Extra Long Single Cylinder Tailpiece
- Extra Long Inside Passage Half Spindle
- ¾" Wood Screws
- 3" Mounting Screws
- Extended Full-Lip Strike Plate
- Deadbolt Strike Plate

Dummy

Standard Door Thickness: 1 ¼" - 1 ¾"

Standard Components:

- 1 ½" and/or 2" Mounting Screws

Extended Door Thickness: 1 ¾" - 2 ¼"

Extended Components:

- 2 ½" Mounting Screws

Extended Door Thickness: 2 ¼" - 3"

Extended Components:

- 3" Mounting Screws