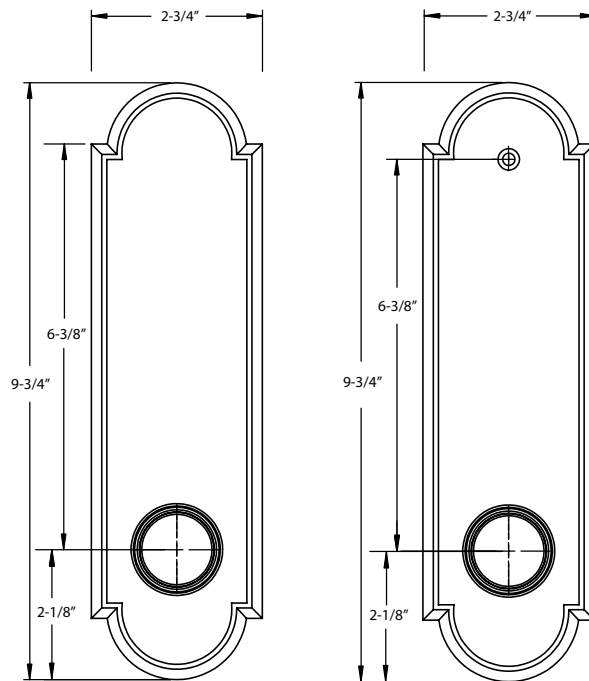


Annapolis Single Point  
Part# 5308/5358



Outside Trim

Inside Trim



**Door Thickness Specifications**

**Standard Door Thickness: 1 1/4" - 2"**

Standard Components:

- Inside Passage Half Spindle
- 1" Wood Screws
- Threaded Tubes & Machine Screws  
*Supplied upon request for Hollow-Core Doors*
- Full-Lip Strike Plate

**Extended Door Thickness: 1 3/4" - 2 1/4"**

Extended Components:

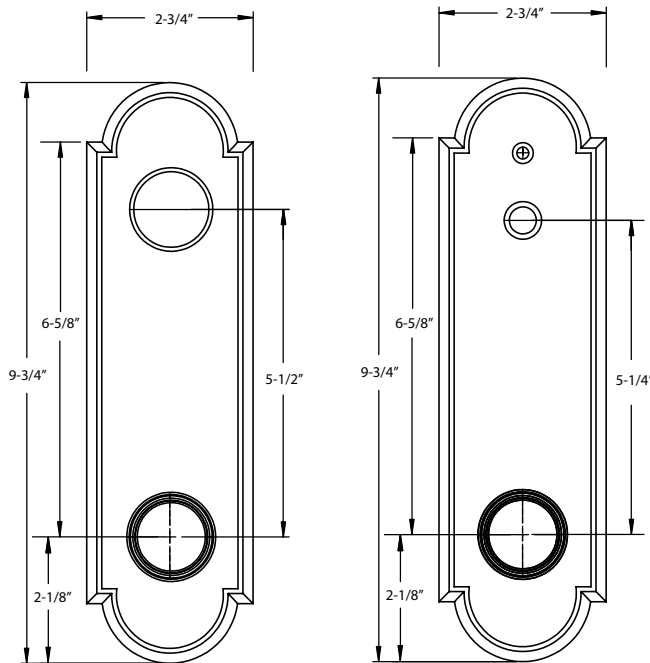
- Long Inside Passage Half Spindle
- 1" Wood Screws
- Threaded Tubes & Machine Screws  
*Supplied upon request for Hollow-Core Doors*
- 2 1/2" Deadbolt Mounting Screws
- Extended Full-Lip Strike Plate

Annapolis Two Point Single Cylinder  
Part# 5318



Outside Trim

Inside Trim



Door Thickness Specifications

**Standard Door Thickness: 1 1/4" - 1 3/4"**

Standard Components:

- Single Cylinder Tailpiece
- Inside Passage Half Spindle
- 1" Wood Screws
- Threaded Tubes & Machine Screws  
*Supplied upon request for Hollow-Core Doors*
- 2 1/4" Deadbolt Mounting Screws
- Full-Lip Strike Plate
- Deadbolt Strike Plate

**Extended Door Thickness: 1 3/4" - 2 1/4"**

Extended Components:

- Long Single Cylinder Tailpiece
- Long Inside Passage Half Spindle
- 1" Wood Screws
- Threaded Tubes & Machine Screws  
*Supplied upon request for Hollow-Core Doors*
- 2 1/2" Deadbolt Mounting Screws
- Extended Full-Lip Strike Plate
- Deadbolt Strike Plate

**Extended Door Thickness: 2 1/4" - 2 3/4"**

Extended Components:

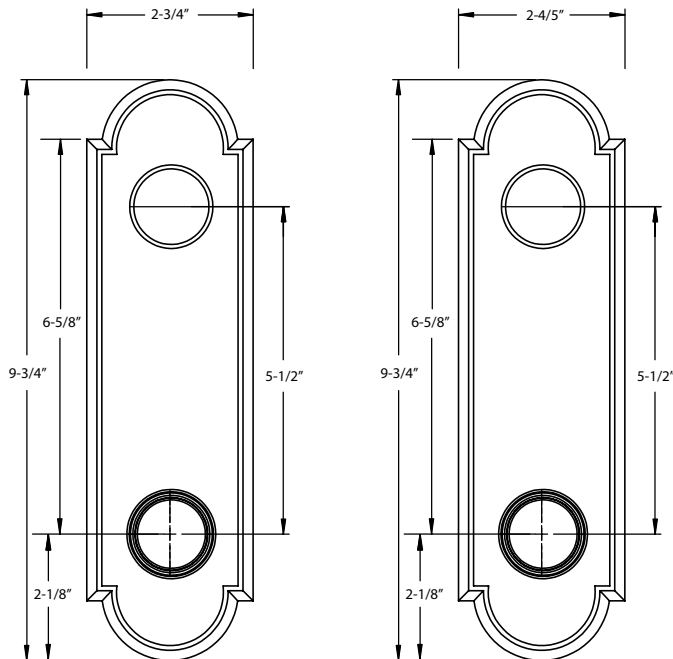
- Extra Long Single Cylinder Tailpiece
- Extra Long Inside Passage Half Spindle
- 1" Wood Screws
- Threaded Tubes & Machine Screws  
*Supplied upon request for Hollow-Core Doors*
- 3" & 3 1/2" Deadbolt Mounting Screws
- Extended Full-Lip Strike Plate
- Deadbolt Strike Plate

Annapolis Two Point Double Cylinder  
Part #5328



Outside Trim

Inside Trim



Door Thickness Specifications

**Standard Door Thickness: 1 5/8" - 1 3/4"**

Standard Components:

- Double Cylinder Tailpiece
- Inside Passage Half Spindle
- 1" Wood Screws
- Threaded Tubes & Machine Screws
- Supplied upon request for Hollow-Core Doors*
- 3" Deadbolt Mounting Screws
- Full-Lip Strike Plate
- Deadbolt Strike Plate

**Extended Door Thickness: 1 3/4" - 2 1/2"**

Extended Components:

- Long Double Cylinder Tailpiece
- Long Inside Passage Half Spindle
- 1" Wood Screws
- Threaded Tubes & Machine Screws
- Supplied upon request for Hollow-Core Doors*
- 3 1/2" Deadbolt Mounting Screws
- Extended Full-Lip Strike Plate
- Deadbolt Strike Plate