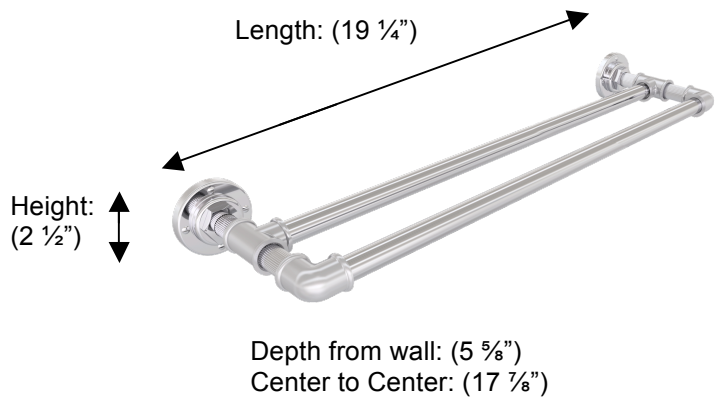




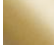
POMBO™ INDUSTRIAL

PI145045 Double Towel Rail, 18"

**Description:**

Double Towel Rail, 18"

Finishes:

-  CR – Chrome
-  PV – Polished Brass
-  UB – Unlacquered Brass

Material:

Brass

Backplate: (2 1/2")

Method of Attachment:

Direct to wall

Country of Origin:

Portugal



All Dimensions are approximate