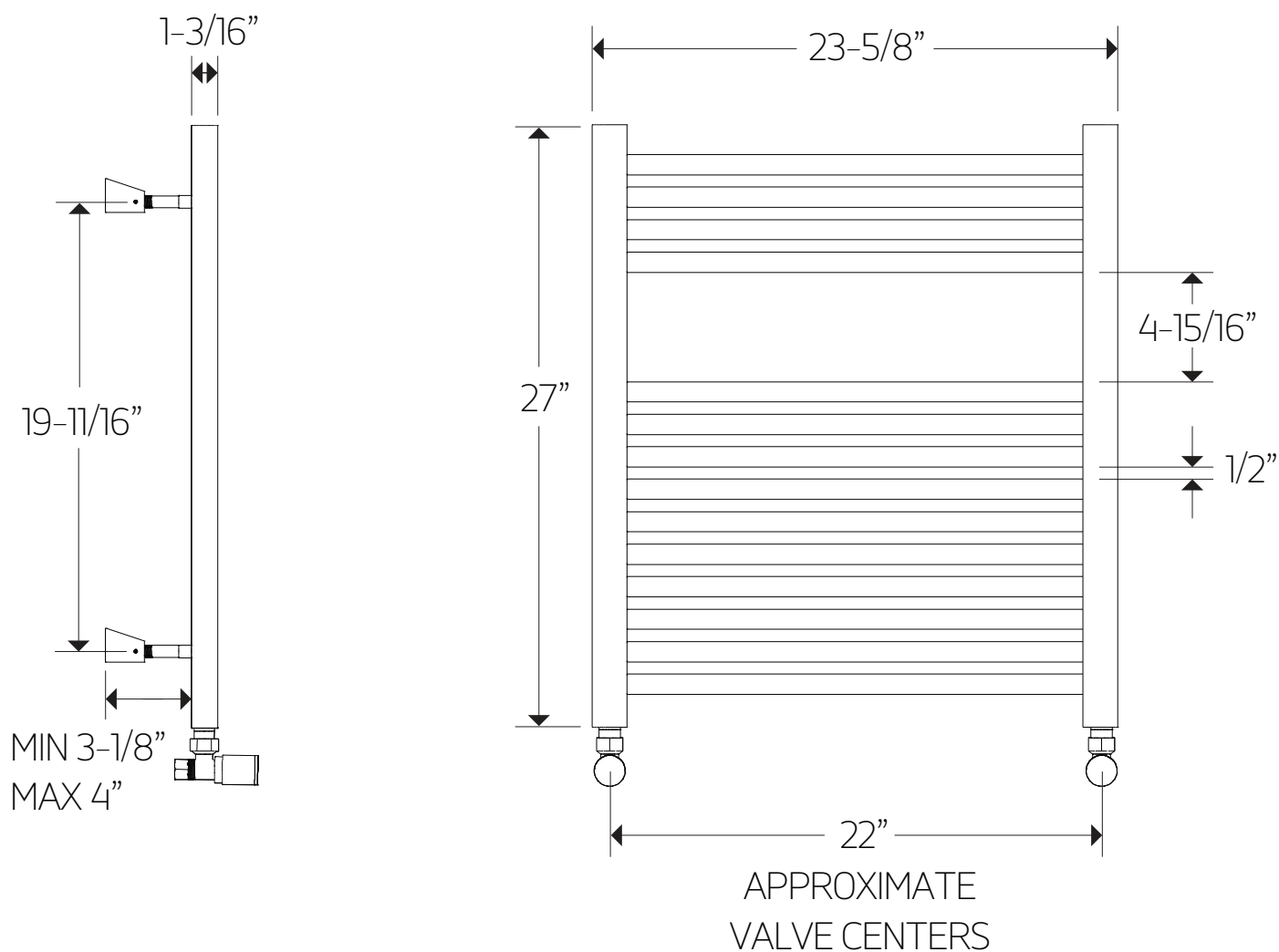




## M06860H

## TECHNICAL DATA SHEET

denby towel warmer,  
hydraulic



# artos

M06860H

denby towel warmer,  
hydronic

## OPERATING SPECIFICATIONS



### FEATURES

Towel warming, drying and auxiliary heating.

### ELEMENT

1845 BTU

1/2" BSPT tapings.

### REQUIREMENTS

Towel warmers must be used in a closed water system, incorporating a rust inhibitor.