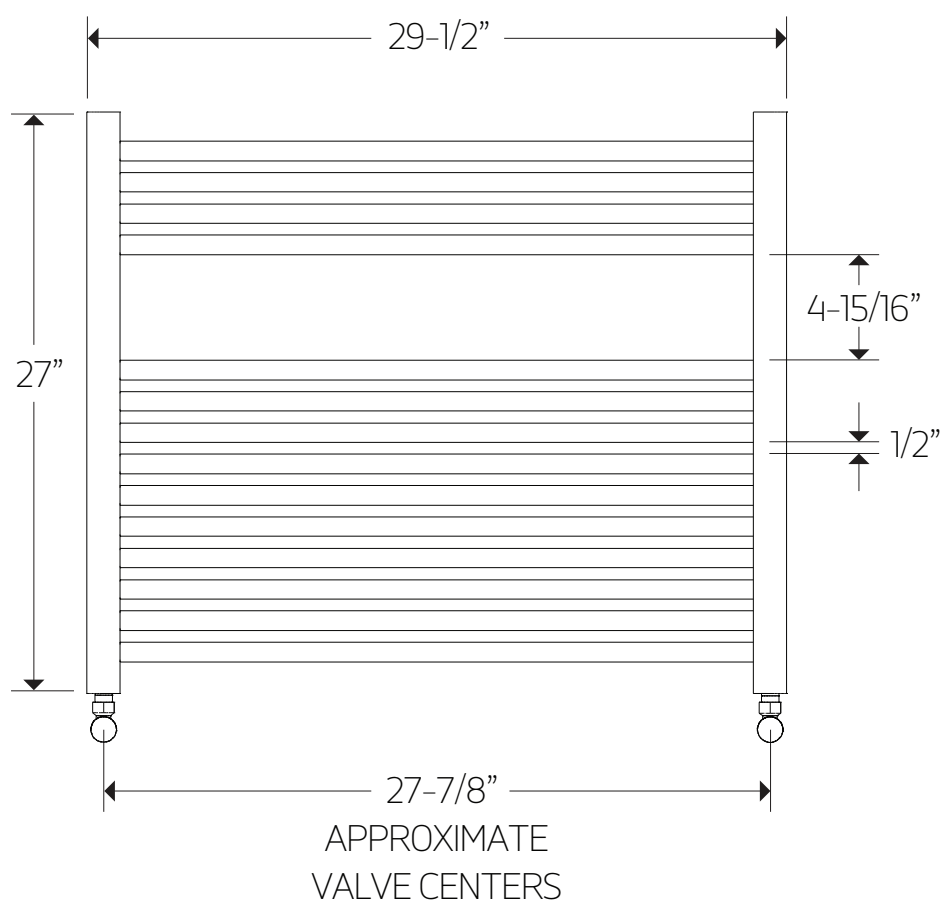
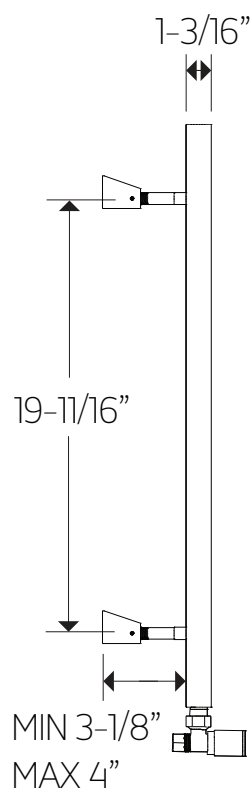




## M06875H

## TECHNICAL DATA SHEET

denby towel warmer,  
hydronic



# artos

M06875H

denby towel warmer,  
hydronic

## OPERATING SPECIFICATIONS



### FEATURES

Towel warming, drying and auxiliary heating.

### ELEMENT

2305 BTU

1/2" BSPT tappings.

### REQUIREMENTS

Towel warmers must be used in a closed water system, incorporating a rust inhibitor.