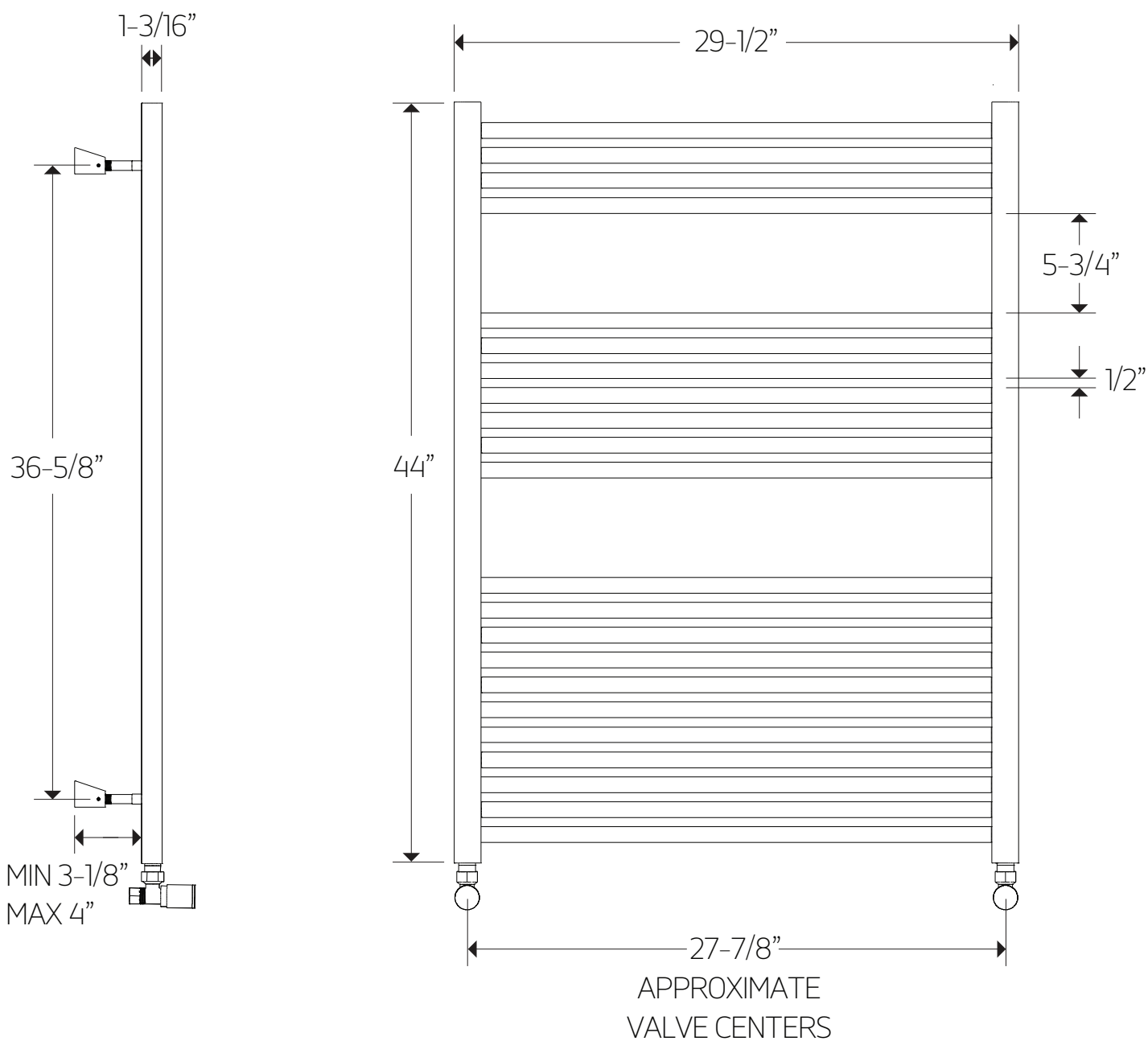




M11175H

TECHNICAL DATA SHEET

denby towel warmer,
hydronic



artos

M11175H

OPERATING SPECIFICATIONS

denby towel warmer,
hydronic



FEATURES

Towel warming, drying and auxiliary heating.

ELEMENT

3588 BTU

1/2" BSPT tapings.

REQUIREMENTS

Towel warmers must be used in a closed water system, incorporating a rust inhibitor.