

# artos<sup>®</sup>

## M11145H

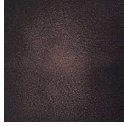
## INSTALLATION GUIDE

denby towel warmer,  
hydronic

BRUSHED NICKEL(BN)



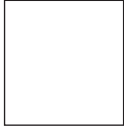
OIL RUBBED BRONZE(OB)



CHROME(CH)



WHITE(WH)



POLISHED NICKEL(PN)



BLACK(BK)



M11145H

denby towel warmer,  
hydronic

## OPERATING SPECIFICATIONS



### FEATURES

Towel warming, drying and auxiliary heating.

### HEAT OUTPUT

1756 BTU

### CODES

UL Approved  
CSA-US Approved

### REQUIREMENTS

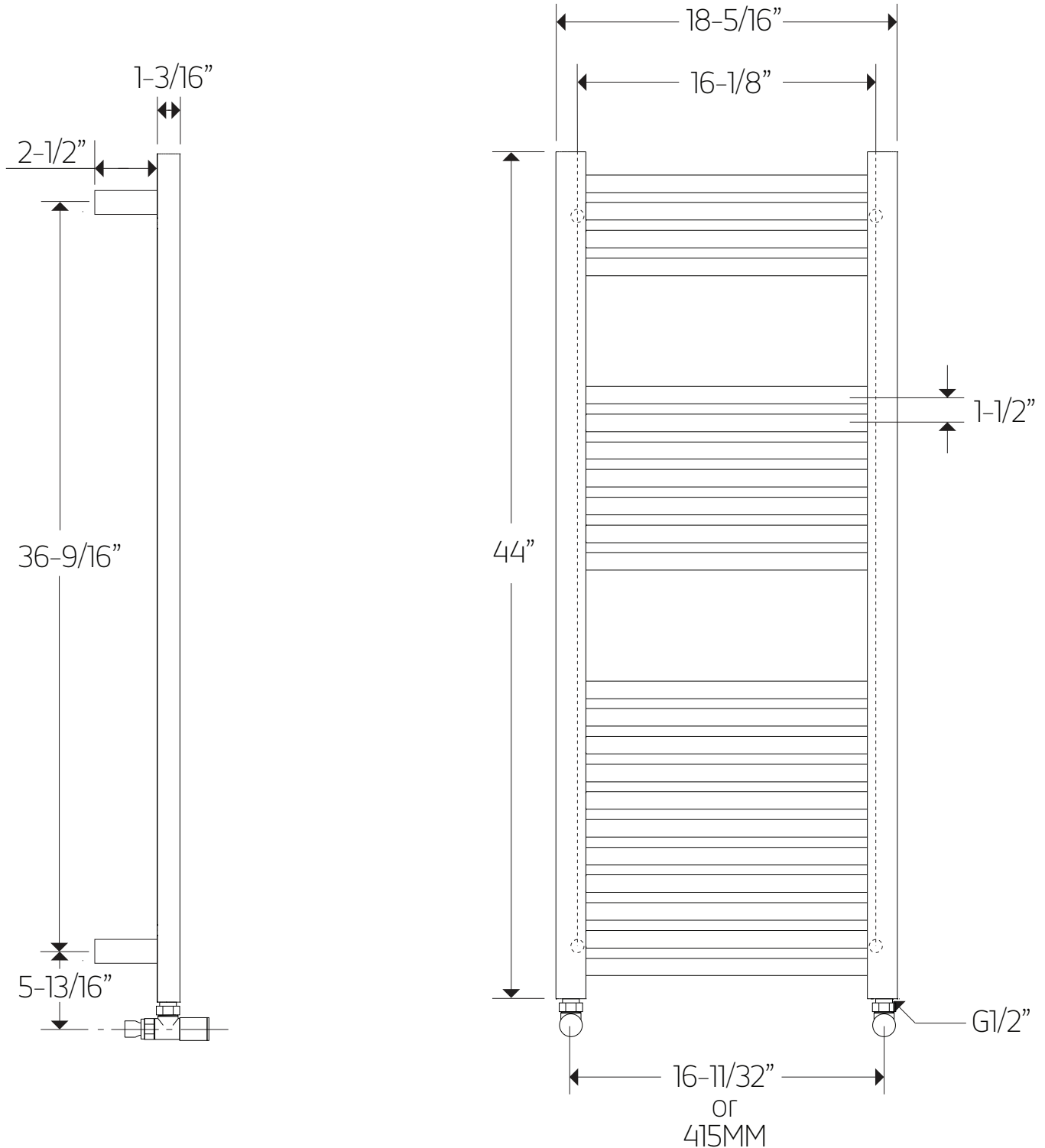
Towel warmers must be used in a closed water system, incorporating a rust inhibitor.

# artos<sup>®</sup>

M11145H

## PRODUCT DIMENSIONS

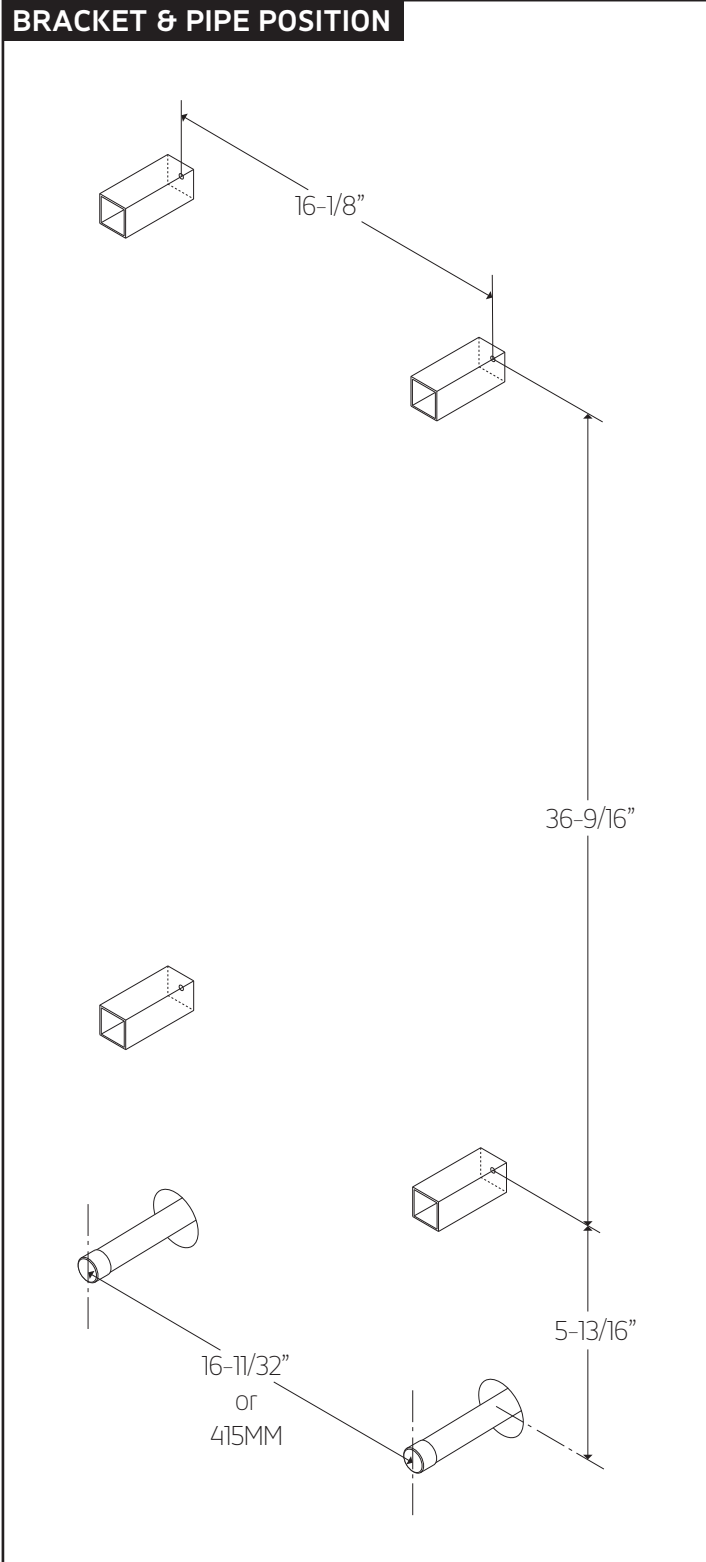
denby towel warmer,  
hydronic



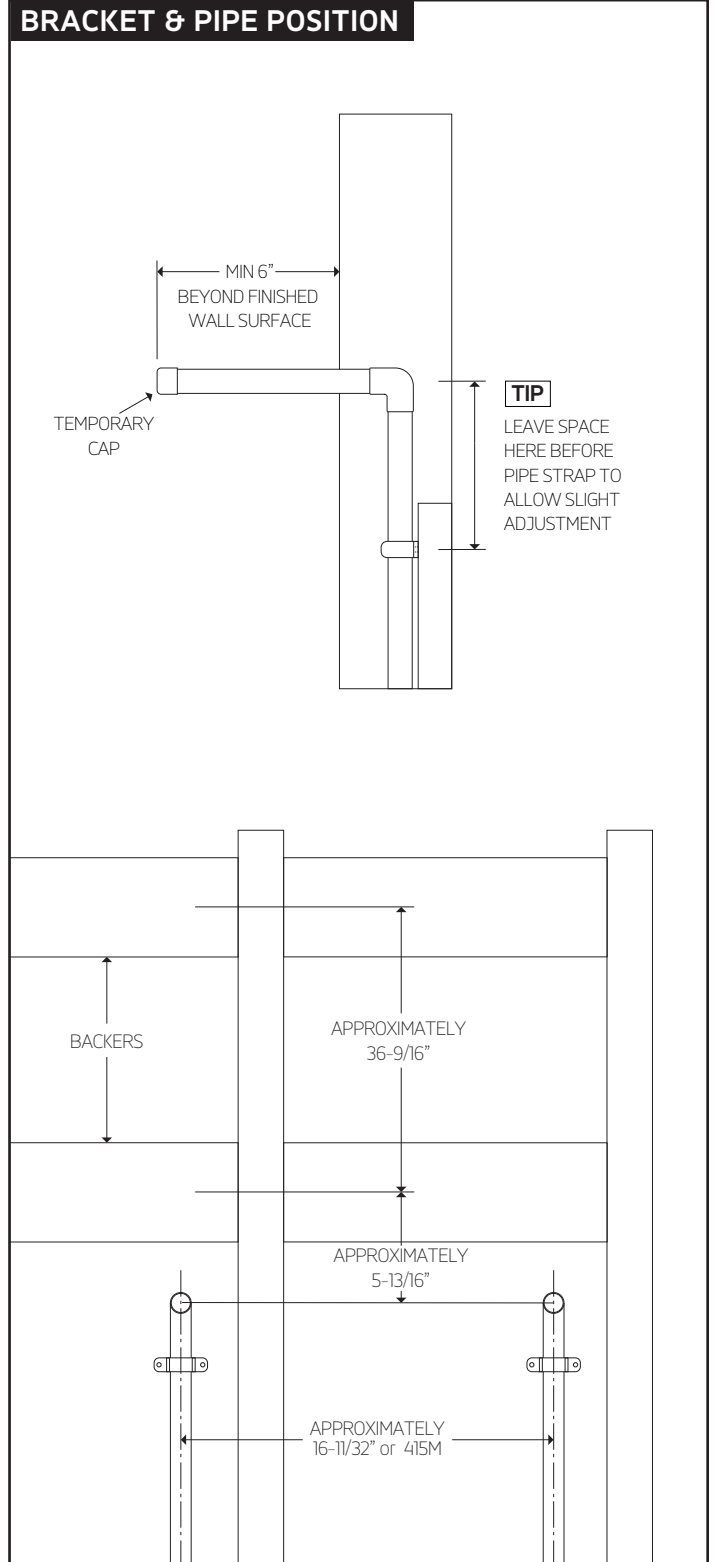
# M11145H

denby towel warmer,  
hydraulic

## BRACKET & PIPE POSITION

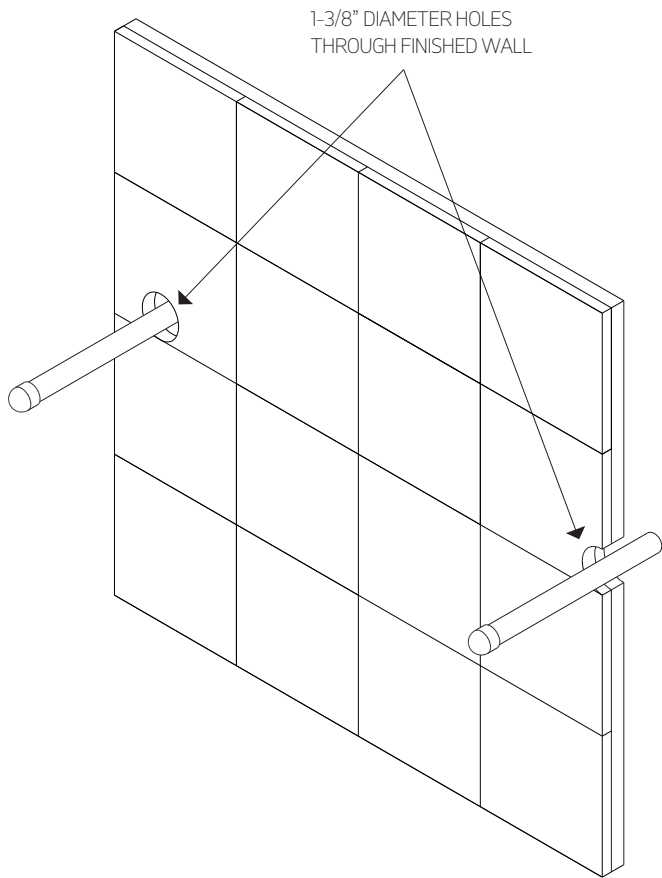


## BRACKET & PIPE POSITION

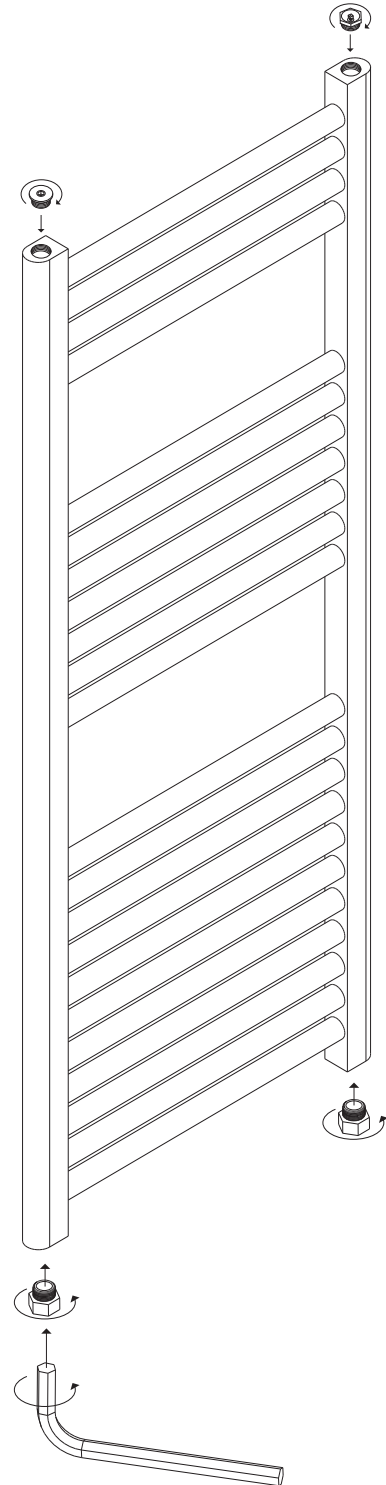


# INSTALLATION STEPS

## STEP 1



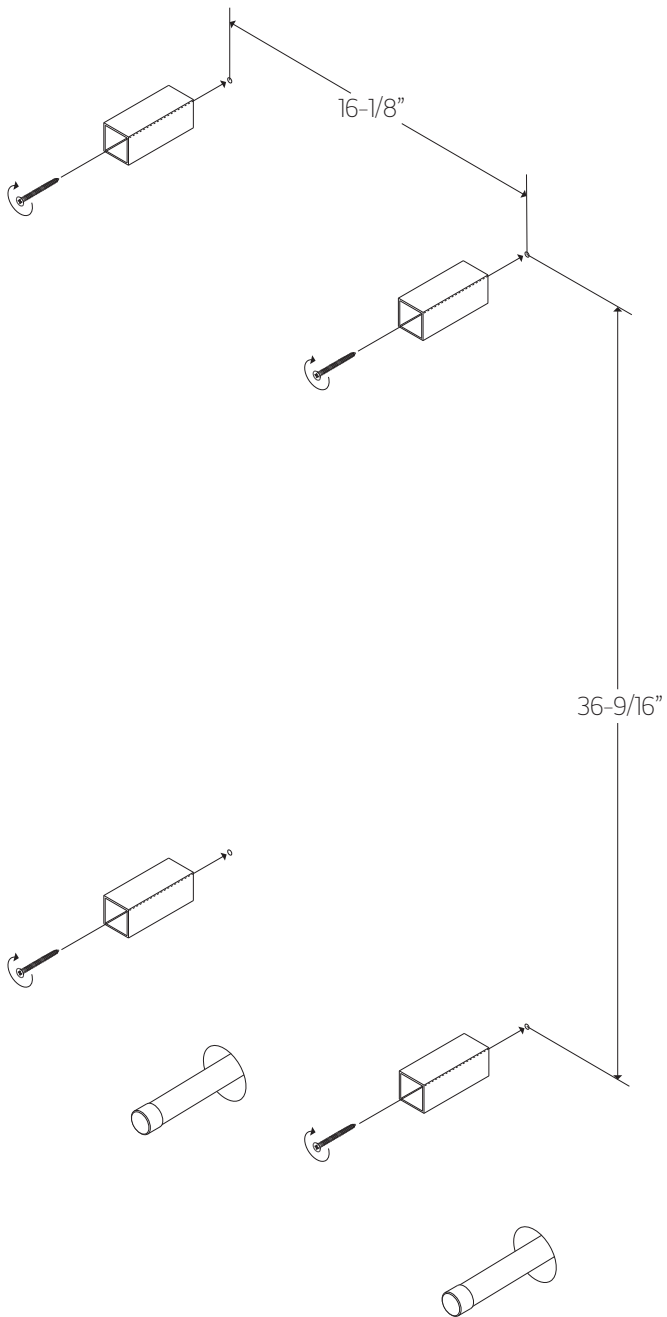
## STEP 2



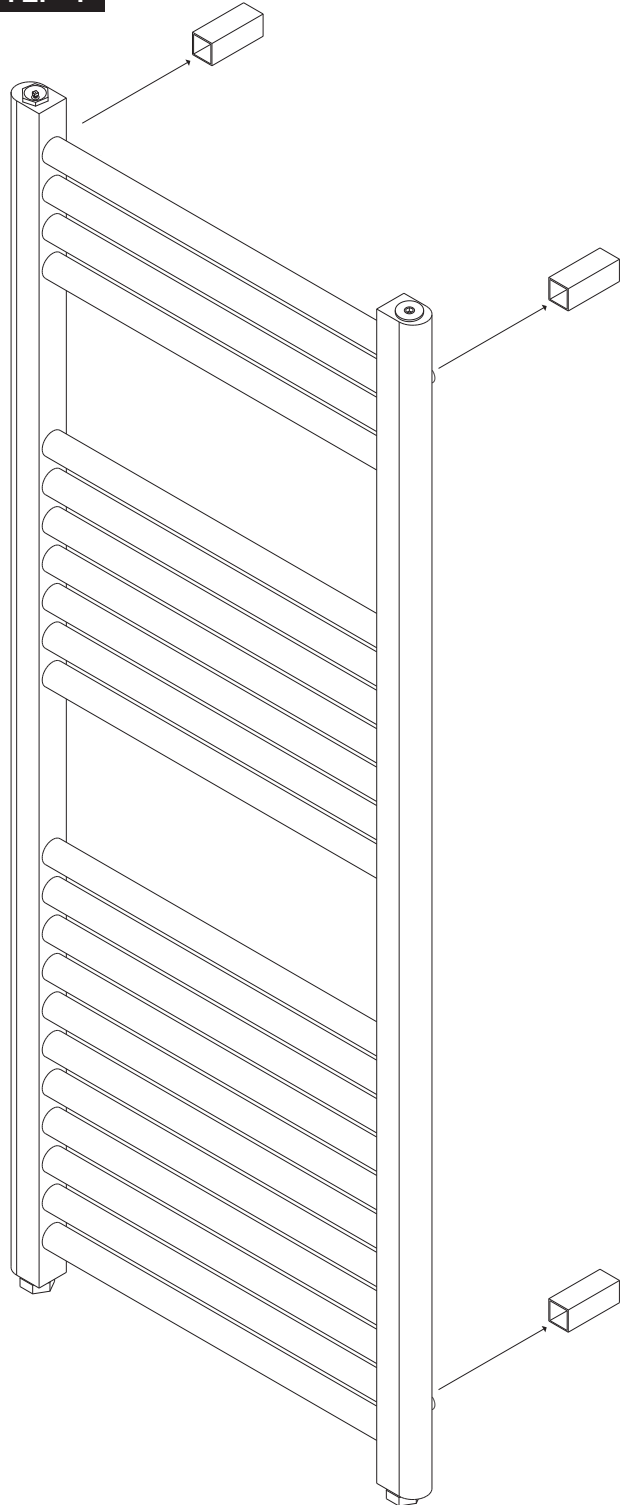
# M11145H

denby towel warmer,  
hydronic

## STEP 3 INSTALL BRACKETS: MEASURE TOWEL WARMER FRAME FOR EXACT BRACKET SPACING BEFORE INSTALLATION

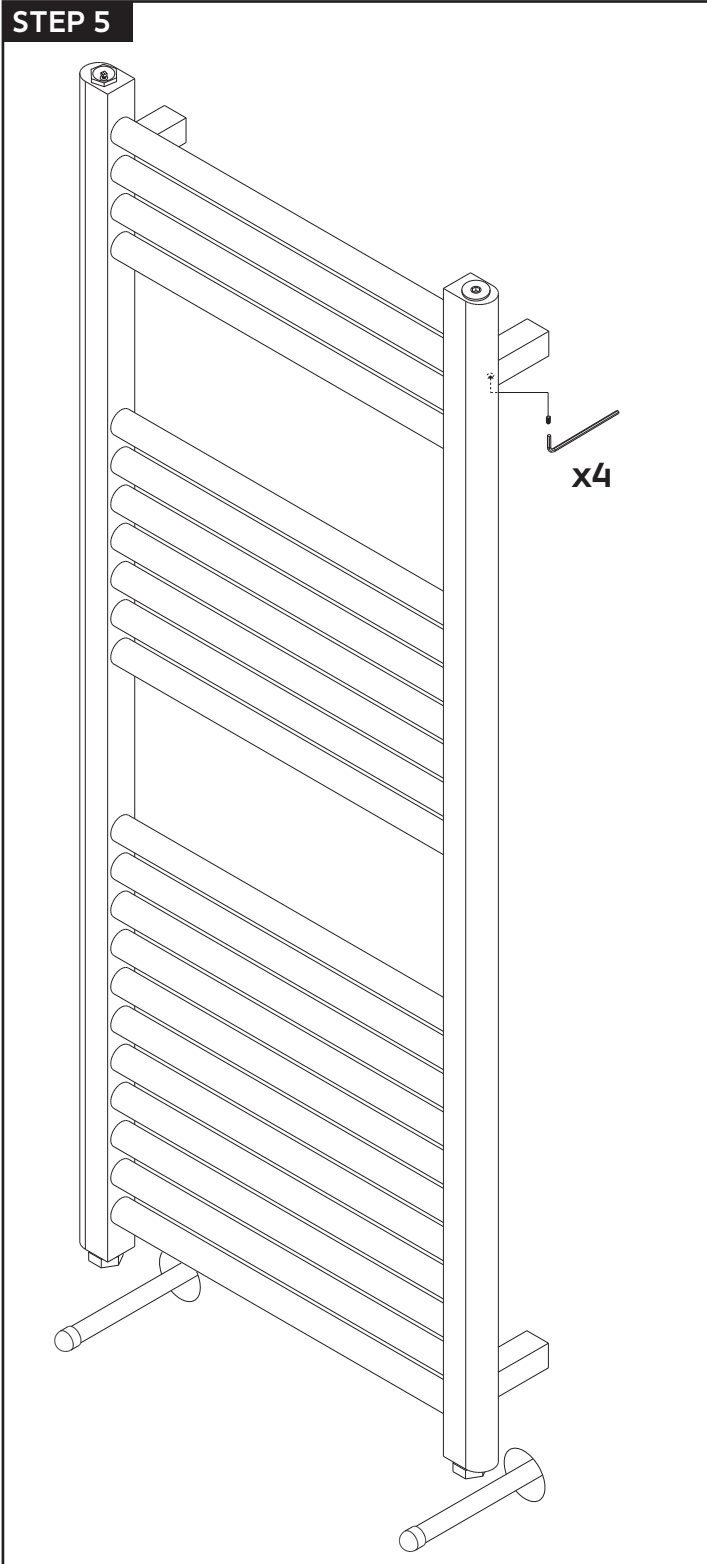


## STEP 4

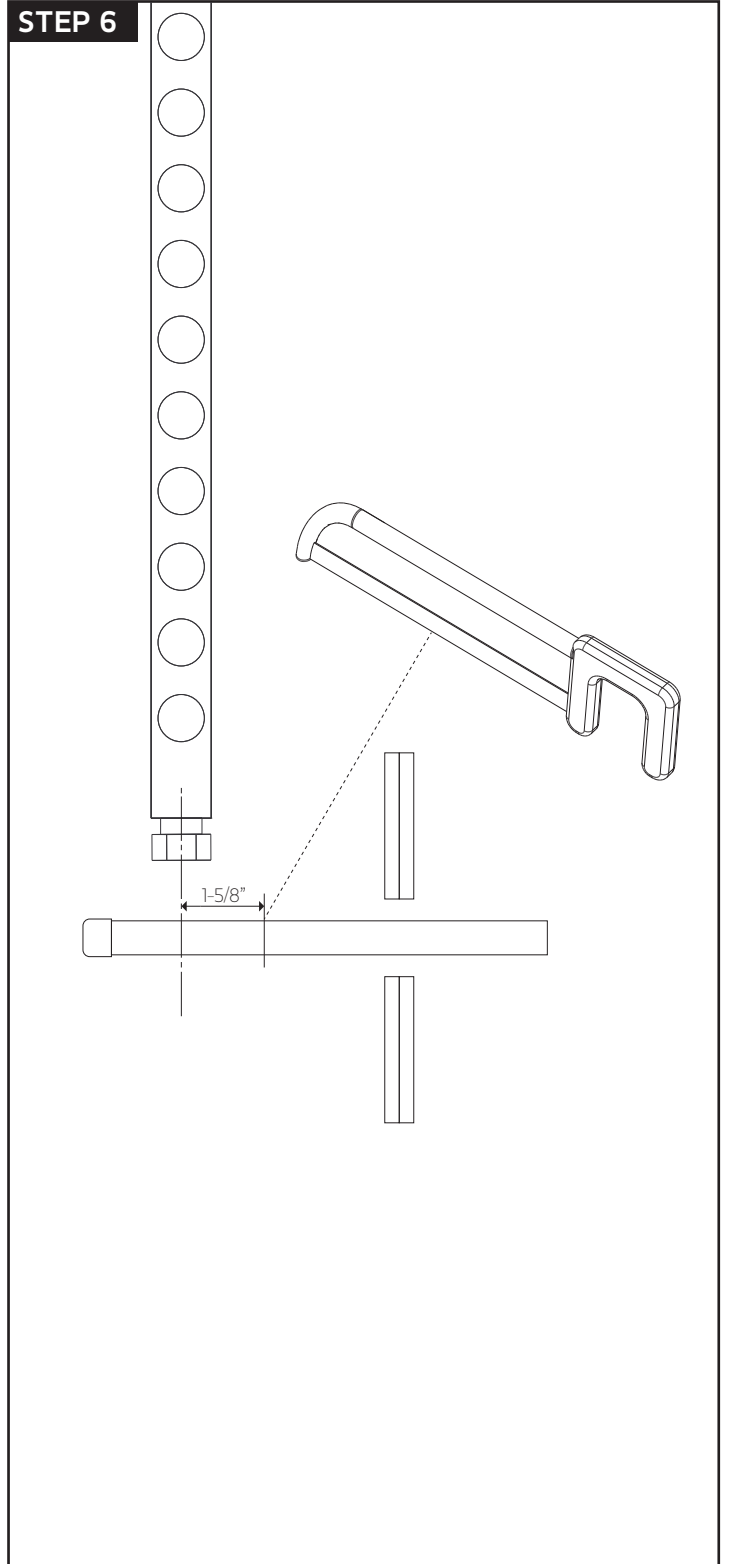


# INSTALLATION STEPS

## STEP 5



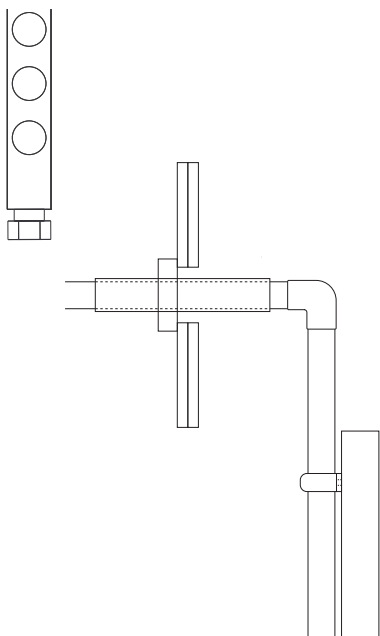
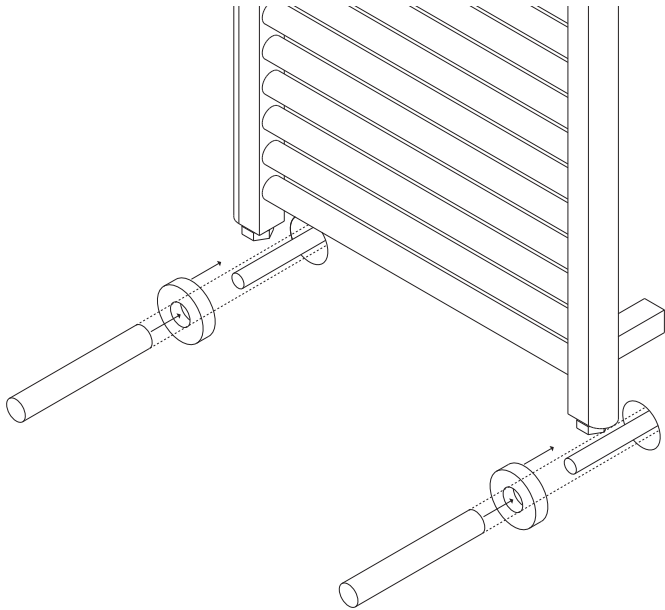
## STEP 6



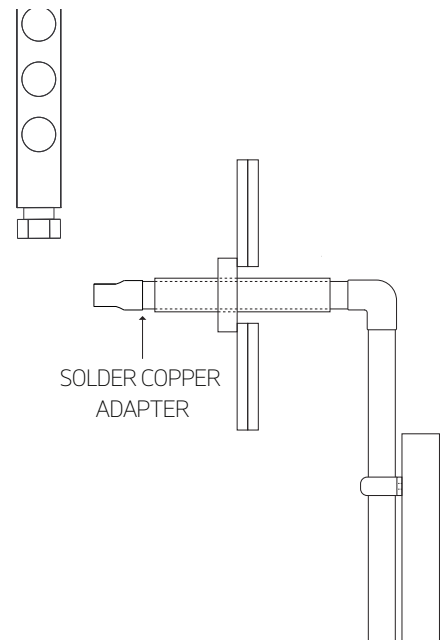
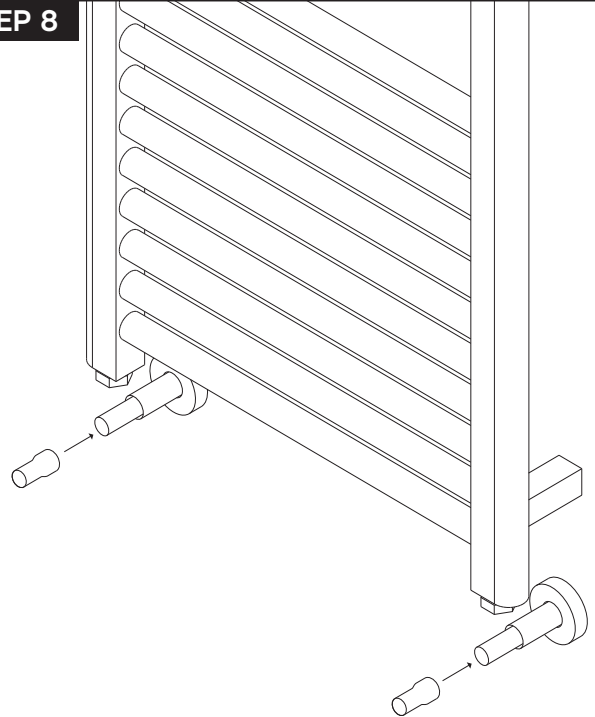
# M11145H

denby towel warmer,  
hydronic

**STEP 7** NOTE: IF NOT USING PIPE COVER SLEEVES- GO TO THE NEXT STEP



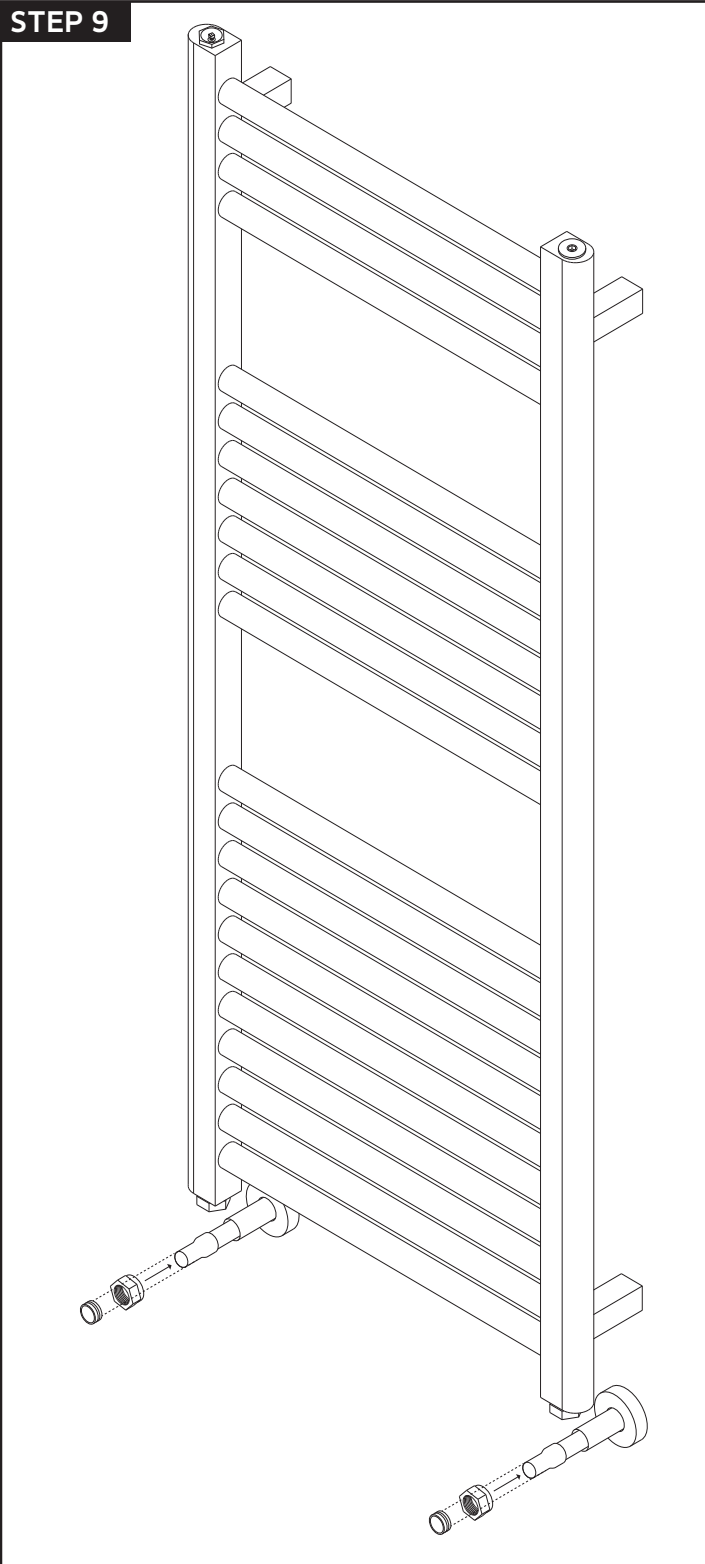
**STEP 8**



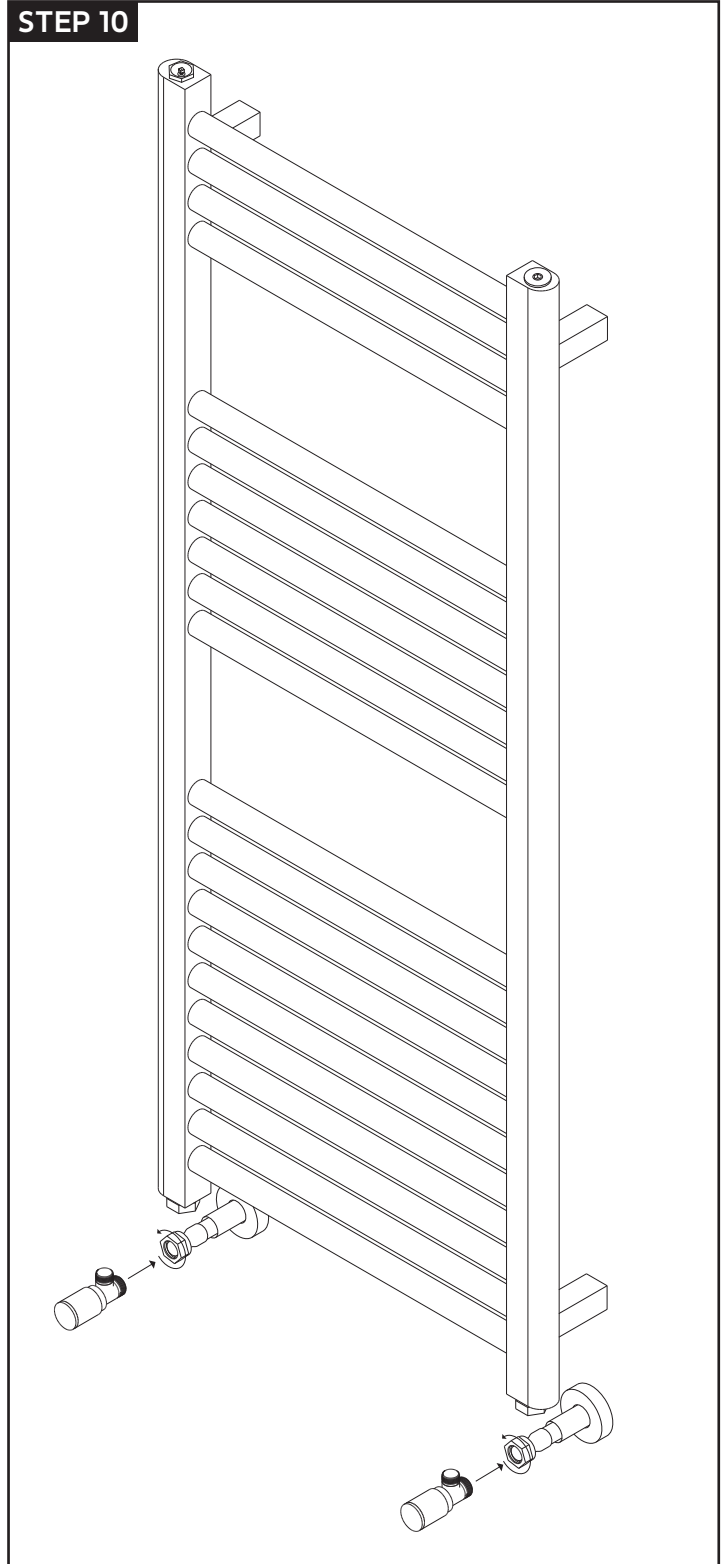


# INSTALLATION STEPS

STEP 9



STEP 10

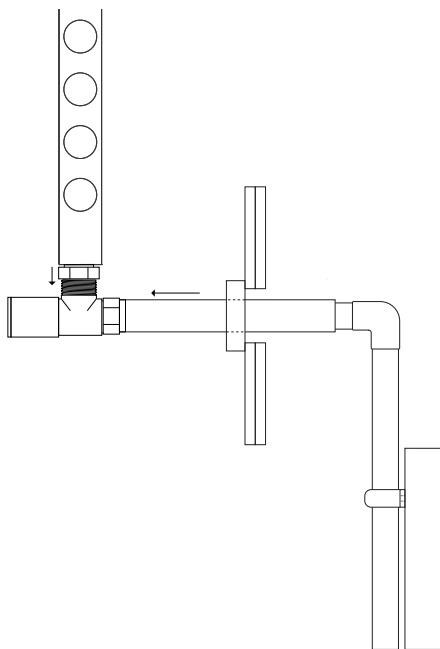
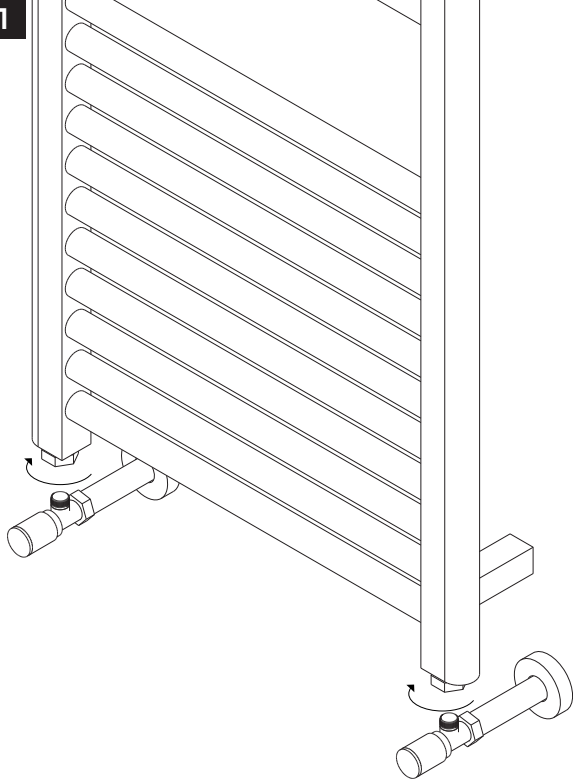


M11145H

## INSTALLATION STEPS

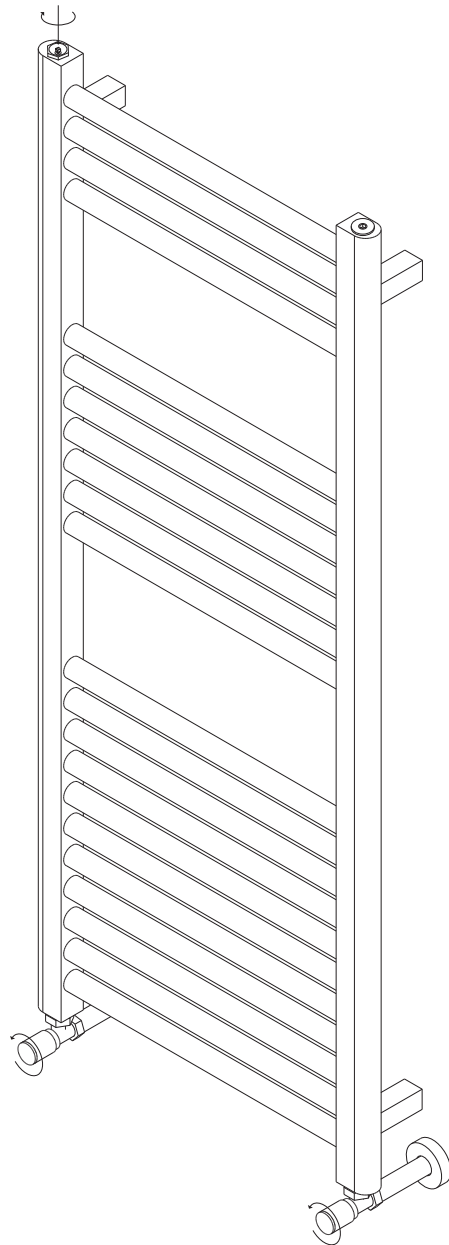
denby towel warmer,  
hydraulic

### STEP 11

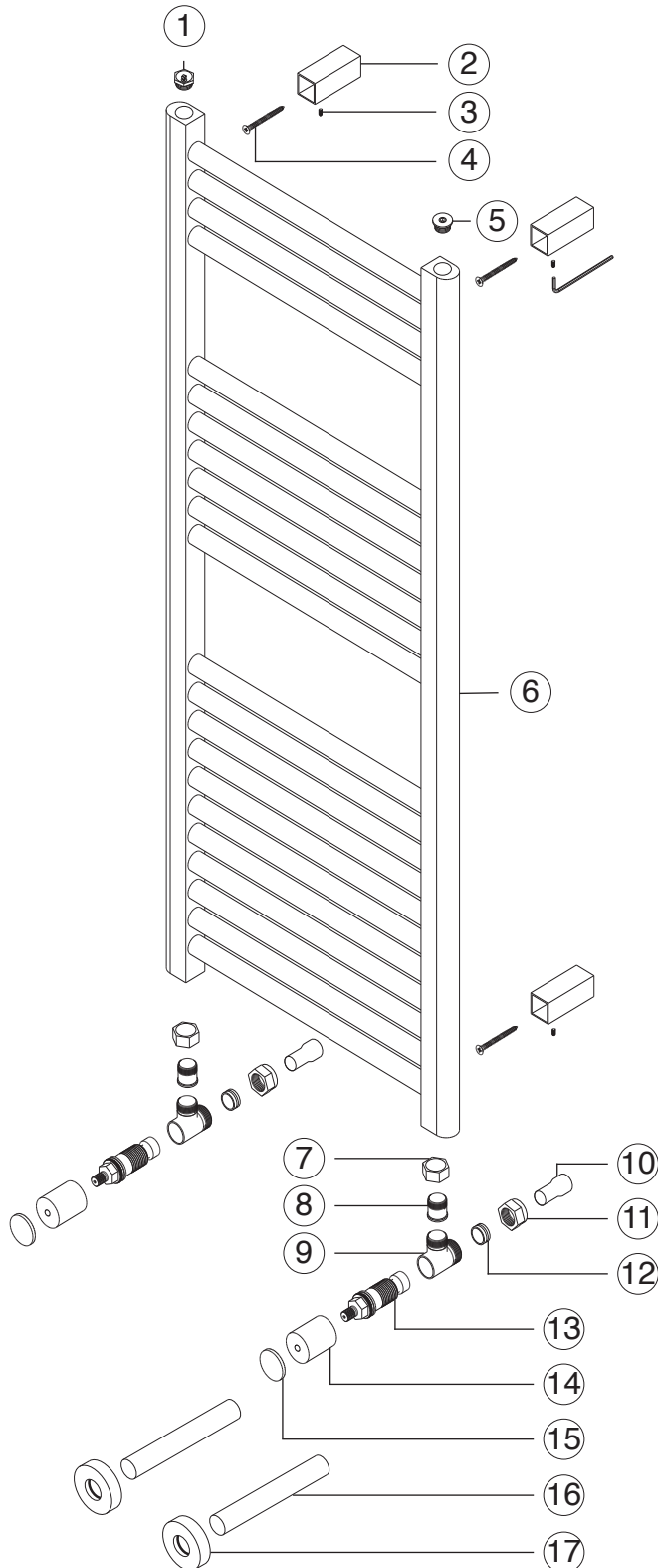


### STEP 12 CAUTION HOT WATER

**BLEED TOWEL WARMER:  
LOOSEN PRESSURE RELEASE SCREW, OPEN SUPPLY  
AND RETURN VALVE, ALLOW WATER TO FILL THE  
TOWEL WARMER, TIGHTEN PRESSURE RELEASE  
SCREW WHEN WATER APPEARS**



denby towel warmer,  
hydronic



- ① **PRESSURE RELEASE CAP** M11145H XP1
- ② **BRACKET(4)** M11145H XP2
- ③ **BRACKET SET SCREW(4)** M11145H XP3
- ④ **BRACKET SCREW(4)** M11145H XP4
- ⑤ **BLANKING CAP** M11145H XP5
- ⑥ **TOWEL WARMER** M11145H X6
- ⑦ **VALVE NUT(2)** M11145H XP7
- ⑧ **MALE STEM (2)** M11145H XP8
- ⑨ **VALVE BODY (2)** M11145H XP9
- ⑩ **COPPER PIPE ADAPTOR (2)** M11145H XP10
- ⑪ **COPPER PIPE VALVE NUT (2)** M11145H XP11
- ⑫ **COMPRESSION RING (2)** M11145H XP12
- ⑬ **CARTRIDGE (2)** M11145H XP13
- ⑭ **VALVE HANDLE(2)** M11145H XP14
- ⑮ **HANDLE CAP (2)** M11145H XP15

### SOLD SEPARATELY

- ⑯ **VALVE TAIL(2)** PX60 XP16
- ⑰ **ESCUTCHEON(2)** PX60 XP17

### **Artos® Warranty Decorative Towel Dryers**

Artos® towel dryers have been manufactured under the highest quality and manufacturing standards.

Artos® towel dryers have a 5-year warranty against leaks and manufacturing defects to the finish. The heating element itself has a 2-year warranty.

#### **For best results, keep the following in mind to retain the high quality finish of your Artos towel warmer:**

- Use a soft, dampened sponge or cloth. On no account should you use a abrasive material such as a brush, scouring pad or steel wool to clean surfaces.
- Test your cleaning agent solution on an inconspicuous area before applying to the entire faucet.
- Wipe surfaces clean and rinse completely with water immediately after applying cleaning agent.
- An ideal cleaning technique is to rinse faucet thoroughly and blot dry an water from the surface after each use.

This warranty applies to installations in the US, Canada and Mexico (North America). Commercial, Industrial or business uses are warranted for a period of one year from the original date of purchase. This warranty is non-transferable and applies exclusively to the original owner or end-user.

If a defect is found during normal use, Artos® will, at its election, repair, replace or make an appropriate adjustment. Damage caused by accident, misuse, abuse, improper installation or alteration will void the warranty.

This warranty does not cover replacement parts where damage is caused by normal wear and tear. Labor charges, installation or other incidental or consequential costs will not be covered. Replacement parts that qualify for warranty repair can be obtained by contacting Artos® at 1-877-9ARTOS9 or by e-mail at [info@artos.us.co](mailto:info@artos.us.co)

Proof of purchase (original sales receipt) from the original consumer purchaser must accompany all warranty claims. When submitting your claim in writing, please provide your name, address and telephone number.