

artos[®]

M17245W

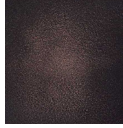
INSTALLATION GUIDE

denby towel warmer,
hardwired

BRUSHED NICKEL(BN)



OIL RUBBED BRONZE(OB)



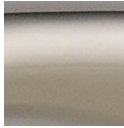
CHROME(CH)



WHITE(WH)



POLISHED NICKEL(PN)



BLACK(BK)



M17245W

denby towel warmer,
hardwired

OPERATING SPECIFICATIONS



FEATURES

Towel warming, drying and auxiliary heating.

ELEMENT

400W, 110V

CODES

UL Approved
CSA-US Approved

REQUIREMENTS

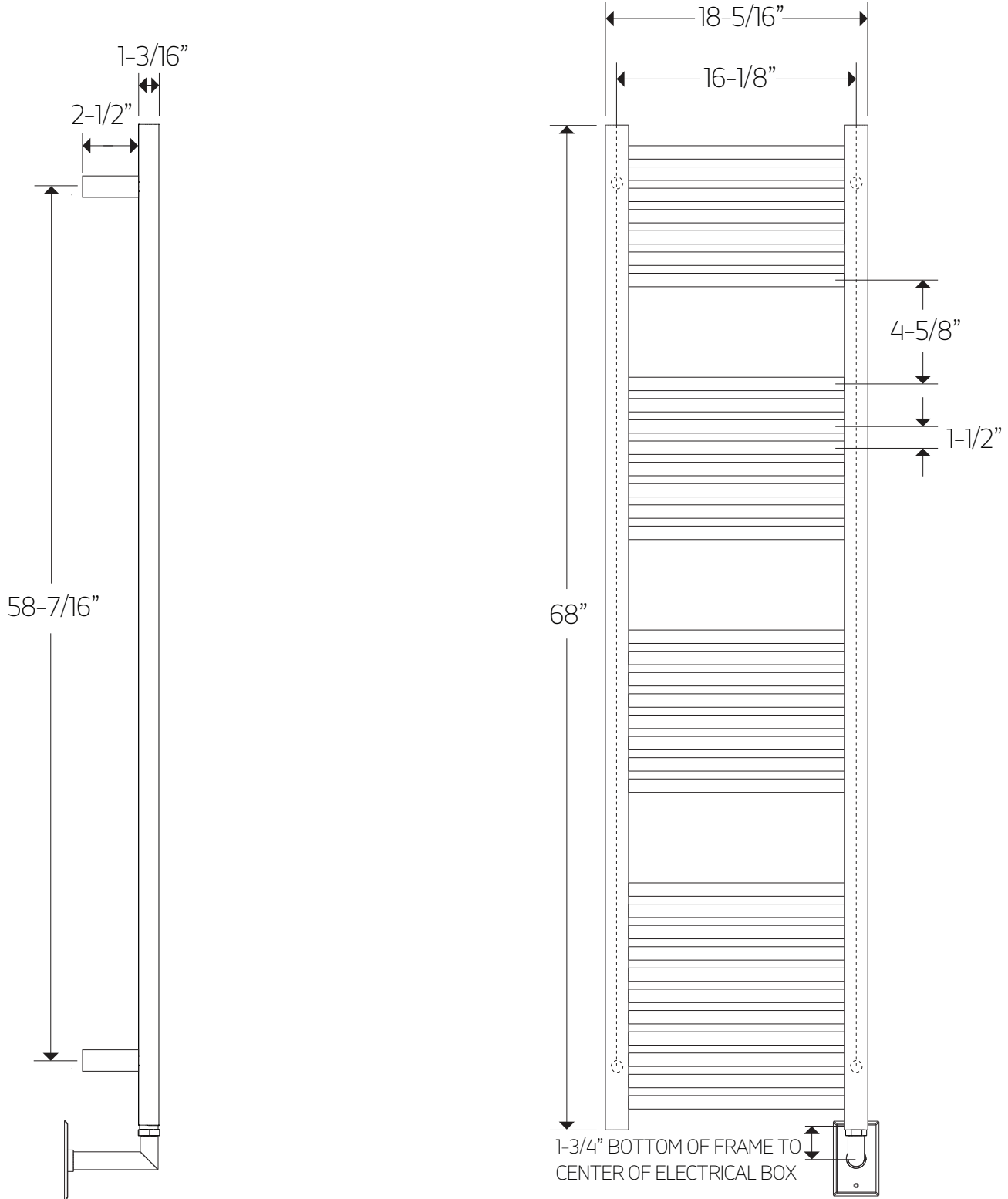
The towel warmer must be installed so that the Element is at the bottom.

artos[®]

M17245W

denby towel warmer,
hardwired

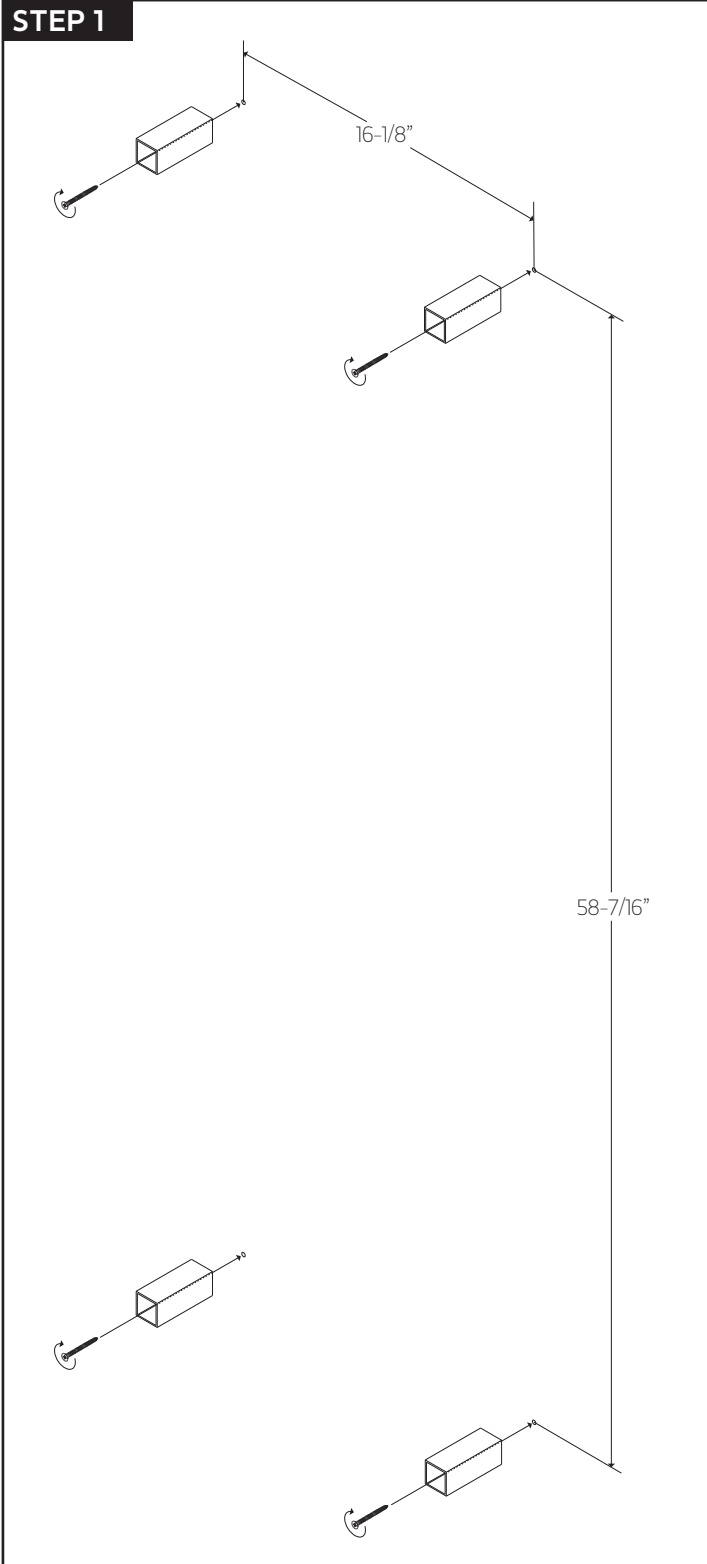
PRODUCT DIMENSIONS



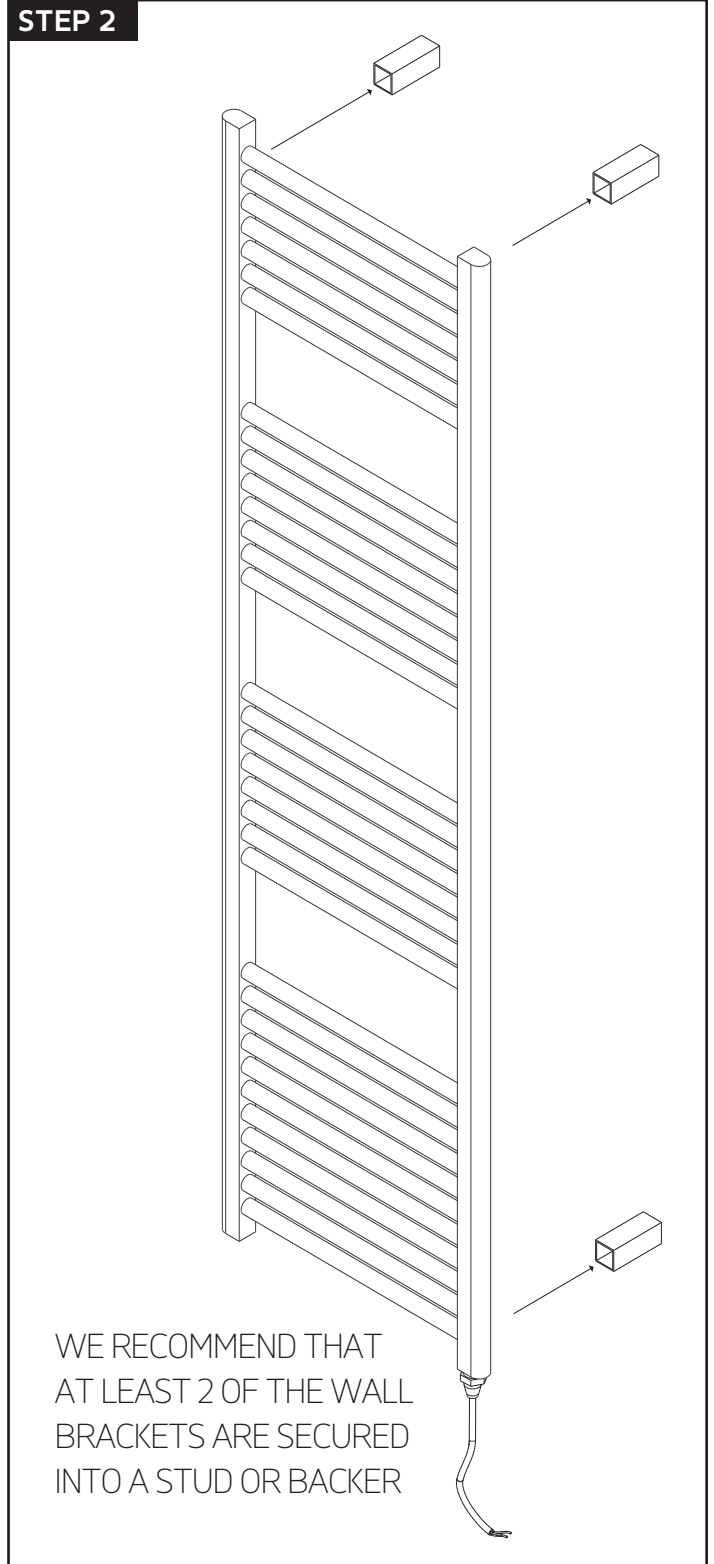
M17245W

denby towel warmer,
hardwired

STEP 1

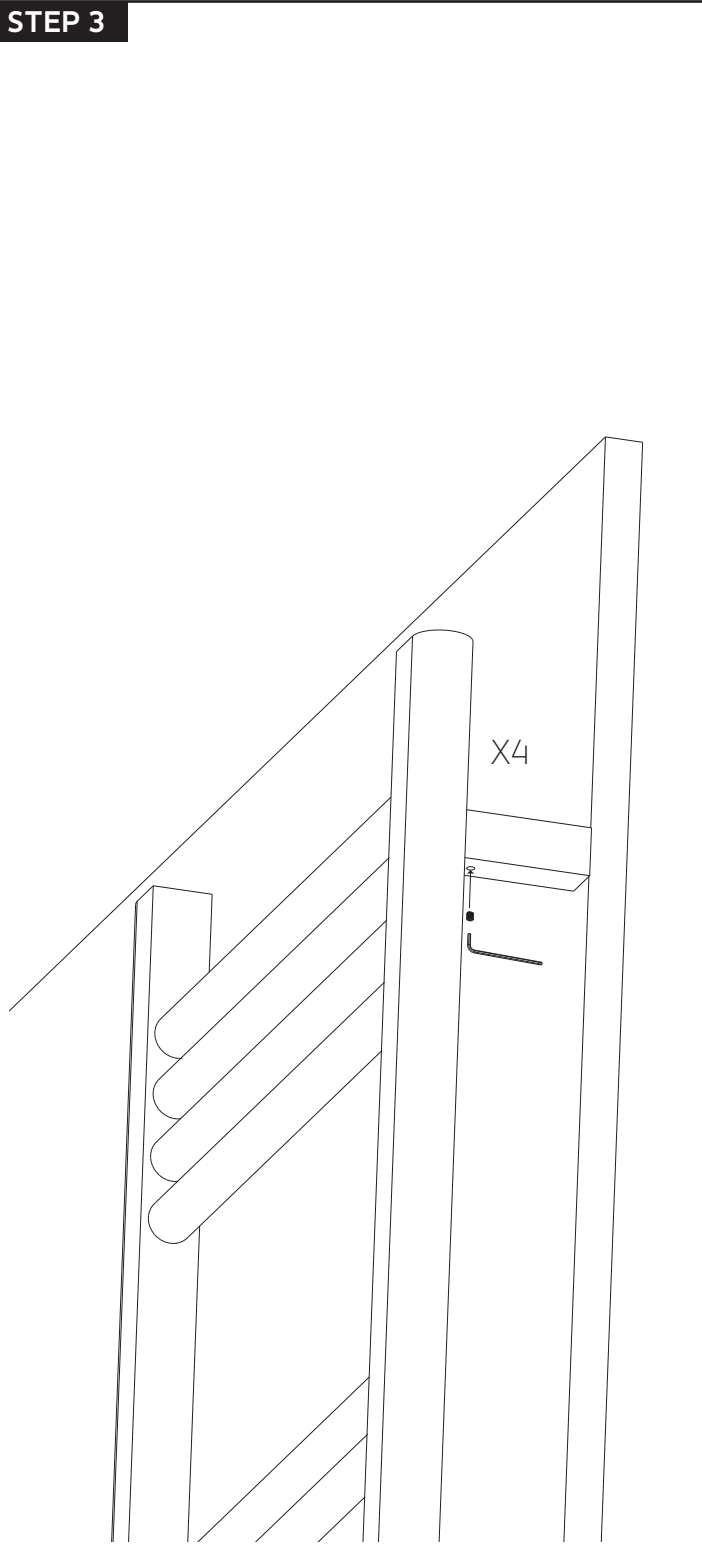


STEP 2

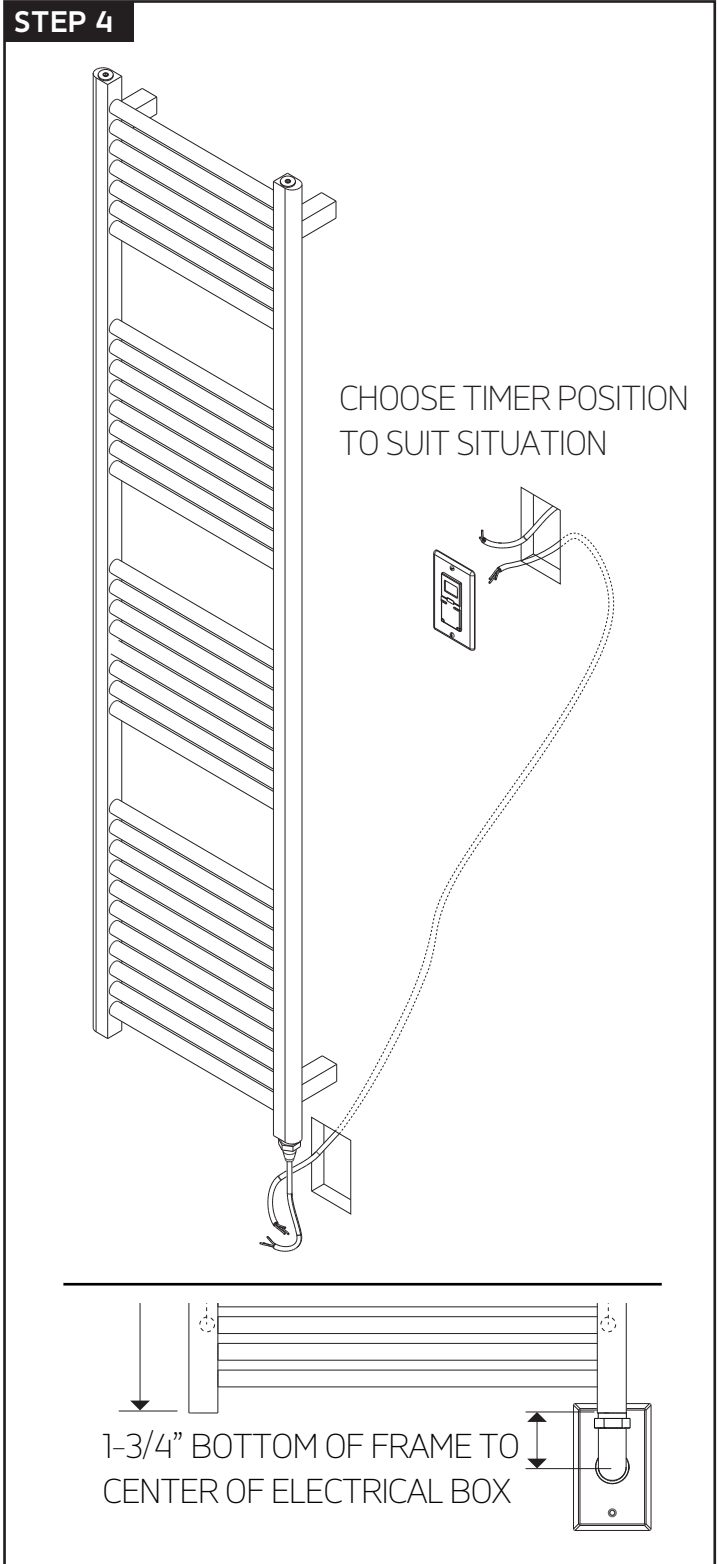


INSTALLATION STEPS

STEP 3



STEP 4

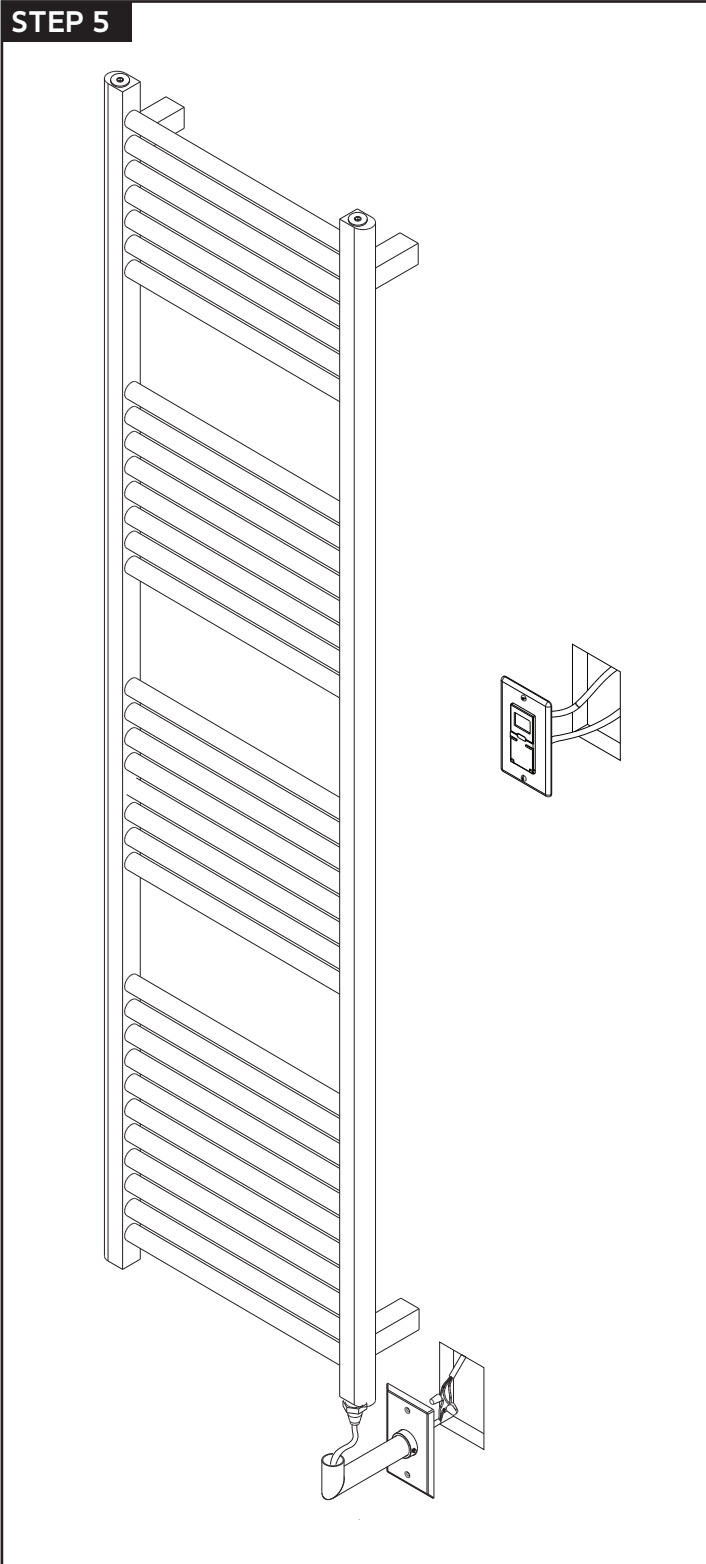


M17245W

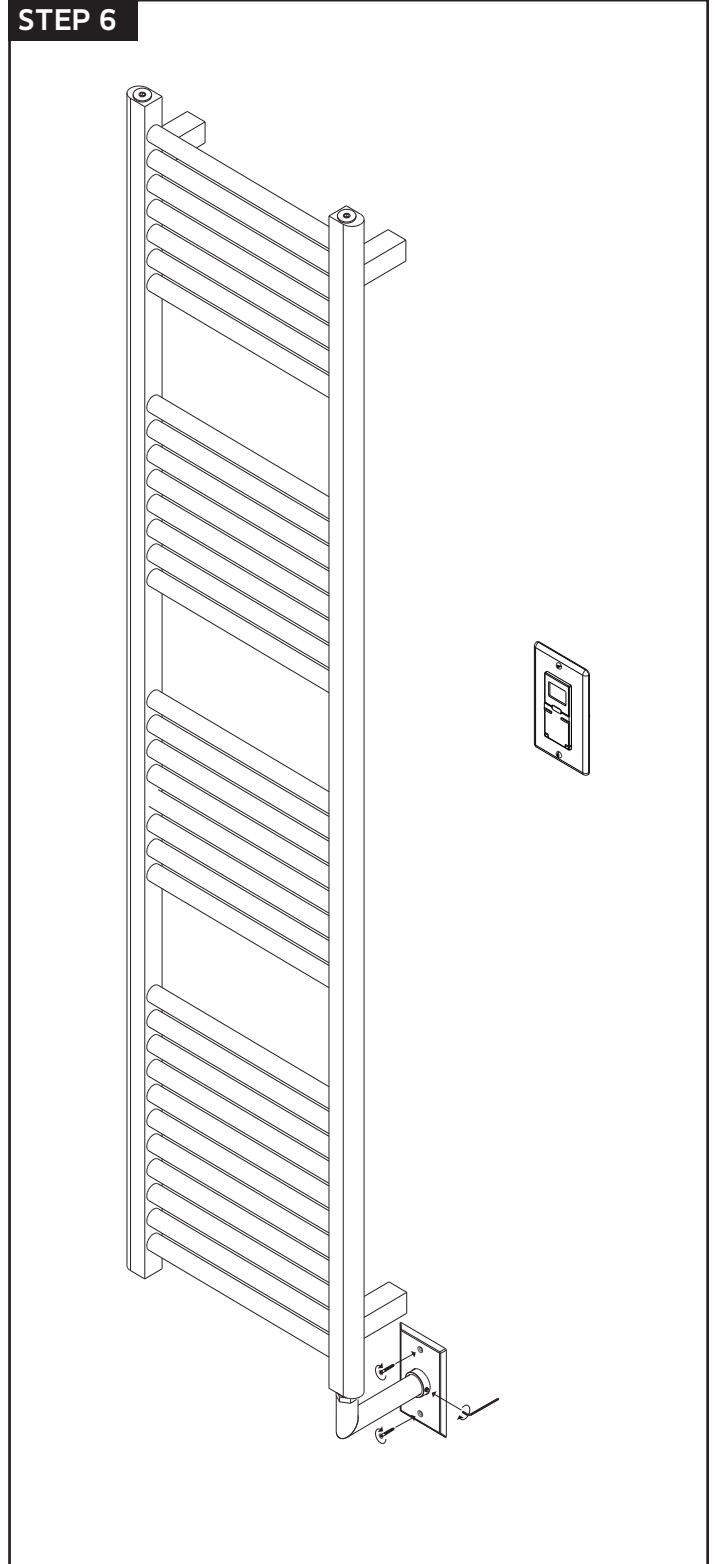
INSTALLATION STEPS

denby towel warmer,
hardwired

STEP 5



STEP 6

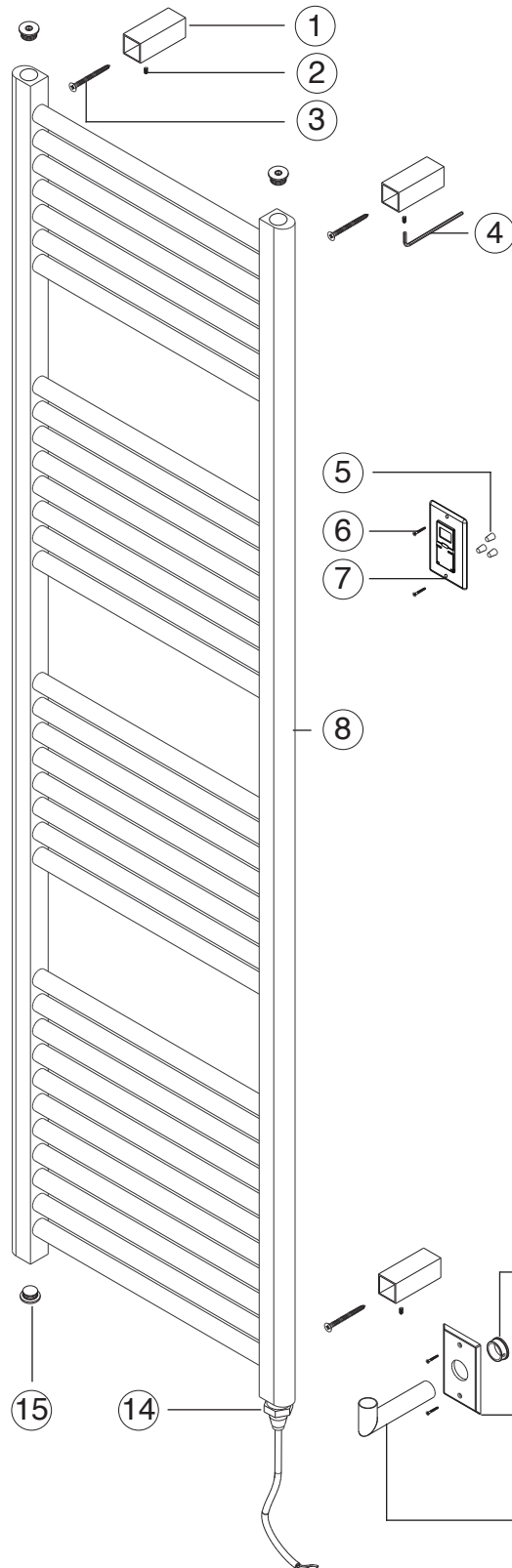


artos[®]

M17245W

denby towel warmer,
hardwired

PARTS BREAKDOWN



- ① **BRACKETS(4)** M17245W XP1
- ② **BRACKET SET SCREWS(4)** M17245W XP2
- ③ **BRACKET SCREWS(4)** M17245W XP3
- ④ **ALLEN WRENCH** M17245W XP4
- ⑤ **WIRE NUTS(3)** M17245W XP5
- ⑥ **TIMER** M17245W XP6
- ⑦ **TIMER SCREWS(2)** M17245W XP7
- ⑧ **TOWEL WARMER** M17245W XP8
- ⑨ **ELBOW SECURING SLEEVE** M17245W XP9
- ⑩ **ELBOW SET SCREW** M17245W XP10
- ⑪ **ALLEN WRENCH** M17245W XP11
- ⑫ **BACKPLATE** M17245W XP12
- ⑬ **ELBOW** M17245W XP13
- ⑭ **ELEMENT** M17245W XP14
- ⑮ **BLANKING CAP(3)** M17245W XP15

Artos® Warranty Decorative Towel Dryers

Artos® towel dryers have been manufactured under the highest quality and manufacturing standards.

Artos® towel dryers have a 5-year warranty against leaks and manufacturing defects to the finish. The heating element itself has a 2-year warranty.

For best results, keep the following in mind to retain the high quality finish of your Artos towel warmer:

- Use a soft, dampened sponge or cloth. On no account should you use a abrasive material such as a brush, scouring pad or steel wool to clean surfaces.
- Test your cleaning agent solution on an inconspicuous area before applying to the entire faucet.
- Wipe surfaces clean and rinse completely with water immediately after applying cleaning agent.
- An ideal cleaning technique is to rinse faucet thoroughly and blot dry an water from the surface after each use.

This warranty applies to installations in the US, Canada and Mexico (North America). Commercial, Industrial or business uses are warranted for a period of one year from the original date of purchase. This warranty is non-transferable and applies exclusively to the original owner or end-user.

If a defect is found during normal use, Artos® will, at its election, repair, replace or make an appropriate adjustment. Damage caused by accident, misuse, abuse, improper installation or alteration will void the warranty.

This warranty does not cover replacement parts where damage is caused by normal wear and tear. Labor charges, installation or other incidental or consequential costs will not be covered. Replacement parts that qualify for warranty repair can be obtained by contacting Artos® at 1-877-9ARTOS9 or by e-mail at info@artos.us.co

Proof of purchase (original sales receipt) from the original consumer purchaser must accompany all warranty claims. When submitting your claim in writing, please provide your name, address and telephone number.