

artos[®]

MR06545W

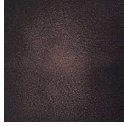
INSTALLATION GUIDE

ryton towel warmer,
hardwired

BRUSHED NICKEL(BN)



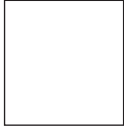
OIL RUBBED BRONZE(OB)



CHROME(CH)



WHITE(WH)



POLISHED NICKEL(PN)



BLACK(BK)



MR06545W

ryton towel warmer,
hardwired

OPERATING SPECIFICATIONS



FEATURES

Towel warming, drying and auxiliary heating.

ELEMENT

200W, 110V

CODES

UL Approved
CSA-US Approved

REQUIREMENTS

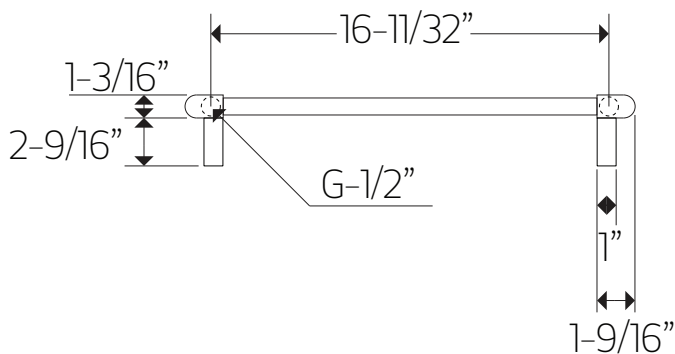
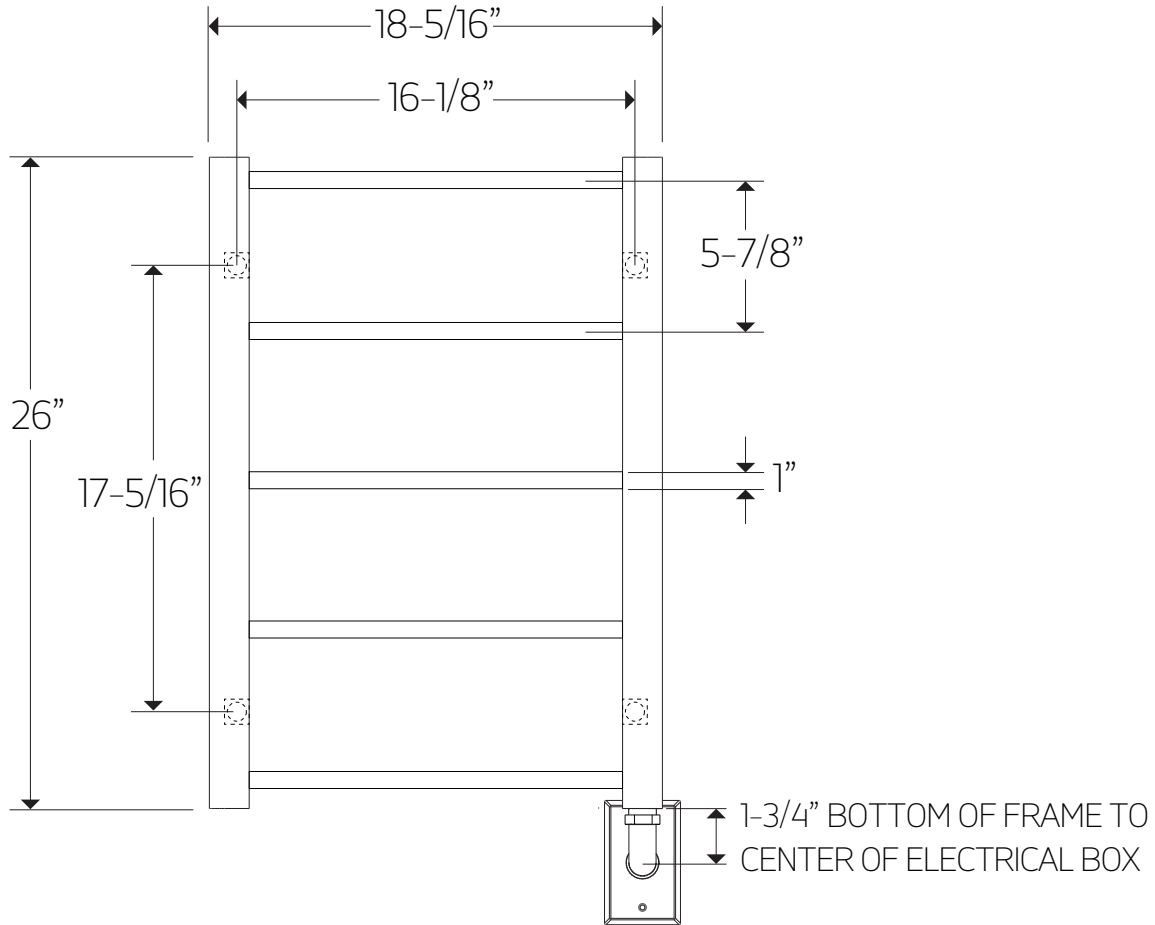
The towel warmer must be installed so that the Element is at the bottom.

artos[®]

MR06545W

PRODUCT DIMENSIONS

ryton towel warmer,
hardwired

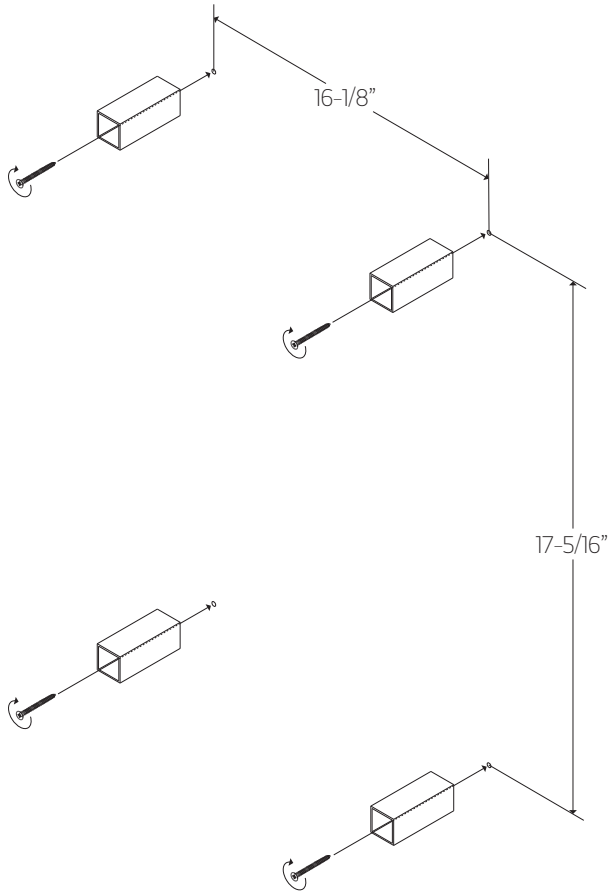


MR06545W

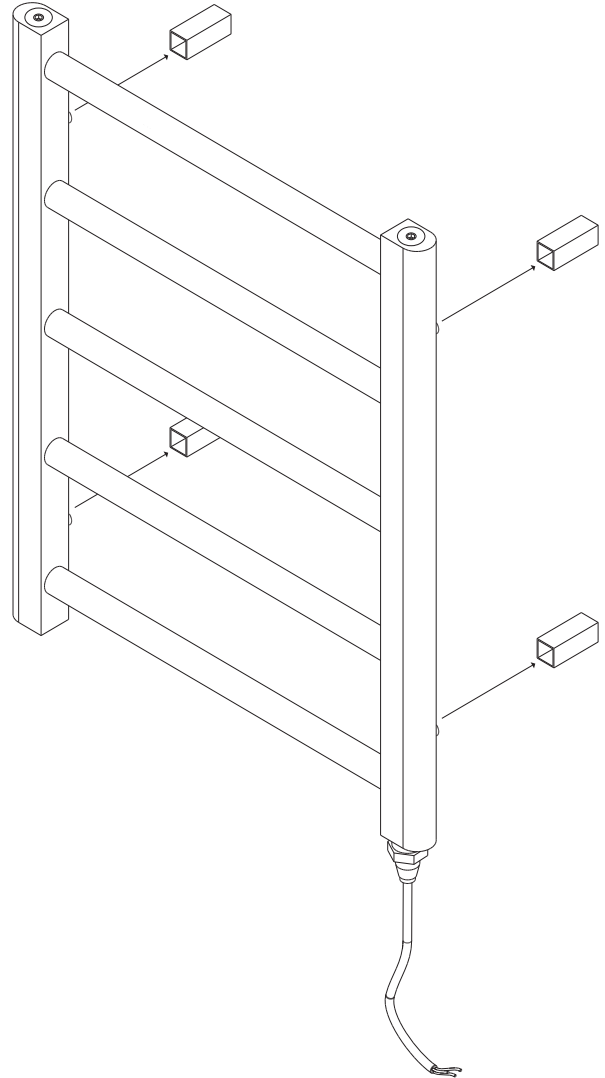
ryton towel warmer,
hardwired

STEP 1

*DIMENSIONS ARE APPROXIMATE FOR
BLOCKING PURPOSES, PLEASE MEASURE UNIT



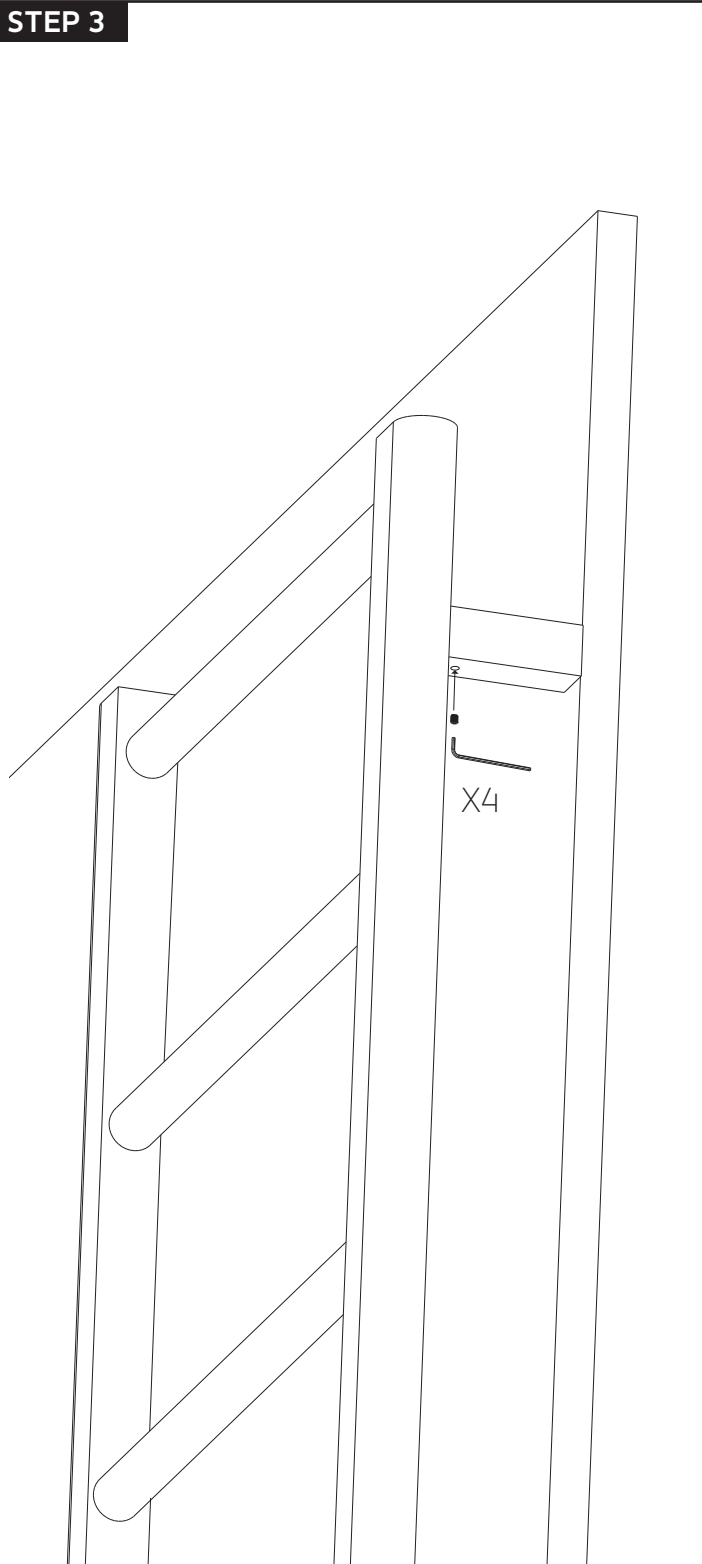
STEP 2



WE RECOMMEND THAT AT LEAST
2 OF THE WALL BRACKETS ARE
SECURED INTO A STUD OR BACKER

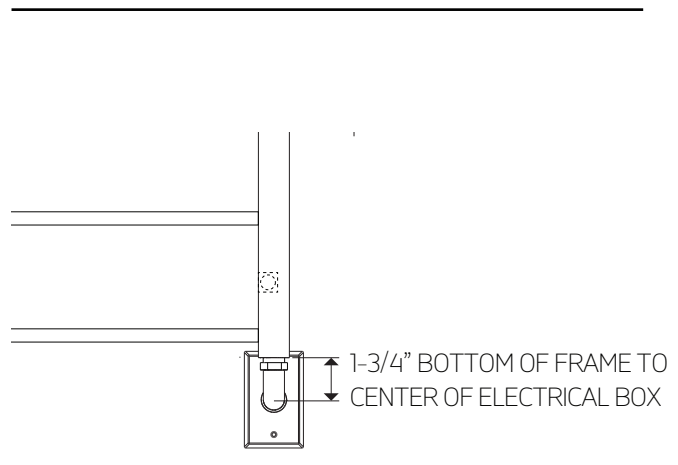
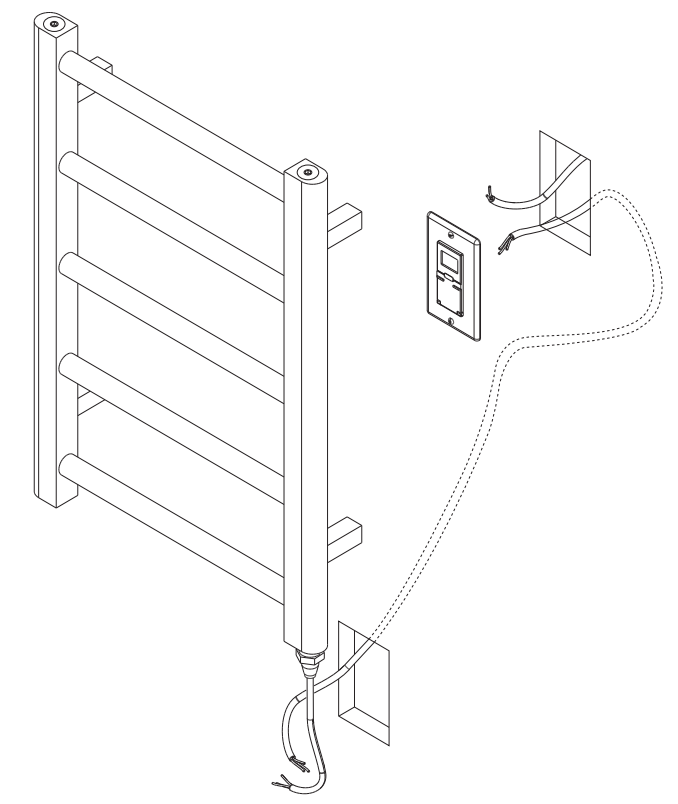
INSTALLATION STEPS

STEP 3



STEP 4

CHOOSE TIMER POSITION TO SUIT SITUATION

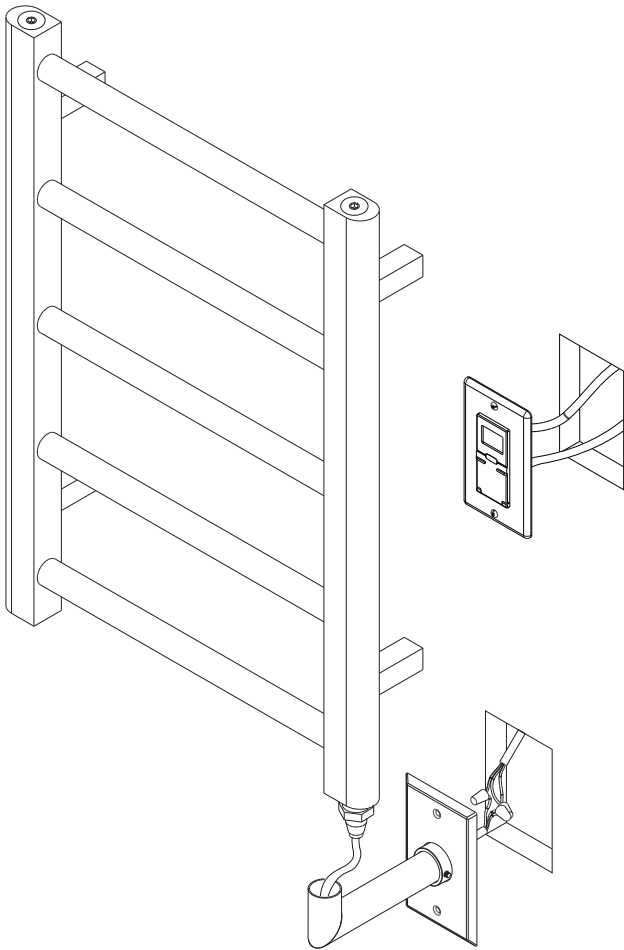


MR06545W

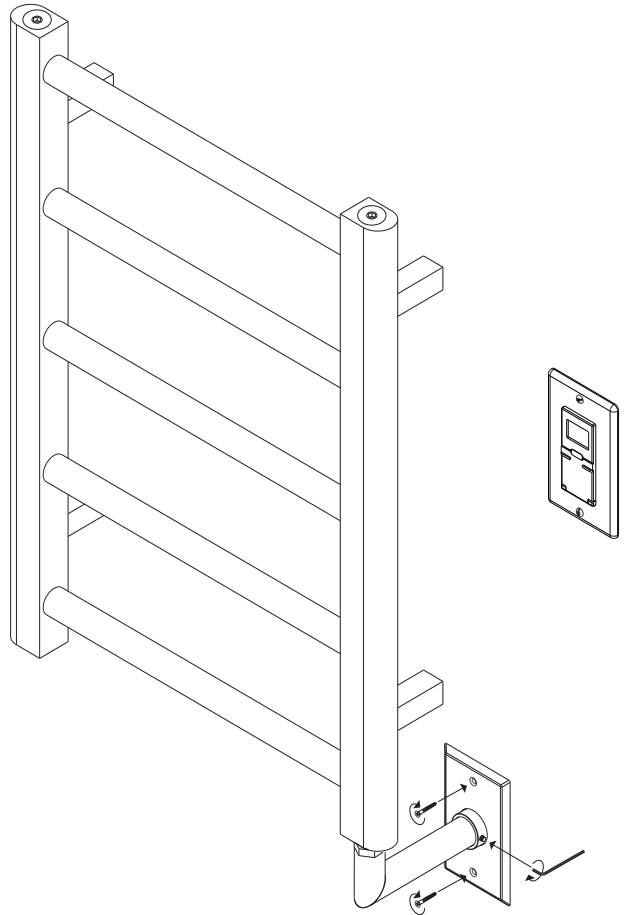
INSTALLATION STEPS

ryton towel warmer,
hardwired

STEP 5



STEP 6

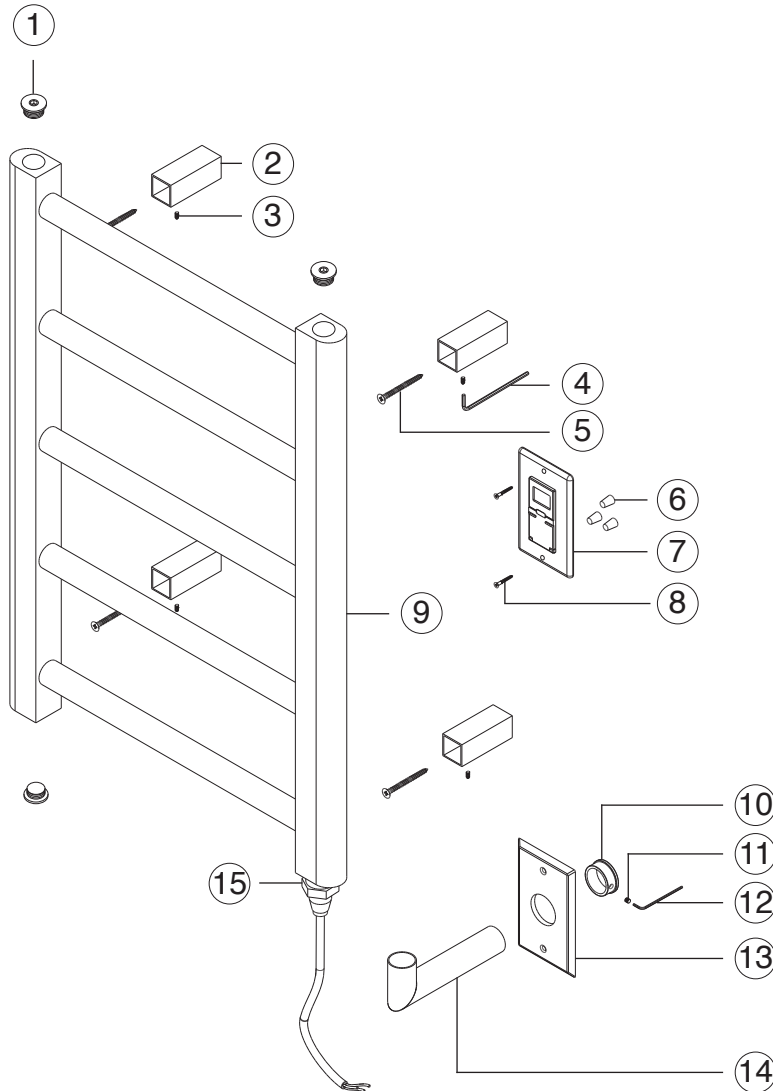


artos[®]

MR06545W

PARTS BREAKDOWN

ryton towel warmer,
hardwired



- | | |
|--|--|
| ① BLANKING CAP(3) MR06545W XP1 | ⑩ ELBOW SECURING SLEEVE MR06545W XP10 |
| ② WALL BRACKET(4) MR06545W XP2 | ⑪ ELBOW SET SCREW MR06545W XP11 |
| ③ BRACKET SET SCREW(4) MR06545W XP3 | ⑫ ALLEN WRENCH MR06545W XP12 |
| ④ ALLEN WRENCH MR06545W XP4 | ⑬ BACKPLATE MR06545W XP13 |
| ⑤ BRACKET SCREW(4) MR06545W XP5 | ⑭ ELBOW MR06545W XP14 |
| ⑥ WIRE NUTS(3) MR06545W XP6 | ⑮ ELEMENT MR06545W XP15 |
| ⑦ TIMER MR06545W XP7 | |
| ⑧ TIMER SCREWS(2) MR06545W XP8 | |
| ⑨ TOWEL WARMER MR06545W XP9 | |

Artos® Warranty Decorative Towel Dryers

Artos® towel dryers have been manufactured under the highest quality and manufacturing standards.

Artos® towel dryers have a 5-year warranty against leaks and manufacturing defects to the finish. The heating element itself has a 2-year warranty.

For best results, keep the following in mind to retain the high quality finish of your Artos towel warmer:

- Use a soft, dampened sponge or cloth. On no account should you use a abrasive material such as a brush, scouring pad or steel wool to clean surfaces.
- Test your cleaning agent solution on an inconspicuous area before applying to the entire faucet.
- Wipe surfaces clean and rinse completely with water immediately after applying cleaning agent.
- An ideal cleaning technique is to rinse faucet thoroughly and blot dry an water from the surface after each use.

This warranty applies to installations in the US, Canada and Mexico (North America). Commercial, Industrial or business uses are warranted for a period of one year from the original date of purchase. This warranty is non-transferable and applies exclusively to the original owner or end-user.

If a defect is found during normal use, Artos® will, at its election, repair, replace or make an appropriate adjustment. Damage caused by accident, misuse, abuse, improper installation or alteration will void the warranty.

This warranty does not cover replacement parts where damage is caused by normal wear and tear. Labor charges, installation or other incidental or consequential costs will not be covered. Replacement parts that qualify for warranty repair can be obtained by contacting Artos® at 1-877-9ARTOS9 or by e-mail at info@artos.us.co

Proof of purchase (original sales receipt) from the original consumer purchaser must accompany all warranty claims. When submitting your claim in writing, please provide your name, address and telephone number.