

# artos<sup>®</sup>

## MR12045H

## INSTALLATION GUIDE

denby towel warmer,  
hydronic

BRUSHED NICKEL(BN)



OIL RUBBED BRONZE(OB)



CHROME(CH)



BLACK(BK)



POLISHED NICKEL(PN)



MR12045H

ryton towel warmer,  
hydronic

## OPERATING SPECIFICATIONS



### FEATURES

Towel warming, drying and auxiliary heating.

### HEAT OUTPUT

756 BTU

### CODES

UL Approved  
CSA-US Approved

### REQUIREMENTS

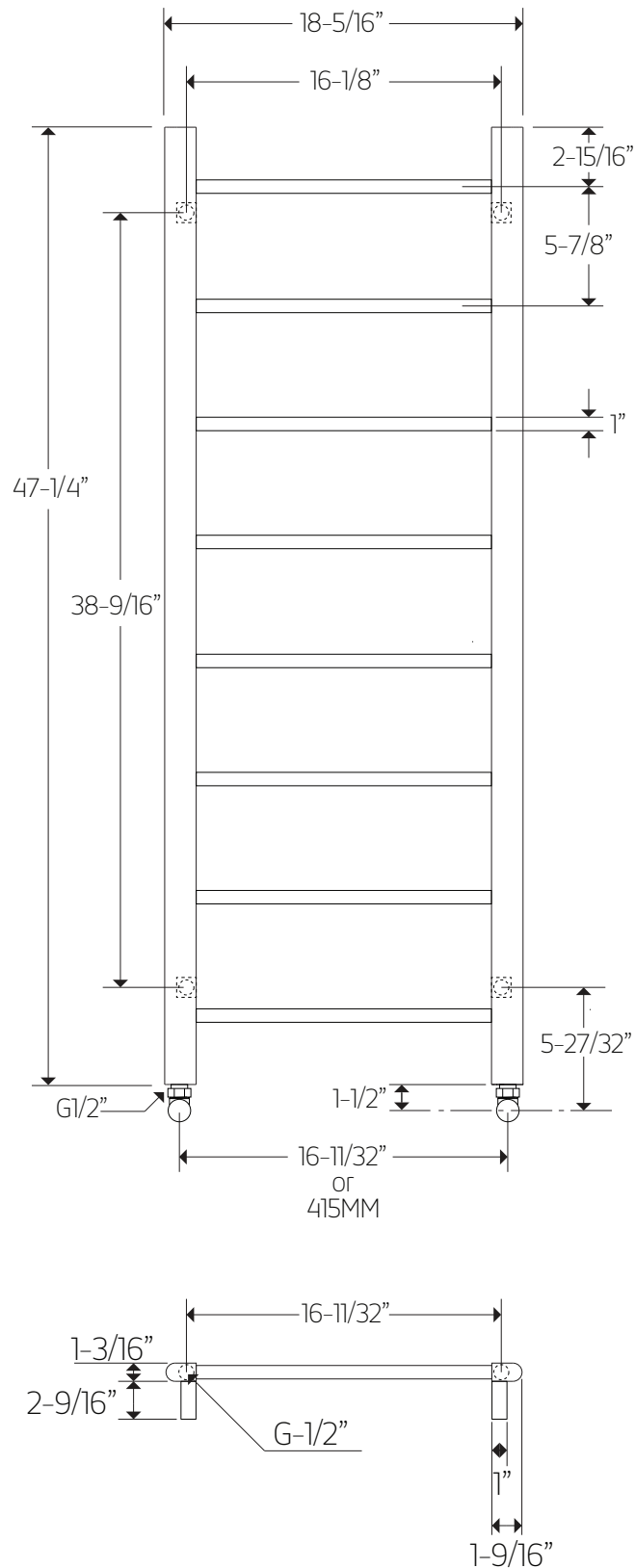
Towel warmers must be used in a closed water system, incorporating a rust inhibitor.

# artos<sup>®</sup>

## MR12045H

## PRODUCT DIMENSIONS

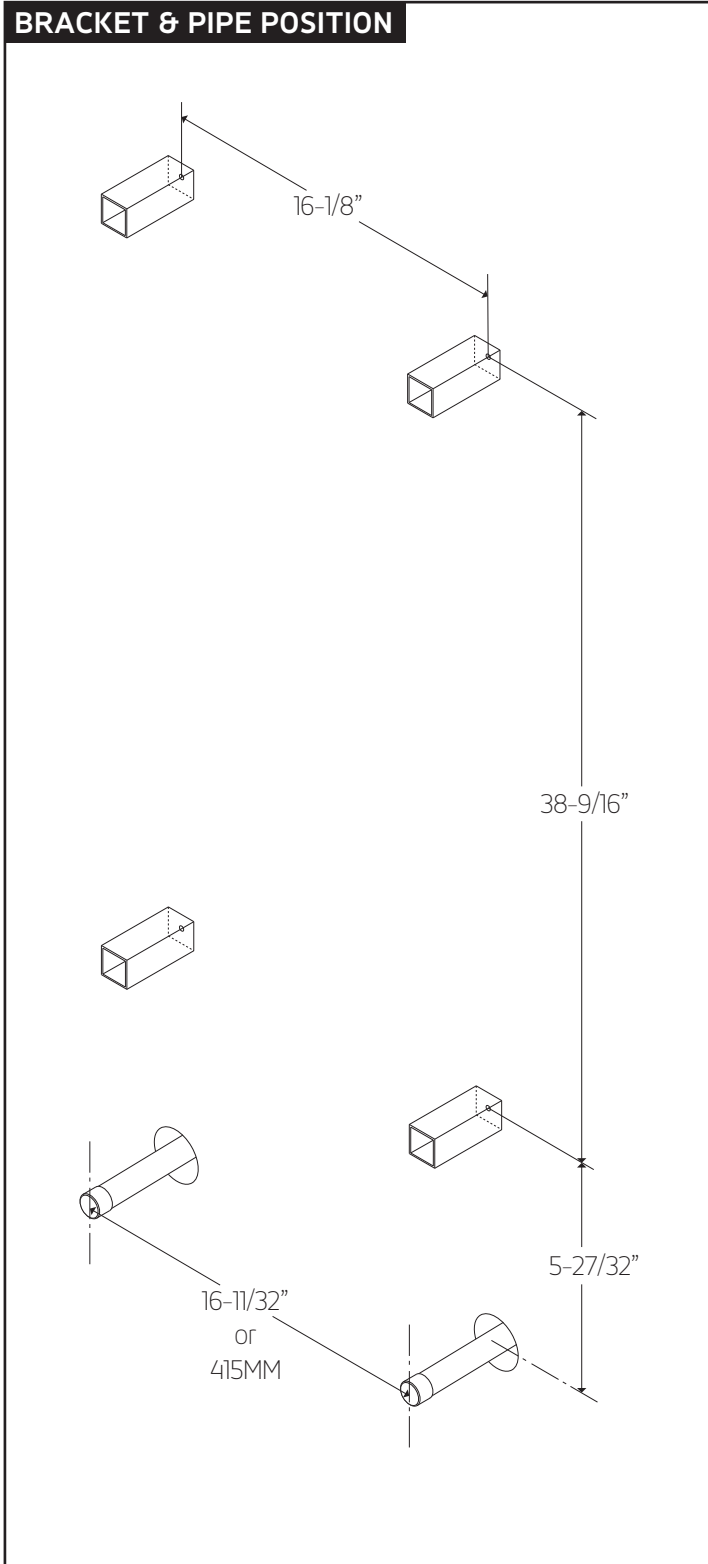
ryton towel warmer,  
hydronic



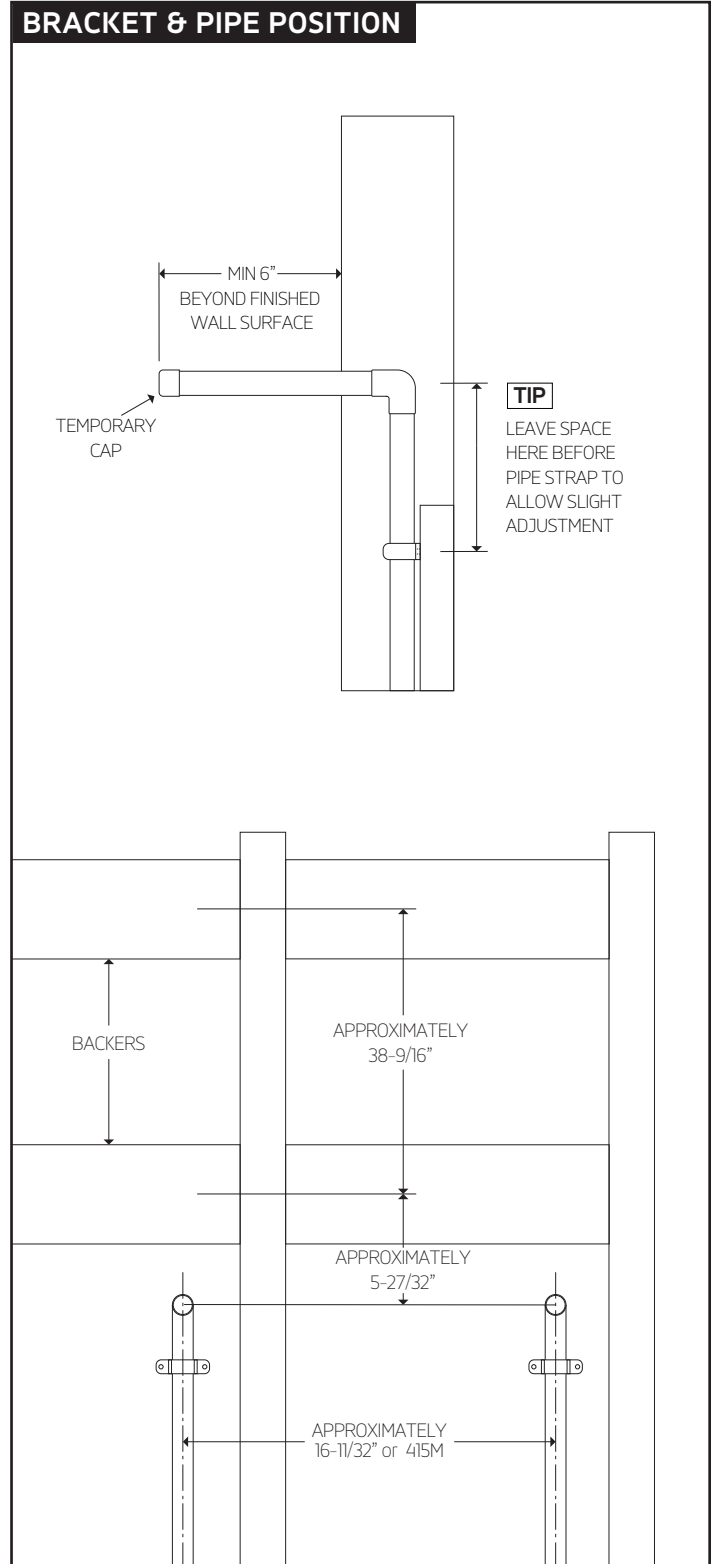
# MR12045H

ryton towel warmer,  
hydraulic

## BRACKET & PIPE POSITION

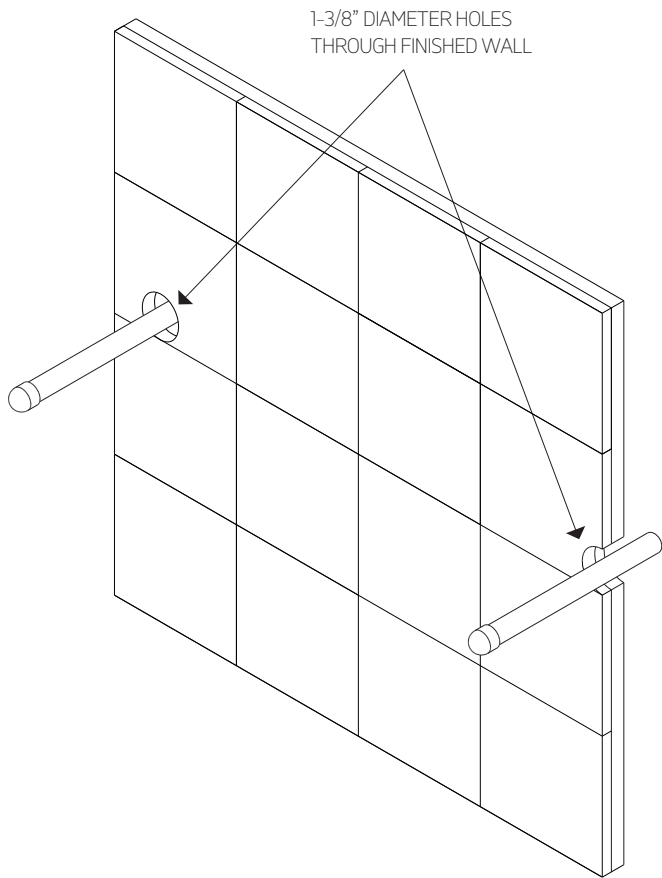


## BRACKET & PIPE POSITION

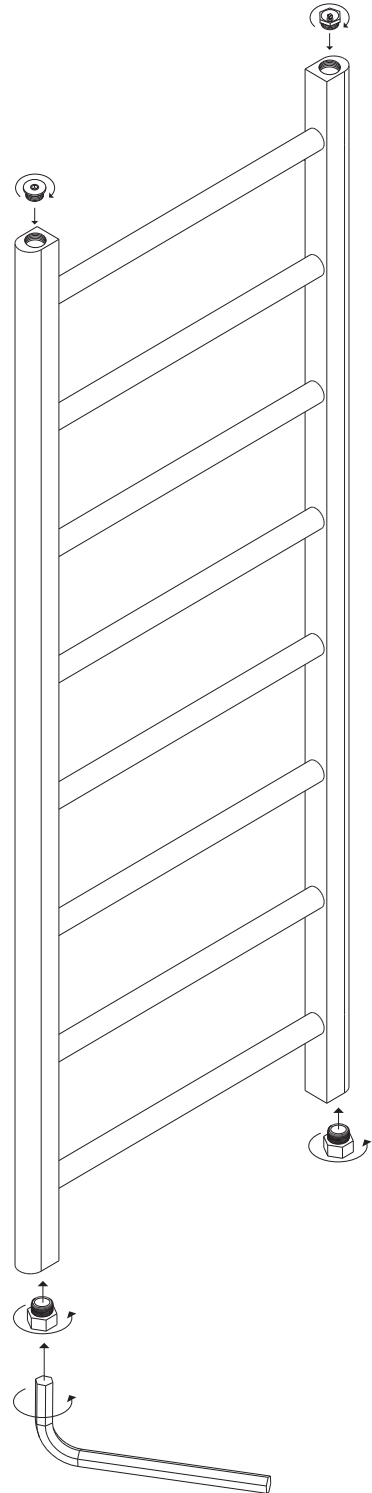


# INSTALLATION STEPS

## STEP 1



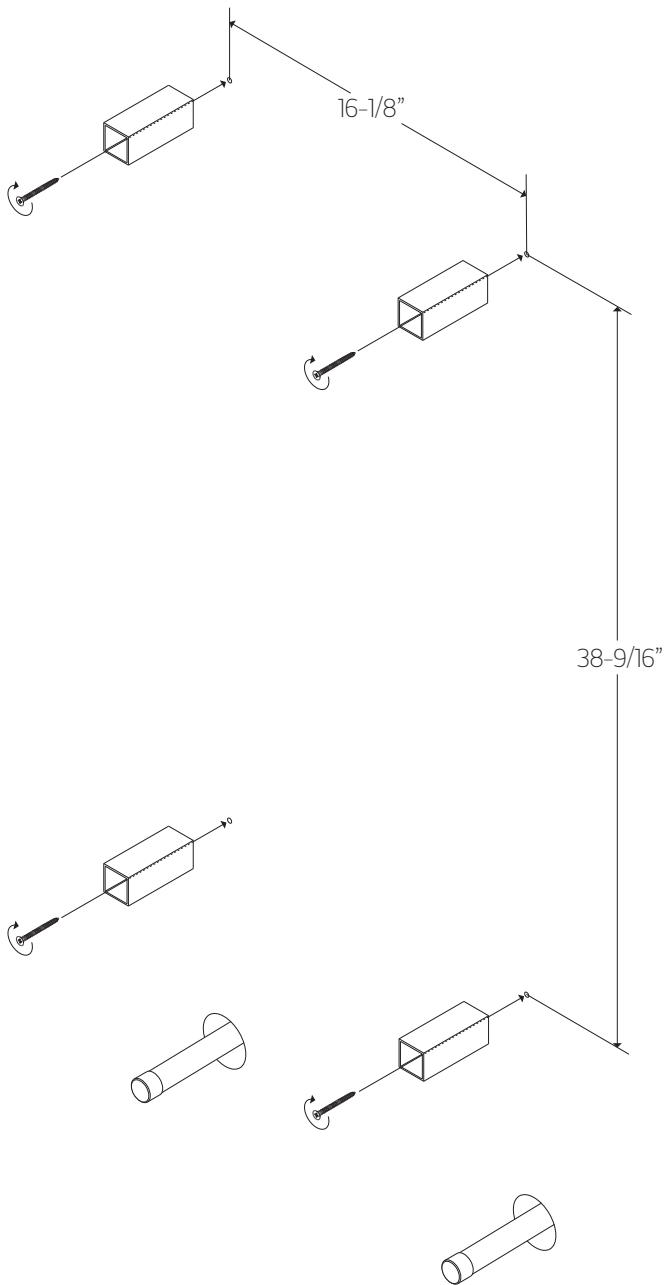
## STEP 2



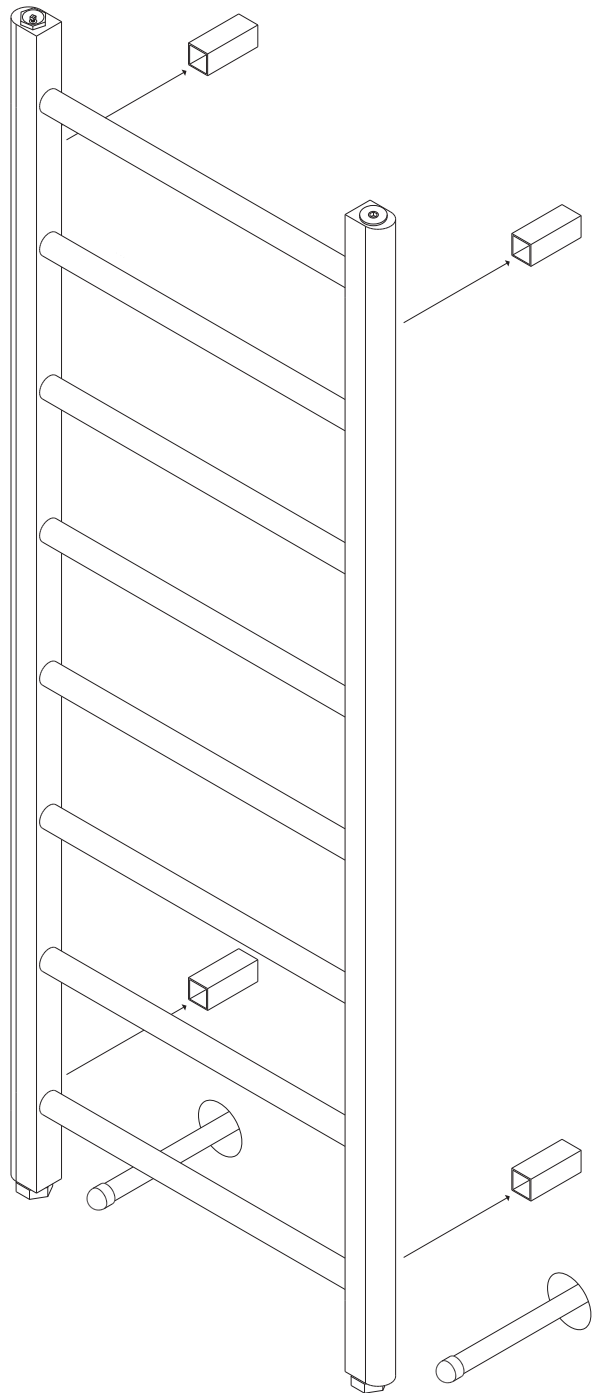
# MR12045H

ryton towel warmer,  
hydronic

## STEP 3 INSTALL BRACKETS: MEASURE TOWEL WARMER FRAME FOR EXACT BRACKET SPACING BEFORE INSTALLATION

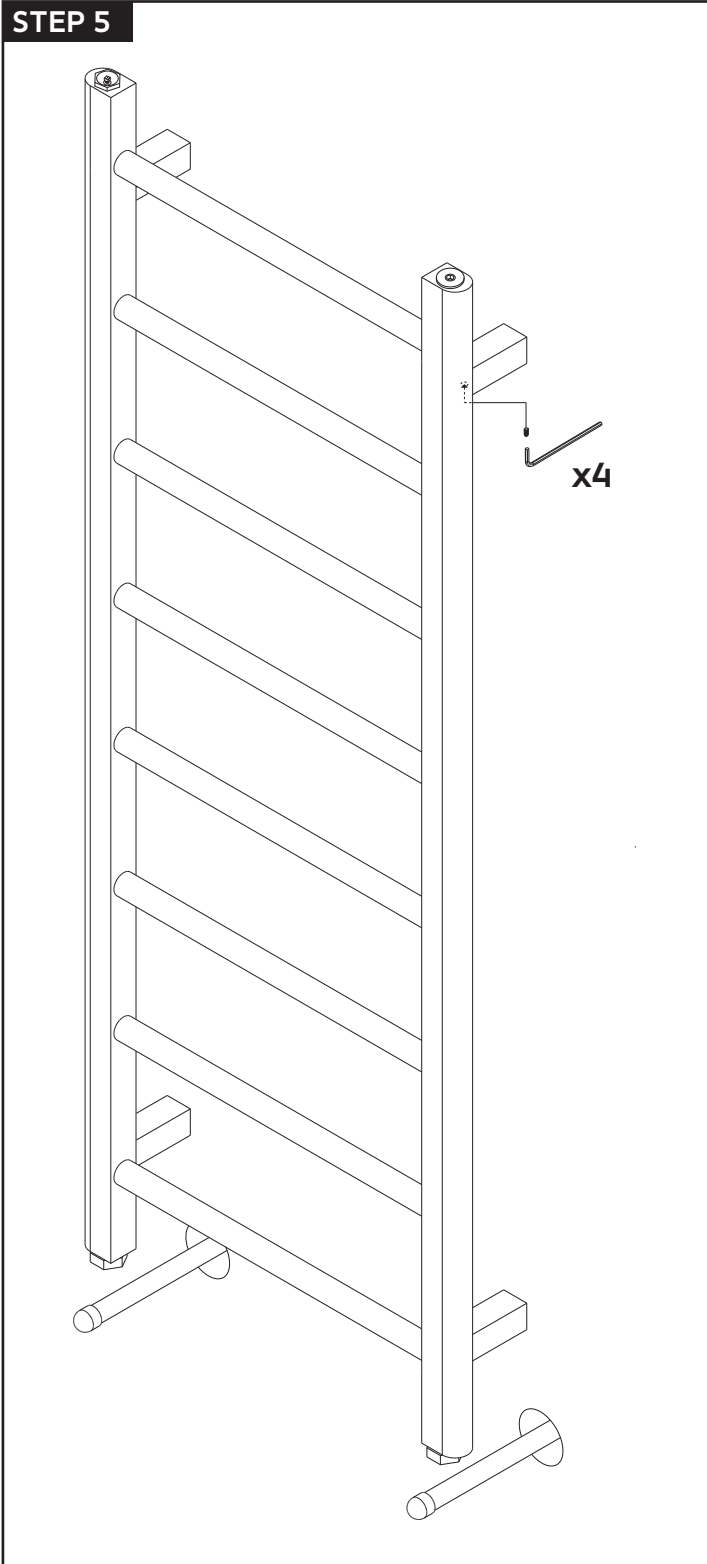


## STEP 4

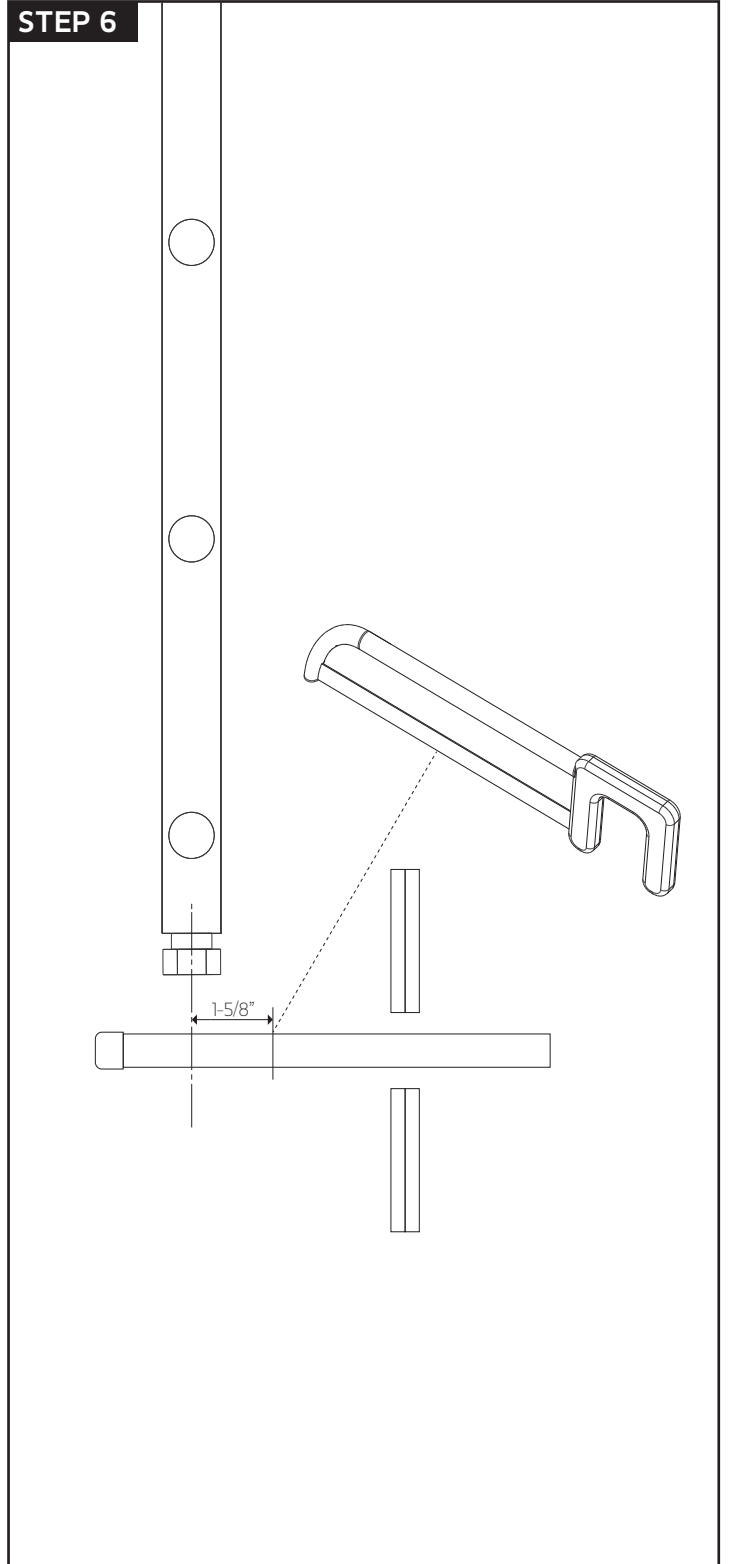


# INSTALLATION STEPS

## STEP 5



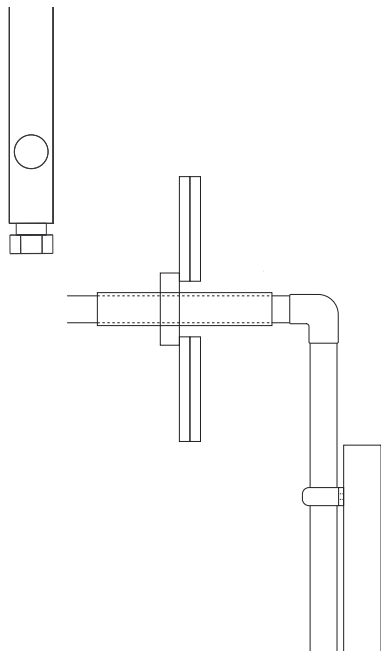
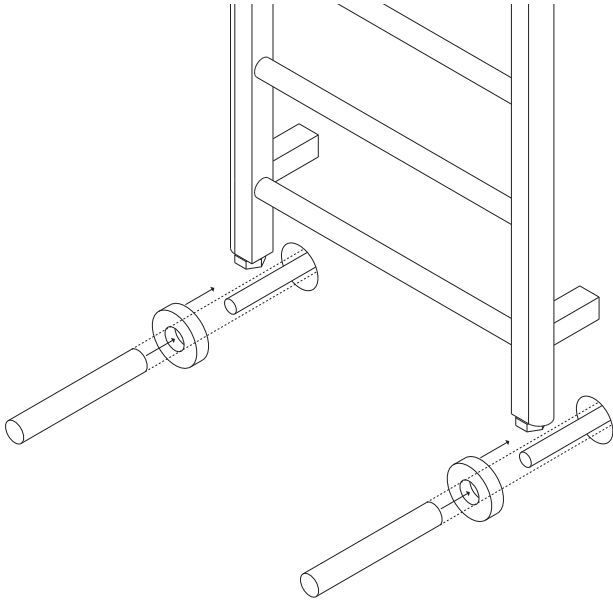
## STEP 6



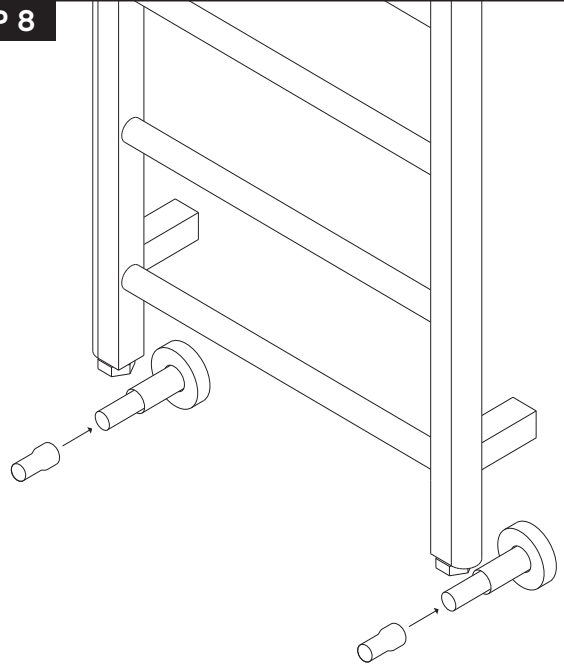
# MR12045H

ryton towel warmer,  
hydronic

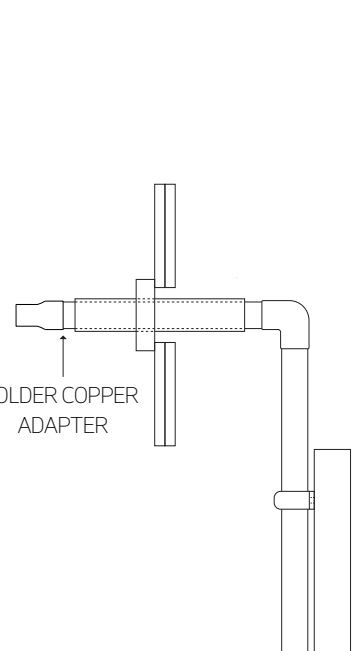
**STEP 7** NOTE: IF NOT USING PIPE COVER SLEEVES- GO TO THE NEXT STEP



**STEP 8**



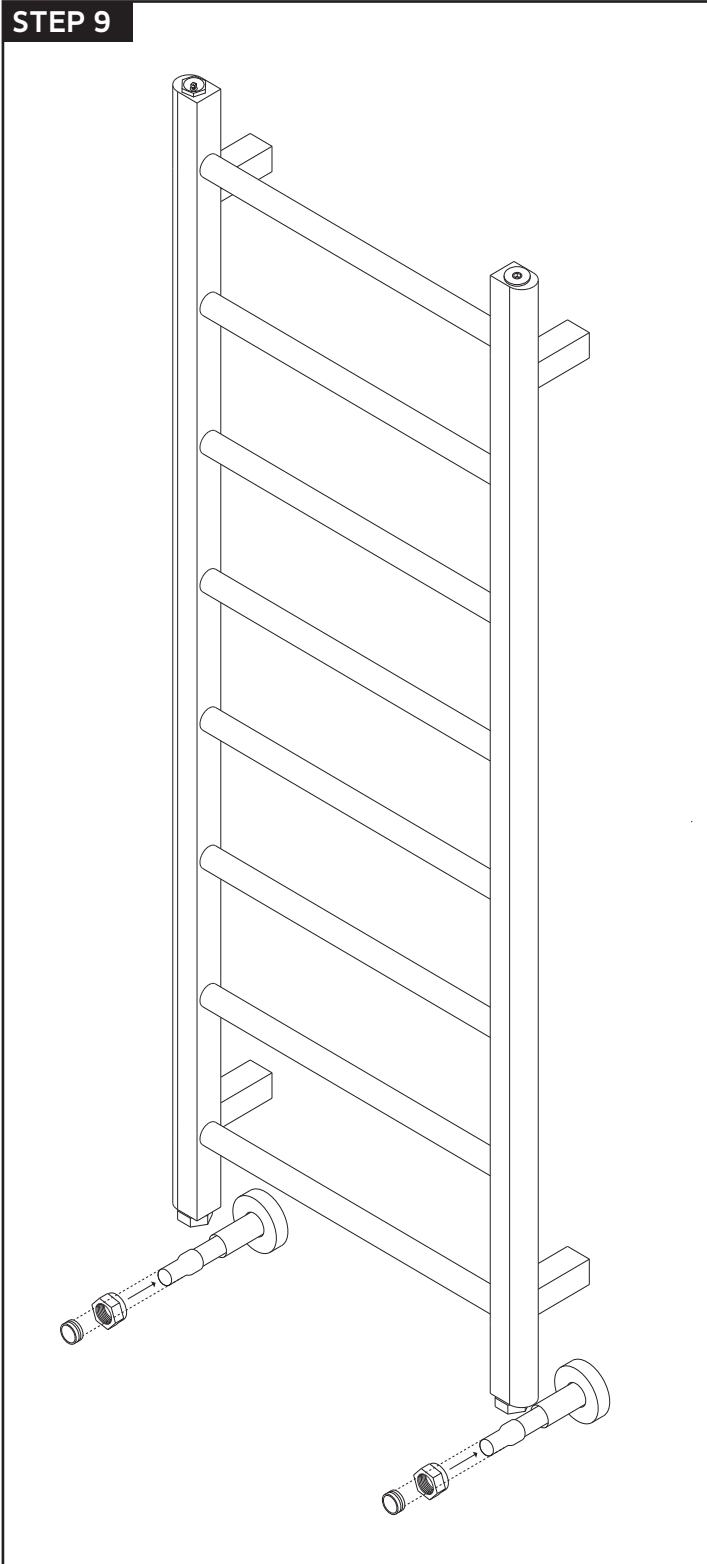
SOLDER COPPER  
ADAPTER



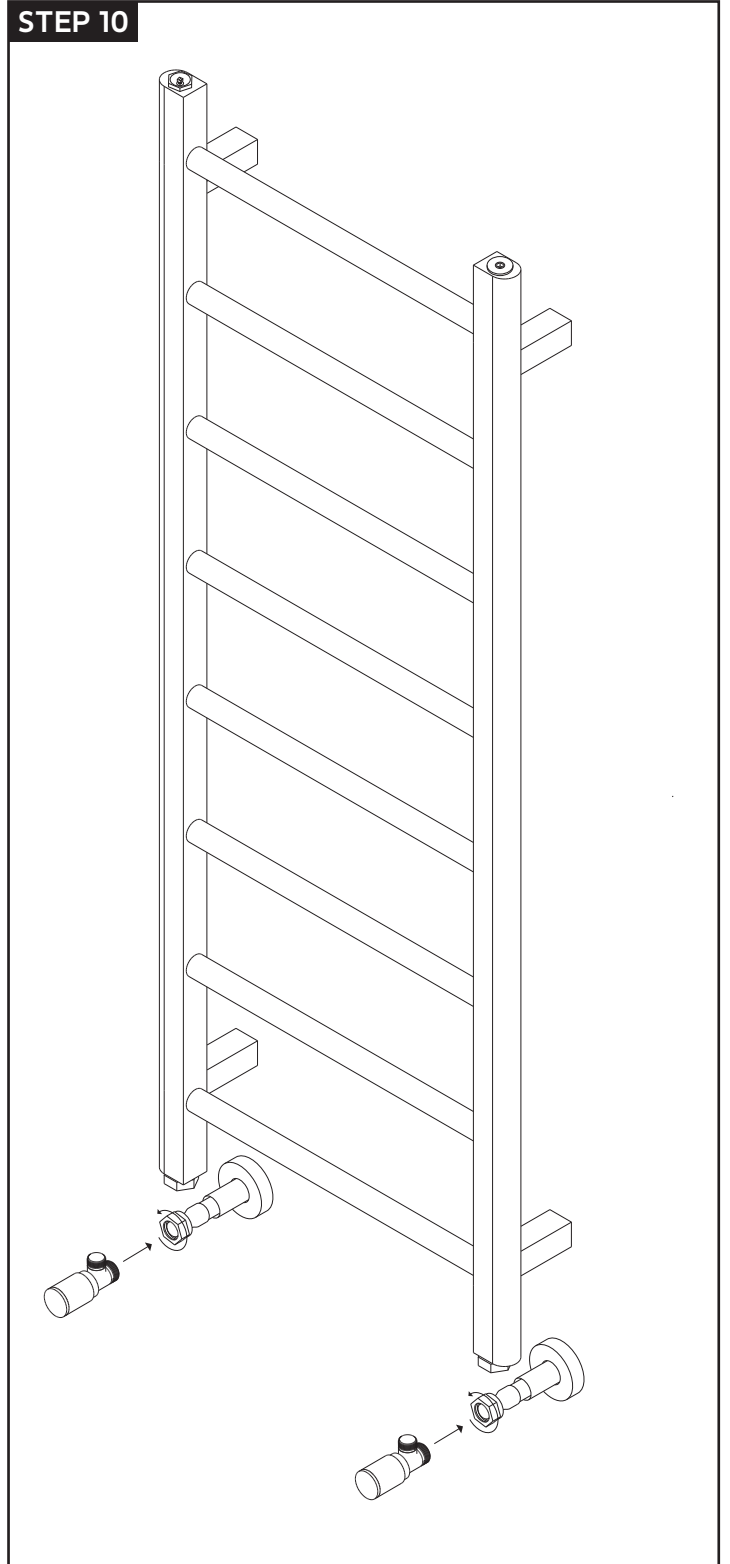


# INSTALLATION STEPS

STEP 9



STEP 10

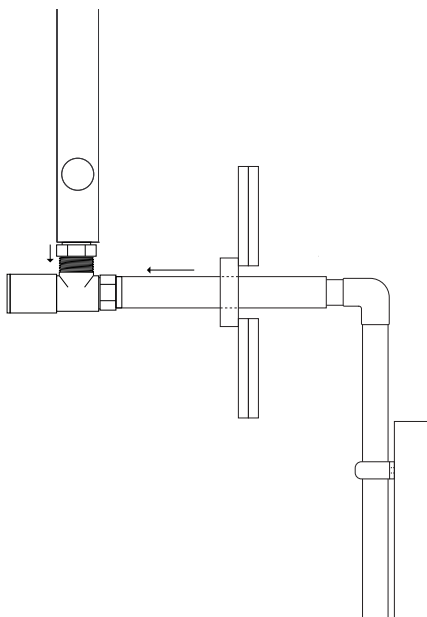
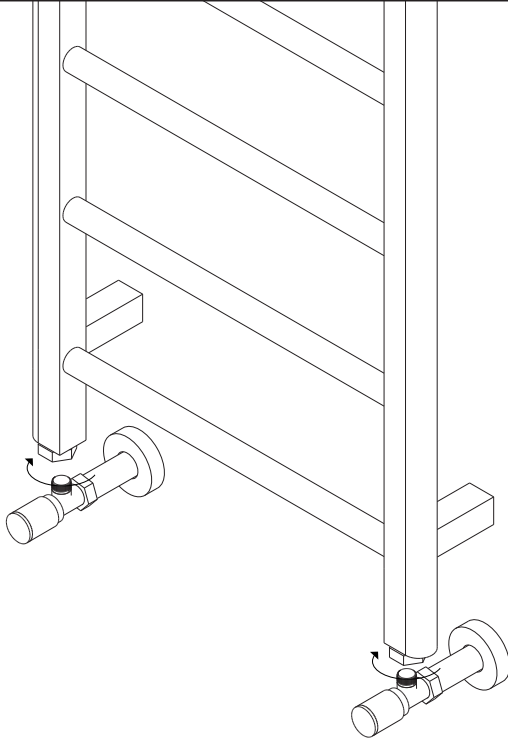


# MR12045H

ryton towel warmer,  
hydronic

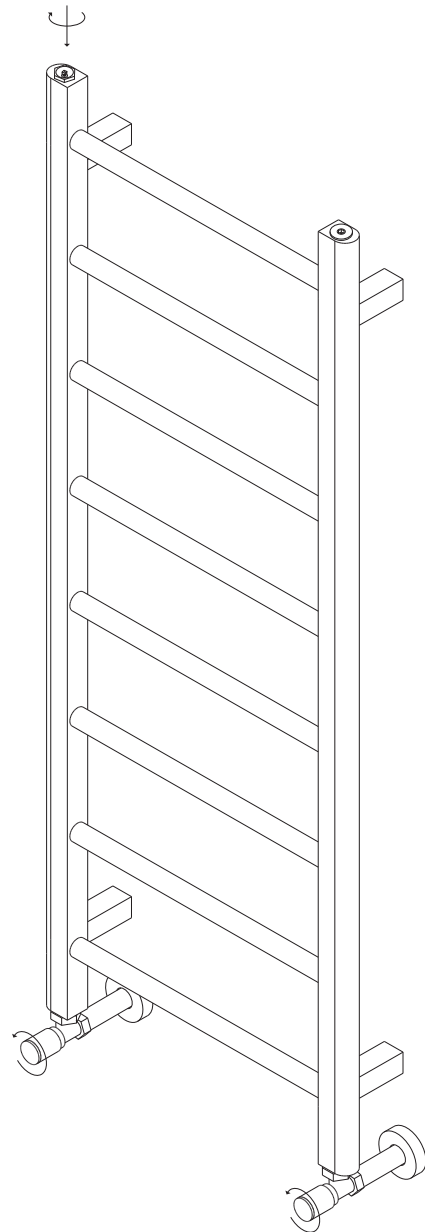
## INSTALLATION STEPS

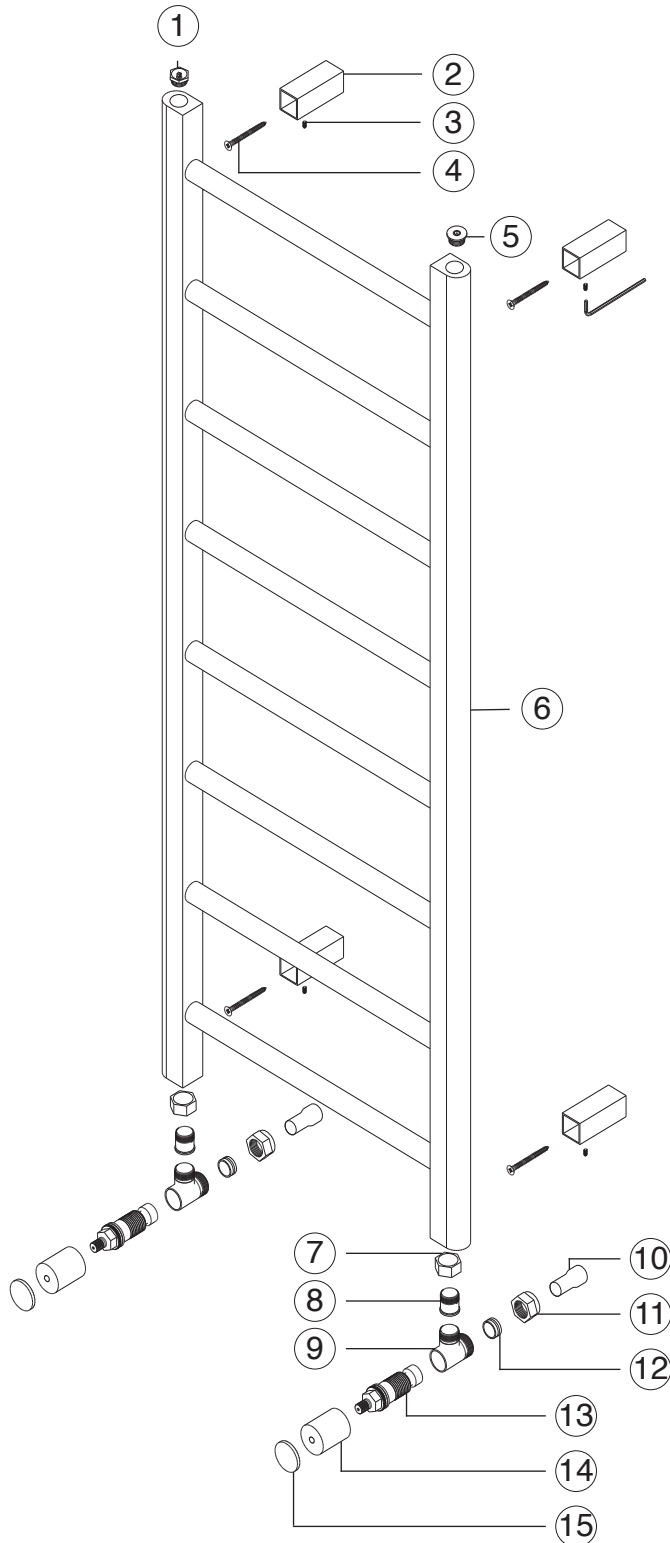
### STEP 11



### STEP 12 CAUTION HOT WATER

**BLEED TOWEL WARMER:**  
LOOSEN PRESSURE RELEASE SCREW, OPEN SUPPLY  
AND RETURN VALVE, ALLOW WATER TO FILL THE  
TOWEL WARMER, TIGHTEN PRESSURE RELEASE  
SCREW WHEN WATER APPEARS





- ① **PRESSURE RELEASE CAP** MR12045H XP1
- ② **BRACKET(4)** MR12045H XP2
- ③ **BRACKET SET SCREW(4)** MR12045H XP3
- ④ **BRACKET SCREW(4)** MR12045H XP4
- ⑤ **BLANKING CAP** MR12045H XP5
- ⑥ **TOWEL WARMER** MR12045H X6
- ⑦ **VALVE NUT(2)** MR12045H XP7
- ⑧ **MALE STEM (2)** MR12045H XP8
- ⑨ **VALVE BODY (2)** MR12045H XP9
- ⑩ **COPPER PIPE ADAPTOR (2)** MR12045H XP10
- ⑪ **COPPER PIPE VALVE NUT (2)** MR12045H XP11
- ⑫ **COMPRESSION RING (2)** MR12045H XP12
- ⑬ **CARTRIDGE (2)** MR12045H XP13
- ⑭ **VALVE HANDLE(2)** MR12045H XP14
- ⑮ **HANDLE CAP (2)** MR12045H XP15

### SOLD SEPARATELY

- ⑯ **VALVE TAIL(2)** PX60 XP16
- ⑰ **ESCUTCHEON(2)** PX60 XP17

### **Artos® Warranty Decorative Towel Dryers**

Artos® towel dryers have been manufactured under the highest quality and manufacturing standards.

Artos® towel dryers have a 5-year warranty against leaks and manufacturing defects to the finish. The heating element itself has a 2-year warranty.

#### **For best results, keep the following in mind to retain the high quality finish of your Artos towel warmer:**

- Use a soft, dampened sponge or cloth. On no account should you use a abrasive material such as a brush, scouring pad or steel wool to clean surfaces.
- Test your cleaning agent solution on an inconspicuous area before applying to the entire faucet.
- Wipe surfaces clean and rinse completely with water immediately after applying cleaning agent.
- An ideal cleaning technique is to rinse faucet thoroughly and blot dry an water from the surface after each use.

This warranty applies to installations in the US, Canada and Mexico (North America). Commercial, Industrial or business uses are warranted for a period of one year from the original date of purchase. This warranty is non-transferable and applies exclusively to the original owner or end-user.

If a defect is found during normal use, Artos® will, at its election, repair, replace or make an appropriate adjustment. Damage caused by accident, misuse, abuse, improper installation or alteration will void the warranty.

This warranty does not cover replacement parts where damage is caused by normal wear and tear. Labor charges, installation or other incidental or consequential costs will not be covered. Replacement parts that qualify for warranty repair can be obtained by contacting Artos® at 1-877-9ARTOS9 or by e-mail at [info@artos.us.co](mailto:info@artos.us.co)

Proof of purchase (original sales receipt) from the original consumer purchaser must accompany all warranty claims. When submitting your claim in writing, please provide your name, address and telephone number.