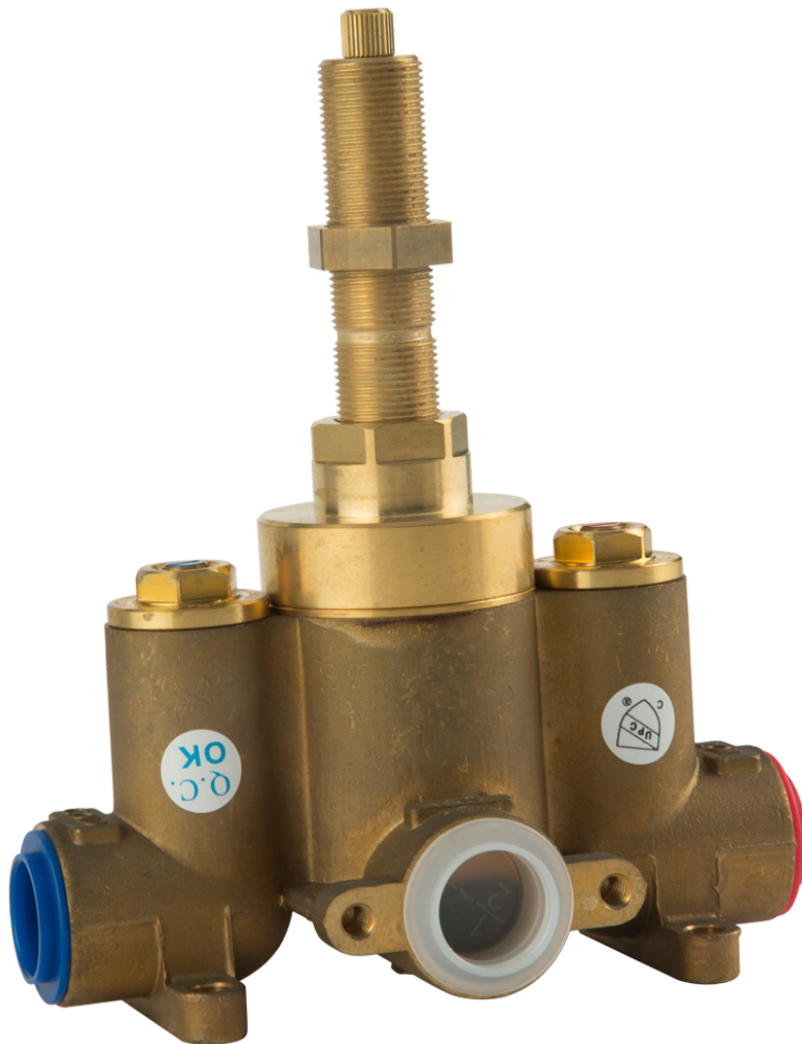


artos[®]

F904A-VO

INSTALLATION GUIDE

3/4" thermostatic valve only



artos[®]

F904A-V0

OPERATING SPECIFICATIONS

3/4" thermostatic valve only



MIXED WATER TEMPERATURE

Maximum: 120°F

HOT WATER SUPPLY TEMPERATURE

Maximum: 185°F

Minimum: 50°F

Advisable: 150°F- 160°F

Minimum difference between hot mixed temperature 50°F

OPERATING PRESSURE

Maximum: 125psi

Minimum: 20psi

Recommended: 30psi- 95psi

Operating pressures (on hot and cold lines) should be kept as balanced as possible, in order to assure the maximum efficiency.

STANDARDS

ASSE 1016.ASME A112.18.1/CSA B123.1 Certified

CODES

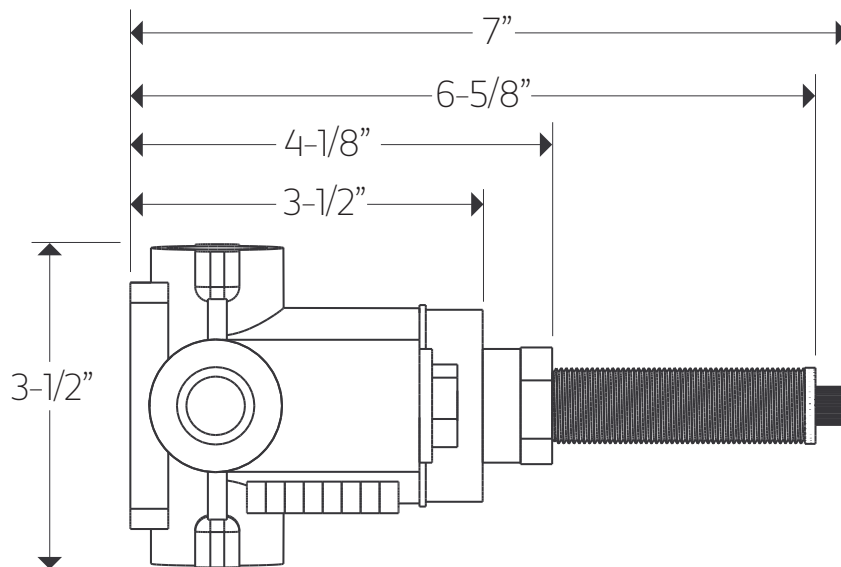
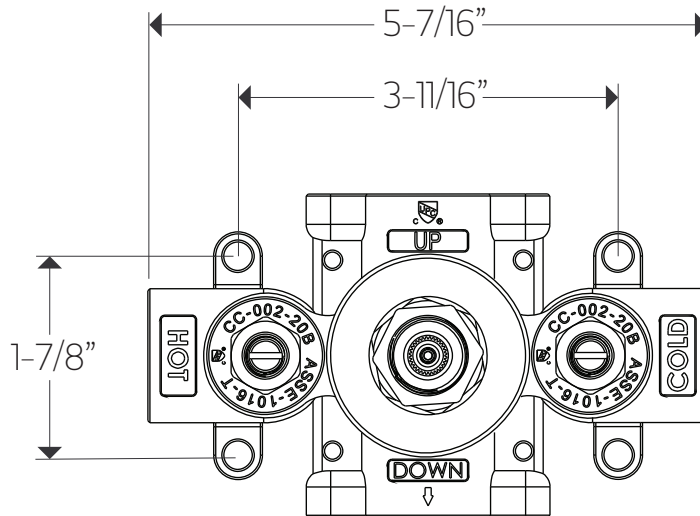
CUPC Approved

artos[®]

F904A-V0

PRODUCT DIMENSIONS

3/4" thermostatic valve only

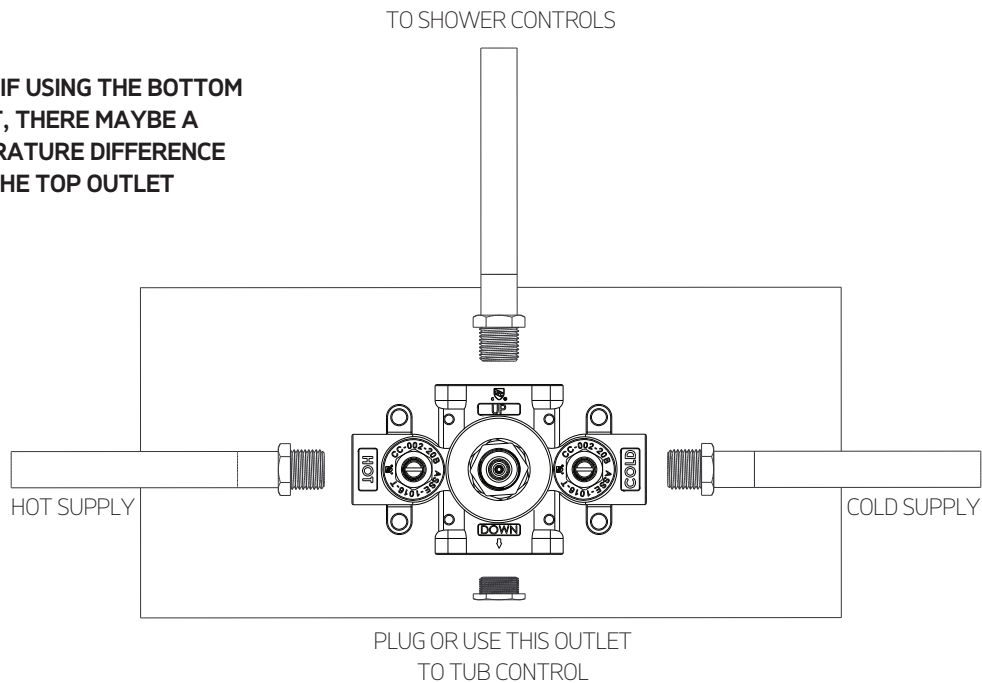


F904A-V0

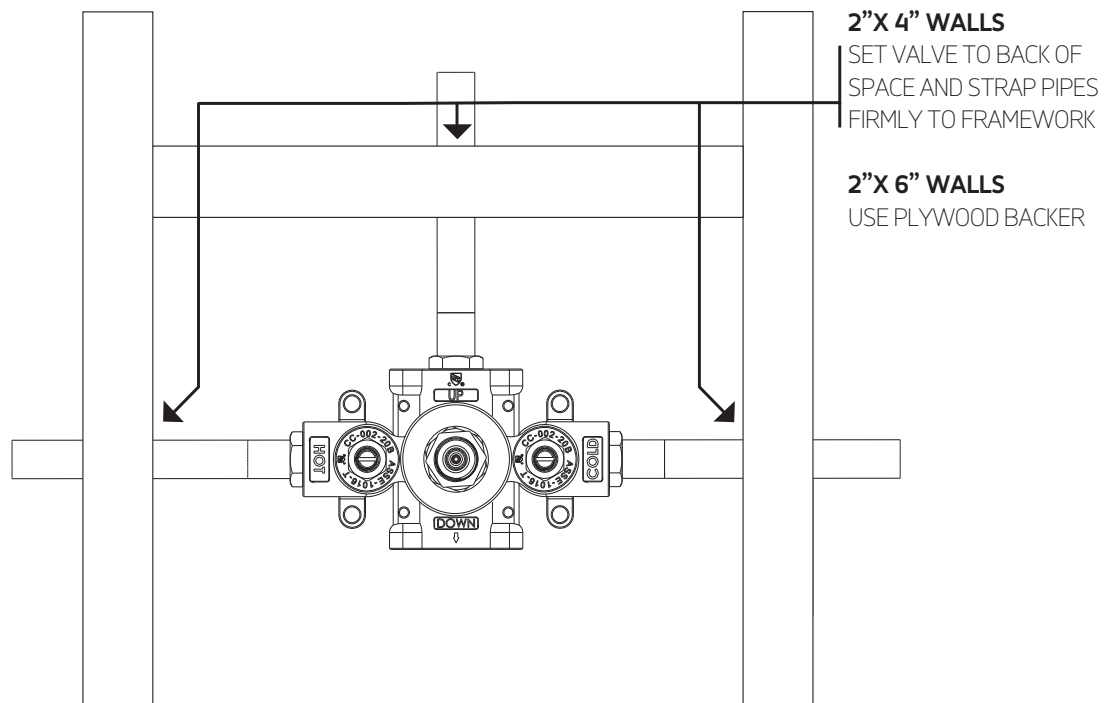
3/4" thermostatic valve only

STEP 1 IMPORTANT: IF USING HEAT NEAR THE VALVE BODY PLEASE REMOVE CARTRIDGE.

*NOTE, IF USING THE BOTTOM OUTLET, THERE MAYBE A TEMPERATURE DIFFERENCE FROM THE TOP OUTLET

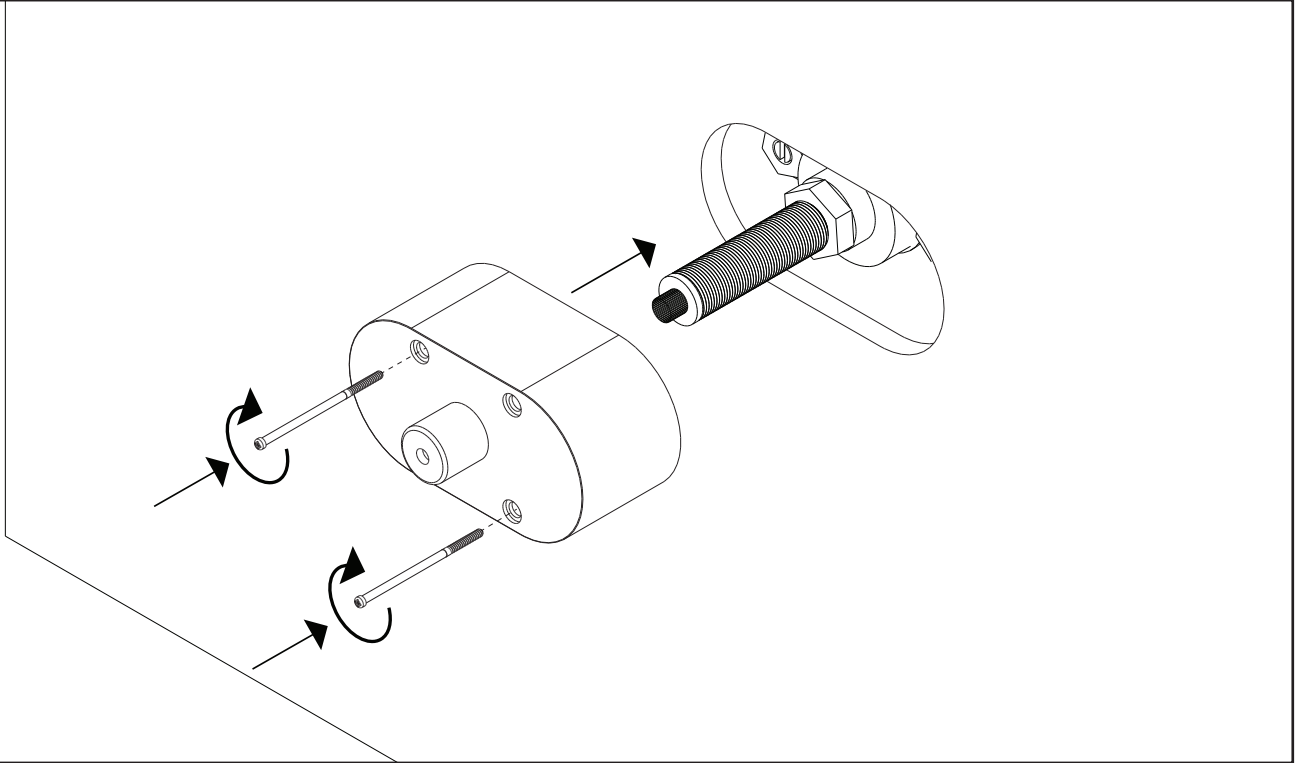


STEP 2

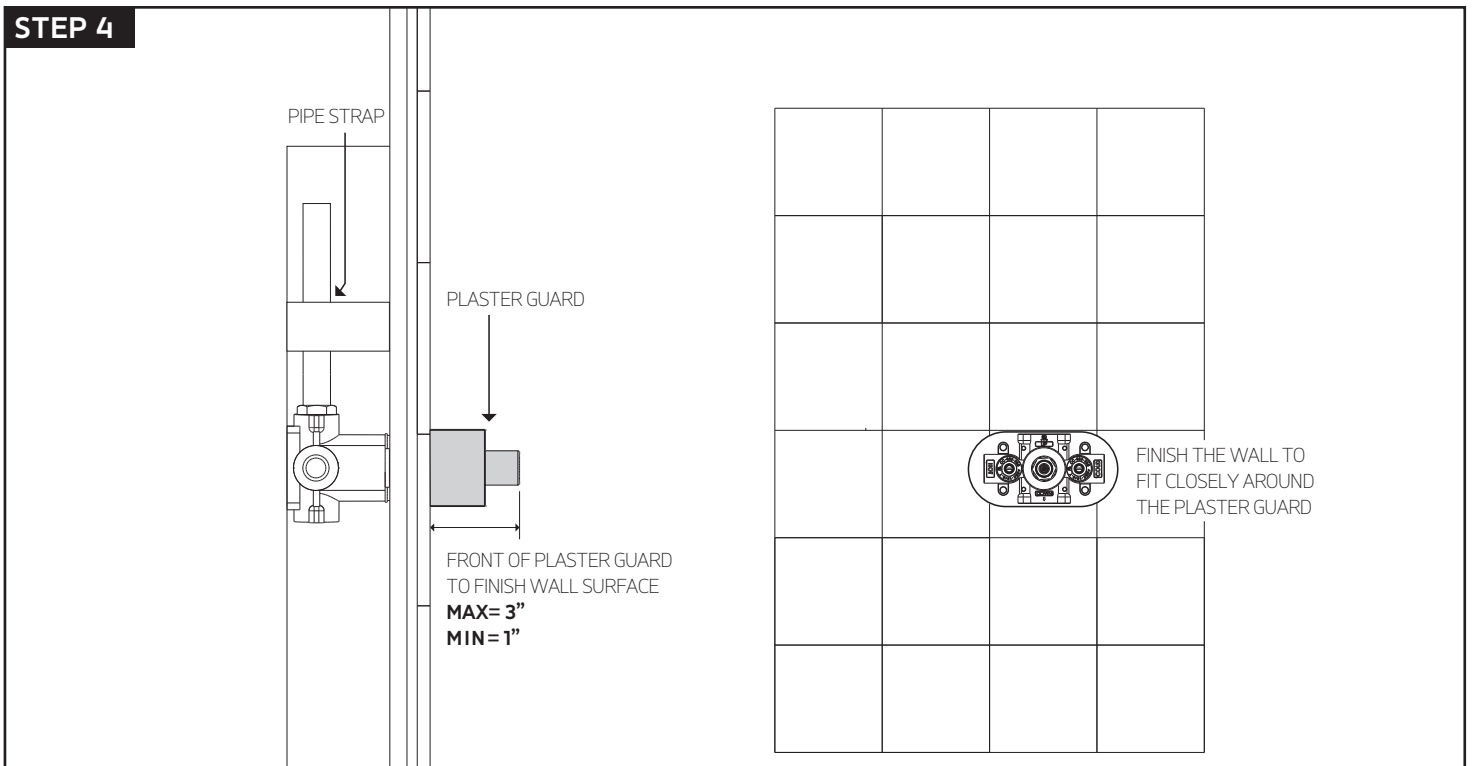


INSTALLATION STEPS

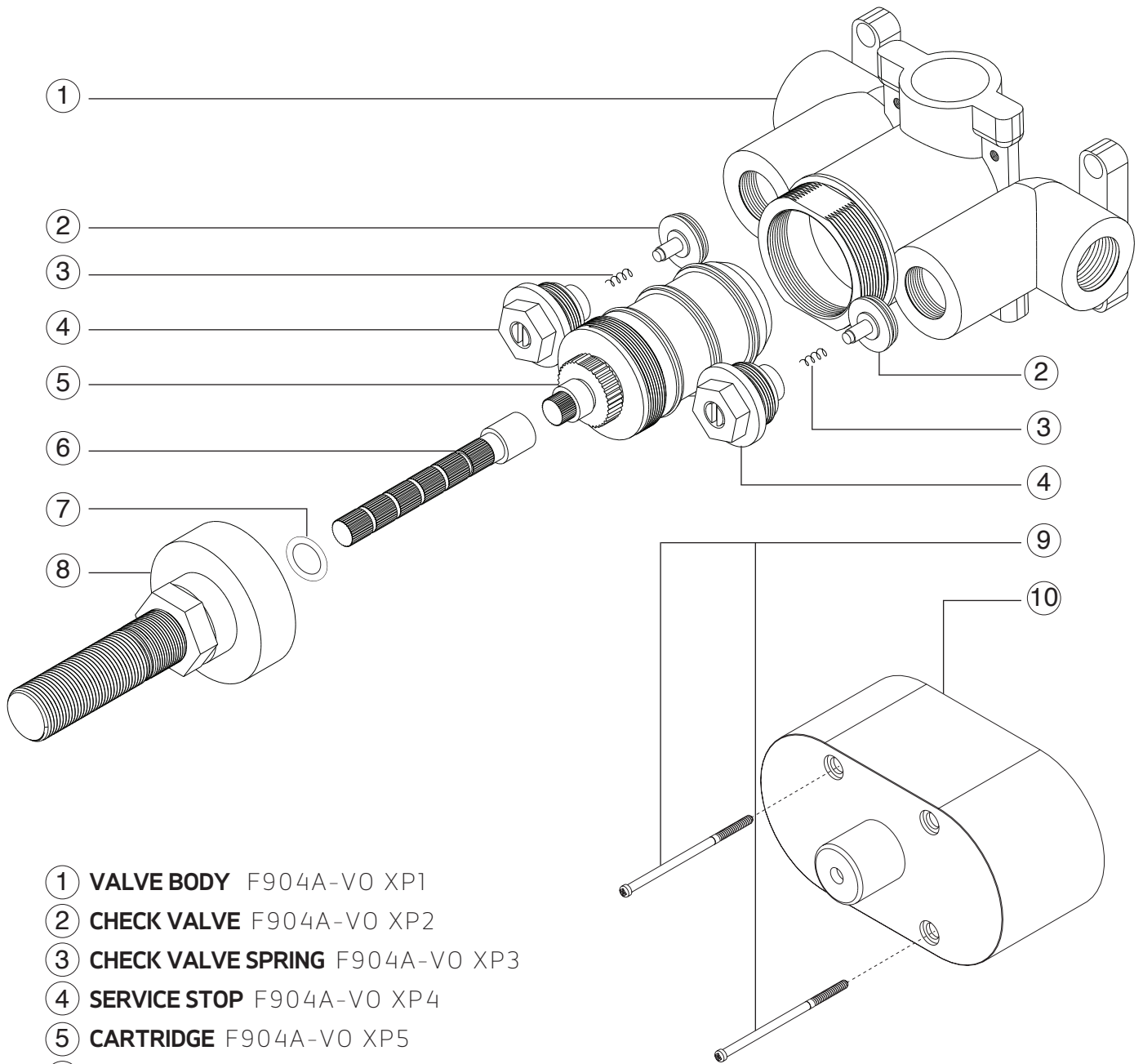
STEP 3



STEP 4



3/4" thermostatic valve only



- ① **VALVE BODY** F904A-V0 XP1
- ② **CHECK VALVE** F904A-V0 XP2
- ③ **CHECK VALVE SPRING** F904A-V0 XP3
- ④ **SERVICE STOP** F904A-V0 XP4
- ⑤ **CARTRIDGE** F904A-V0 XP5
- ⑥ **HANDLE STEM** F904A-V0 XP6
- ⑦ **STEM WASHER** F904A-V0 XP7
- ⑧ **ESCUTCHEON STEM** F904A-V0 XP8
- ⑨ **PLASTER GUARD SCREWS** F904A-V0 XP9
- ⑩ **PLASTER GUARD** F904A-V0 XP10

artos®

F904A-VO

CARE & MAINTENANCE

3/4" thermostatic valve only

For best results, keep the following in mind to retain the high quality finish of your artos® faucets:

- Use a soft, dampened sponge or cloth. On no account should you use an abrasive material such as a brush, scouring pad or steel wool to clean surfaces.
- Test your cleaning agent solution on an inconspicuous area before applying to the entire faucet.
- Wipe surfaces clean and rinse completely with water immediately after applying cleaning agent.
- An ideal cleaning technique is to rinse faucet thoroughly and blot dry any water from the surface after each use.

LIMITED LIFETIME WARRANTY

Artos® Limited Lifetime Warranty

Artos® faucets have been manufactured under the highest quality and manufacturing standards. Artos® faucets are guaranteed for life against leaks and manufacturing defects for as long as the original consumer purchaser owns it. This warranty applies to installations in the US, Canada and Mexico (North America). Commercial, Industrial or business uses are warranted for a period of one year from the original date of purchase.

This warranty is non-transferable and applies exclusively to the original owner or end-user. If a defect is found during normal use, Artos® will, at its election, repair, replace or make an appropriate adjustment. Damage caused by accident, misuse, abuse, improper installation or alteration will void the warranty. This warranty does not cover replacement parts where damage is caused by normal wear and tear. Labor charges, installation or other incidental or consequential costs will not be covered.

Replacement parts that qualify for warranty repair can be obtained by contacting Artos® at 1-877-9ARTOS9 or by e-mail at info@artos.us.com. Proof of purchase (original sales receipt) from the original consumer purchaser must accompany all warranty claims. When submitting your claim in writing, please provide your name, address and telephone number.

Please register this product online at WWW.ARTOS.US.COM

Item No : **F 904A-VO**
Serial No :