

# inox<sup>®</sup> Template for RA/SE/SH with Tubular Latch

Unlock your imagination

◀ Fold here on the edge of door

For 1-3/4" (45mm) door

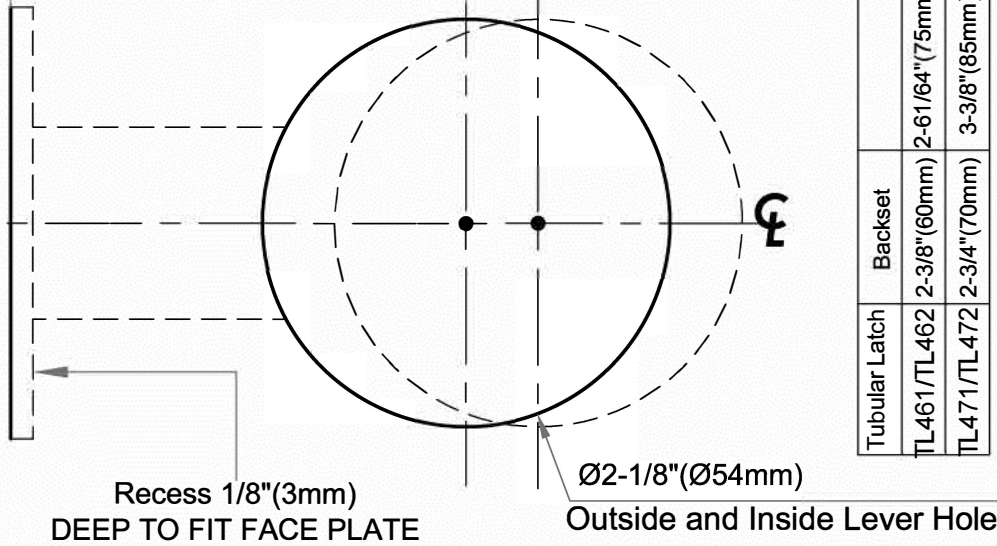
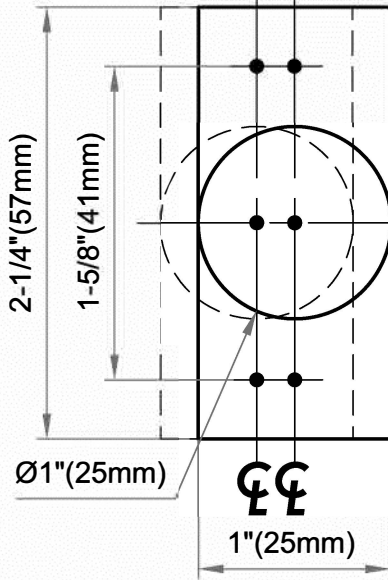
7/8" (22.5mm)

11/16" (17.5mm)

TL471/472: 2-3/4" (70mm) Backset

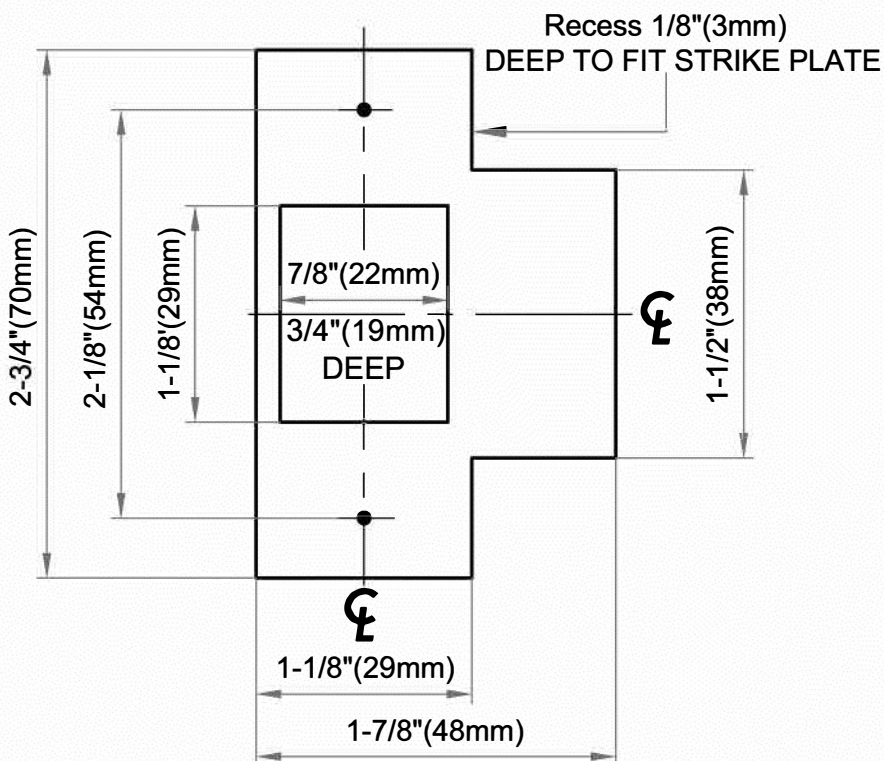
TL461/462: 2-3/8" (60mm) Backset

For 1-3/8" (35mm) door

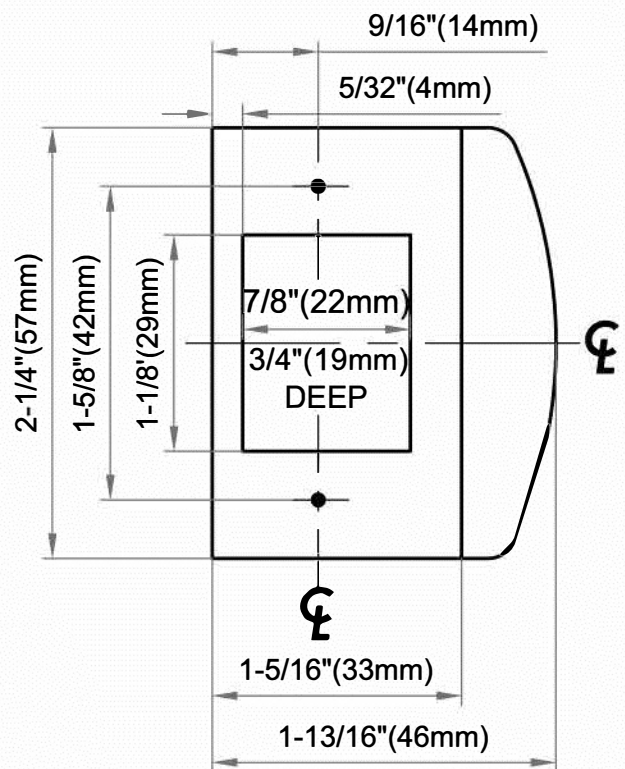


Tubular Latch	Backset	Case Side
TL461/TL462	2-3/8" (60mm)	2-61/64" (75mm) x 1 1/16" (18mm) x 7/8" (22mm)
TL471/TL472	2-3/4" (70mm)	3-3/8" (85mm) x 1 1/16" (18mm) x 7/8" (22mm)

## T-Strike



## Full Lip Strike



Dimensions do not provide allowances for door silencers.