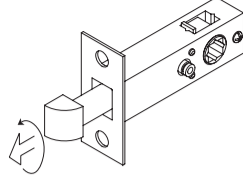


Change Latch Bolt Direction For TL2 Latch

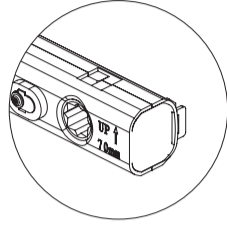
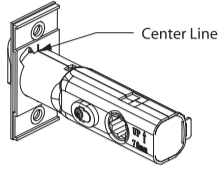
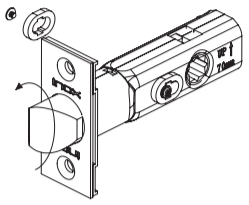
TL2 Latch
45 degree retraction latch

Take out the latch and turn 180°



Change Latch Bolt Direction For TL4 Latch

TL4 Latch
28 degree retraction latch



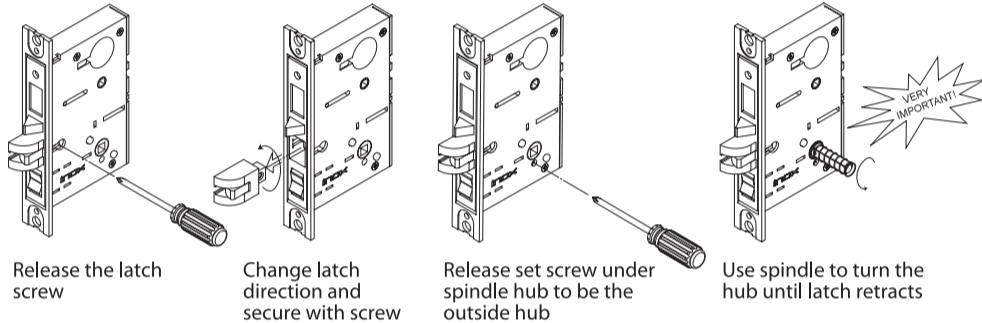
Determine door handing for latch and remove INSIDE washer (privacy pin side). Change the latch direction 180° with the faceplate together.

Note: Be sure to install the latch with faceplate attached to the latch body.

Note: Please ensure the center line on the back of the faceplate meets the center seam of the latch case.

Note: Please ensure the latch has the Arrow facing up.

Change Latch Bolt Direction For MC Mortise Lock



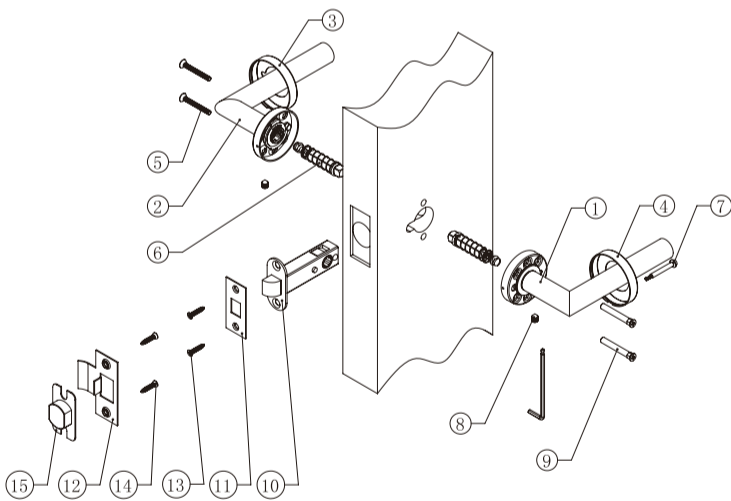
Release the latch screw

Change latch direction and secure with screw

Release set screw under spindle hub to be the outside hub

Use spindle to turn the hub until latch retracts

GT/GS Rose with Tubular Latch Parts List:



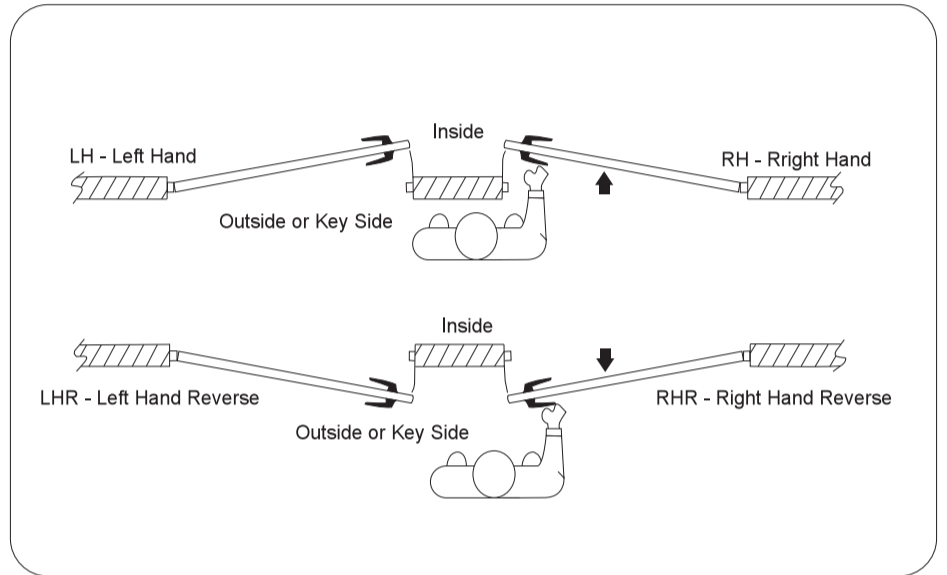
Items	No.	Parts Description	Function				
			Privacy	Passage	Full Dummy	Half Dummy	Half Passage
Leverset Parts	1	GT Rose Outside w/Lever	1 EA	1 EA	1 EA	1 EA	1 EA
	2	GT Rose Inside w/Lever	1 EA	1 EA	1 EA	-	-
	3	GT Inside Rose Cover	1 EA	1 EA	1 EA	-	1 EA
	4	GT Outside Rose Cover	1 EA	1 EA	1 EA	1 EA	1 EA
	5	M4 x 1-3/8" (35mm) Machine Screw	2 EA	2 EA	-	-	2 EA
	6	8x1-3/4" (45mm) Spring Spindle	2 EA	2 EA	-	-	1 EA
	7	Privacy Pin	1 EA	-	-	-	-
	8	Set Screw	2 EA	2 EA	2 EA	1 EA	1 EA
	9	M4x40mm Bolt Sleeves	2 EA	2 EA	-	-	2 EA
Locks	-	#8x1" Wood Screws	-	-	8 EA	4 EA	-
	10	Tubular Latch	1 EA	1 EA	-	-	1 EA
	11	Tubular Latch Faceplate	1 EA	1 EA	-	-	1 EA
	12	Tubular Latch Striking Plate	1 EA	1 EA	-	-	1 EA
	13	8# Screws for tubular latch faceplate	2 EA	2 EA	-	-	2 EA
	14	8# Screws for tubular latch striking plate	2 EA	2 EA	-	-	2 EA
Others	15	Tubular Latch Dust Box	1 EA	1 EA	-	-	1 EA
	-	Door Prep Template	1 EA	1 EA	-	-	1 EA
	-	Installation Instruction	1 EA	1 EA	1 EA	1 EA	1 EA

GT/GS/GR/SR Installation Instructions

Tubular Latch
Mortise Lock
Privacy Bolt

(PM-TM2000-V120522)

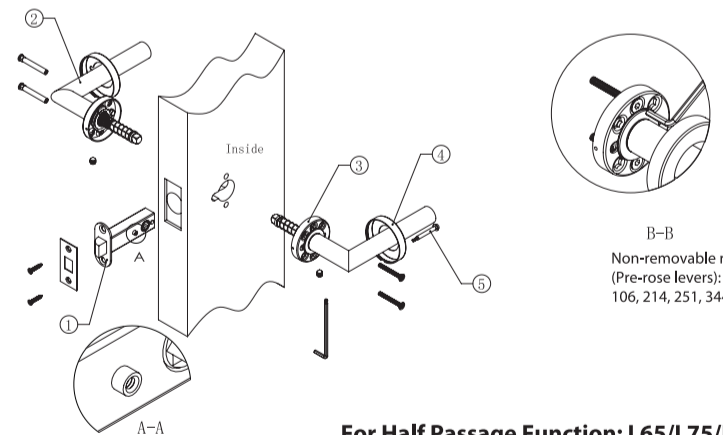
Determine Door Handing and Set Lock Case Direction



GT/GS Rose with Tubular Latch Installation Instructions:

For Passage/Privacy Function: L61/L62/L461/L462/L71/L72/L471/L472

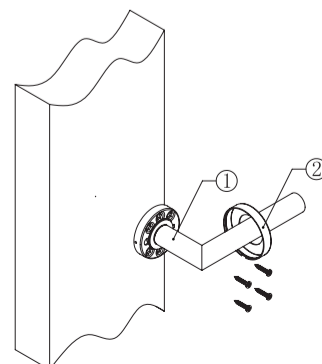
1. Install tubular latch with 2x #8 Screws.
Note: For privacy, privacy pin hub with thread facing inside of door – see Section A.
2. Install outside lever with 2 EA M4x40mm bolt sleeves.
3. Install inside lever with 2 EA M4x35mm machine screws; Then tightening the set screw using allen key.
Note: For non-removable rose designs, use M4x35mm hexagon with allen key, see Section B.
4. Mount inside and outside rose cover (snap-on)
Note: Please ensure levers on both sides are at horizontal level before tightening machine screws.
5. For privacy function, insert privacy pin into latch privacy pin hub (Section A).



B-B
Non-removable rose designs
(Pre-rose levers):
106, 214, 251, 344, 379

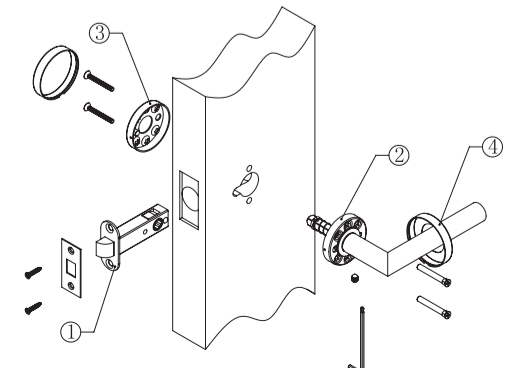
For Dummy Function: DL or DR

1. Install lever with 4 x #8 wood screws
Note: Please ensure the lever is at horizontal level before tightening wood screws.
2. Mount rose cover.

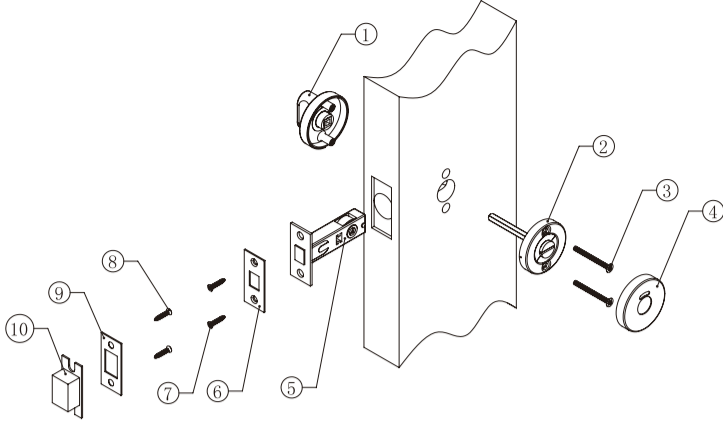


For Half Passage Function: L65/L75/L465/L475

1. Install tubular latch with 2x #8 Screws.
2. Install outside lever with 2 EA M4x40mm bolt sleeves.
3. Mount inside sub rose with 2 EA M4x35mm machine screws. Then tightening the set screw using allen key.
Note: For non-removable rose designs, use M4x35mm hexagon with allen key, see Section B.
4. Mount inside and outside rose cover.
Note: Please ensure the lever is at horizontal level before tightening machine screws.



GT/GS Privacy Bolt

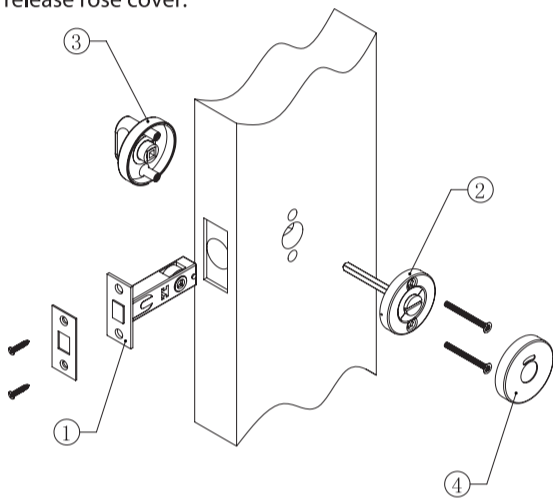


Parts List

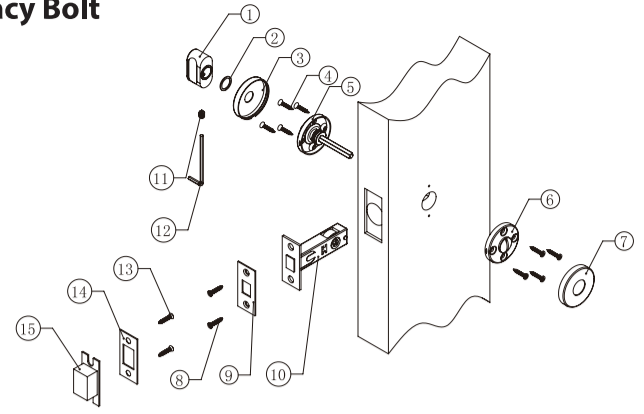
- | | |
|---|--|
| 1. GT/GS Inside Rose with Thumb-turn | 5. Tubular Privacy Bolt |
| 2. GT/GS Outside Less Cover | 6. Faceplate for Privacy Bolt |
| 3. 2 x M4 Machine Screws | 7. Screws for Face plate (2 x #8 Screws) |
| 4. GT/GS Outside Cover with or without Indicator Window | 8. Screws for Striking Plate (2 x #8 Screws) |
| | 9. Privacy Bolt Striking Plate |
| | 10. Privacy Bolt Dust Box |

Installation Steps

1. Install tubular deadbolt latch with 2 x #8 Screws.
Note: Please ensure the latch tongue is inside latch casing.
2. Mount privacy release rose with spindle.
3. Mount privacy thumb-turn with rose and then tightening the release rose with 2 EA machine screws.
4. Mount privacy release rose cover.



GR/SR Privacy Bolt

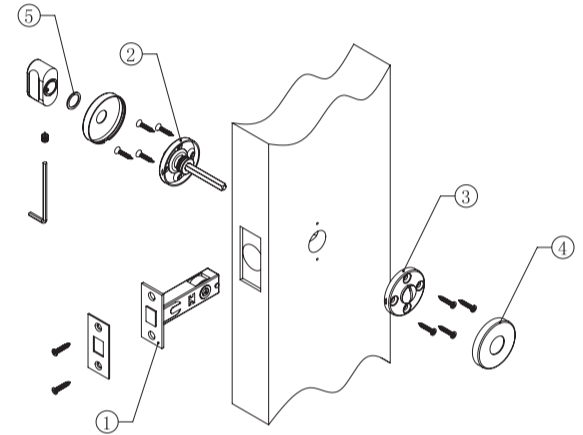


Parts List

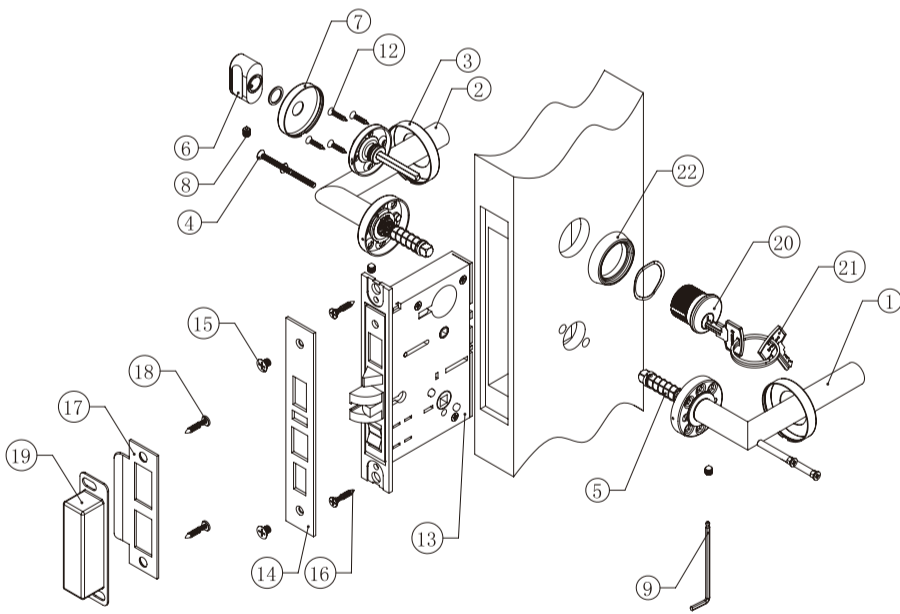
- | | |
|---|---|
| 1. GR/SR Thumb-turn | 8. Screws for Face plate (2 x #8 Screws) |
| 2. Thumb-turn Washer | 9. Faceplate for Privacy Bolt |
| 3. GT/SR Privacy Escutcheon | 10. Tubular Privacy Bolt |
| 4. 8 x #6 Wood Screws | 11. Set Screw for Thumb-turn |
| 5. GR/SR Inside Less Cover | 12. Allen Key |
| 6. GR/SR Outside sub cover with release | 13. Screws for Striking Plate (2 x #8 Screws) |
| 7. GR/SR Outside Cover | 14. Privacy Bolt Striking Plate |
| | 15. Privacy Bolt Dust Box |

Installation Steps

1. Install tubular deadbolt latch with 2 x #8 Screws.
Note: Please ensure the latch tongue is inside latch casing.
2. Mount privacy thumb-turn rose with spindle with 4 x #6 screws.
3. Mount privacy release rose with 4 x #6 screws.
4. Mount the privacy release rose cover.
5. Mount thumb-turn rose cover and clear washer before mounting thumb-turn piece. Tighten the set screw inside thumb-turn piece using allen key.



GT/GS Rose with MC Mortise Lock Parts List:

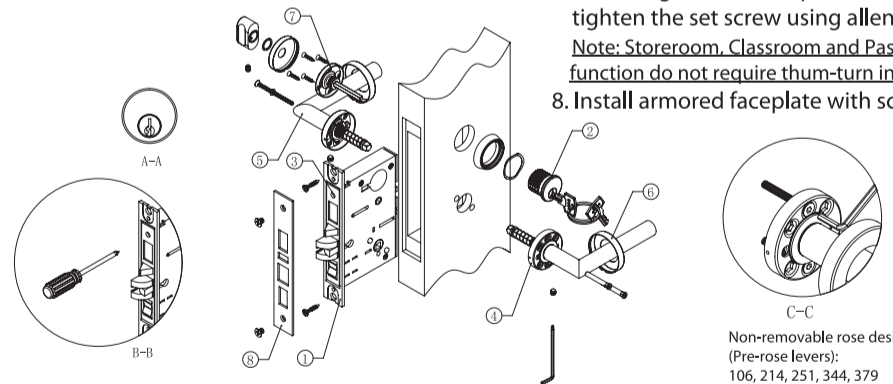


Items	No.	Parts Description	Function			
			Entry (F20/F04/F38)	Classroom (F05) Storeroom (F07)	Privacy (F22)	Passage (F01)
Leverset Parts	1	GT/GS Roses outside w/ Lever & Cover	1 EA	1 EA	1 EA	1 EA
	2	GT/GS Roses Inside w/ Lever	1 EA	1 EA	1 EA	1 EA
	3	GT/GS Inside rose Cover	1 EA	1 EA	1 EA	1 EA
	4	M4x1-3/8"(35mm) Machine Screw	2 EA	2 EA	2 EA	2 EA
	5	8x1-3/4"(45mm) spring Spindles	2 EA	2 EA	2 EA	2 EA
	6	TT04 Thumb-turn rose with Spindle	1 EA	—	1 EA	—
	7	Thumb-turn rose cover	1 EA	—	1 EA	—
	8	M6 Set Screw for t-turn	1 EA	—	1 EA	—
	9	3mm Allen Key	1 EA	1 EA	1 EA	1 EA
	10	Privacy Release	—	—	1 EA	—
	11	Privacy Release rose cover	—	—	1 EA	—
	12	#6 screws for TT04 Thumb-turn	4 EA	—	4 EA	—
Locks and Cylinders	13	Mortise Lock Case	1 EA	1 EA	1 EA	1 EA
	14	Armored Faceplate	1 EA	1 EA	1 EA	1 EA
	15	#8 screws for Armored Faceplate	2 EA	2 EA	2 EA	2 EA
	16	#10 screws for Inner Faceplate	2 EA	2 EA	2 EA	2 EA
	17	Striking Plate	1 EA	1 EA	1 EA	1 EA
	18	Screws for Striking Plate	2 EA	2 EA	2 EA	2 EA
	19	Dust Box	1 EA	1 EA	1 EA	1 EA
	20	Mortise Cylinder	1 EA	1 EA	—	—
	21	Key	2 EA	2 EA	—	—
	22	Cylinder Escutcheon Ring	1 EA	1 EA	—	—
Others	—	Door Prep Template	1 EA	1 EA	1 EA	1 EA
	—	Installation Instruction	1 EA	1 EA	1 EA	1 EA

GT/GS Rose with MC Mortise Lock Installation Instructions:

For Entry, Storeroom, Classroom, Passage Function: MC720, MC738, MC704, MC705, MC707, MC701

1. Install mortise lockcase;
▲ Note: Do NOT tighten faceplate screws until after installing cylinder.
2. Screw on cylinder with escutcheon ring.
Note: Key slot on cylinder should be on lower off-center position. See Section A-A
Note: Use keys to test cylinder and make sure cylinder cam operates deadbolt smoothly.
3. Use a screw driver to tighten yoke inside lock case through faceplate to fix the cylinder in position. See Section B-B
4. Install outside lever with 2 EA M4x40mm bolt sleeves.
5. Install inside lever with 2 EA M4x35mm machine screws; Then tightening the set screw using allen key.
Note: For non-removable rose designs, use M4x35mm hexagon with allen key, see Section C
Note: Please ensure levers on both sides are at horizontal level before tightening machine screws.
6. Mount inside and outside rose covers (snap on).
7. For entry function, mount privacy thumb-turn rose with 4x#6 screws. Mount rose cover and clear washer before mounting thumb-turn piece. Then tighten the set screw using allen key.
Note: Storeroom, Classroom and Passage function do not require thumb-turn inside.
8. Install armored faceplate with screws.



Non-removable rose designs (Pre-rose levers): 106, 214, 251, 344, 379

For Privacy Function: MC722

1. Install mortise lockcase.
Note: Do NOT tighten faceplate screws until after installing cylinder.
2. Install outside lever with 2 EA M4x40mm bolt sleeves.
3. Install inside lever with 2 EA M4x35mm machine screws, then tighten the set screw using the allen key.
Note: For non-removable rose designs, use M4x35mm hexagon with allen key, see Section C
Note: Please ensure levers on both sides are at horizontal level before tightening machine screws.
4. Mount inside and outside rose cover.
5. Mount privacy thumb-turn rose with spindle with 4 x #6 screws.
6. Mount privacy release rose with 4 x #6 screws.
7. Mount the privacy release rose cover.
8. Mount thumb-turn rose cover and clear washer before mounting thumb-turn piece. Tighten the set screw inside thumb-turn piece using allen key.

