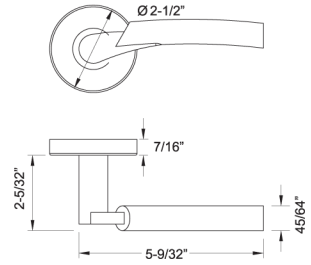


# 223 Phoenix



### Material

Stainless Steel Levers and Escutcheons

### Standard Finishes

- Satin Stainless Steel (630/US32D)
- Two-Tone Satin and Polished Stainless Steel (SP)

### Functions

**Tubular Latch Set w/RA, SE, GT\* Rose**  
 Passage, 2-3/8" backset = L61  
 Passage, 2-3/4" backset = L71  
 Privacy, 2-3/8" backset = L62  
 Privacy, 2-3/4" backset = L72  
 Single Dummy Left = DL  
 Single Dummy Right = DR  
 Full Dummy = DL + DR  
 Communicating/Exit;  
 2-3/8" backset = CM6  
 2-3/4" backset = CM7  
 \* See Page 3.1 for RA/SE Rose details  
 GT rose coming soon

**Tubular Entry Set w/Deadbolt & w/LA Plate or SF Plate;**  
 2-3/8" backset = C63  
 2-3/4" backset = C73  
 \* See Page 3.3 for details

**Mortise Handle Set w/NY Plate MR Mortise Backset: 2-3/4"**  
 Entrance = MR720  
 Dummy = EDP  
 \* See Page 3.6 for details

### Door Thickness

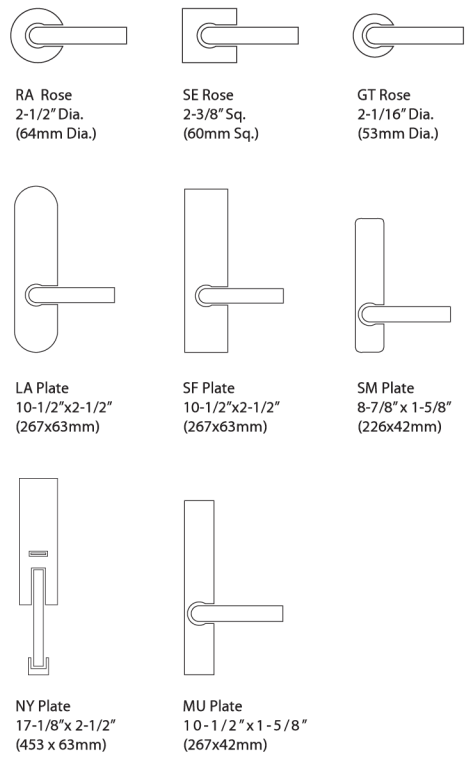
1-3/8" to 1-3/4" (35mm to 44mm)  
 Thick door kits available.

### Features

- Concealed fixings
- Spring assisted chassis
- Same lever design with multiple escutcheons and functions to suit different applications



### Escutcheon Options



**Mortise Set w/RA, SE, GT Rose or w/LA, SF, SM\* Plate**  
 MC Mortise Backset: 2-3/4"  
 Passage = MC701  
 Privacy = MC722  
 Storeroom = MC707  
 Classroom = MC705  
 Entrance = MC720  
 Entry w/o Toggle = MC738  
 Entry w/o Deadbolt = MC704  
 Dummy = MDP  
 \* See Page 3.2 and 3.4 for details  
 GT and SM mortise set coming soon

**Multipoint Trim w/MU Plate\***  
 Key to Lever Distance: 3-5/8" (92mm)  
 Passage = MA10  
 Patio US Cylinder = MA15  
 Entry US Cylinder = MA55  
 Patio Euro Cylinder = MA25  
 Entry Euro Cylinder = MA35  
 Half Passage/Half Dummy = MA20  
 Full Dummy = MADP  
 \* MU plate coming soon

### How to Order/Specify:

Rose/Plate	Lever	Function	Finish	Handing*	Other
RA	223	L61	SP	-	-

\* Handing required on single dummy, entry, mortise, multipoint functions and custom set.