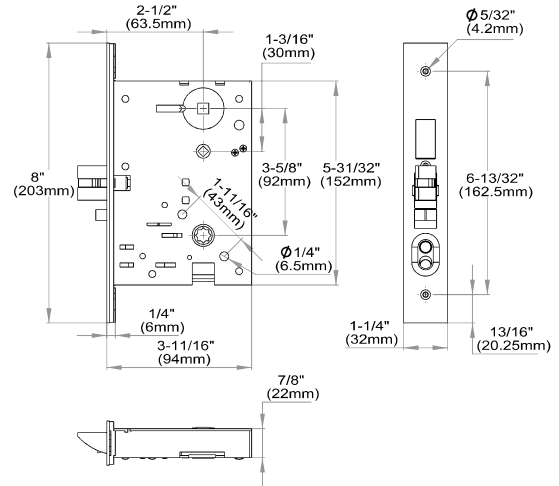


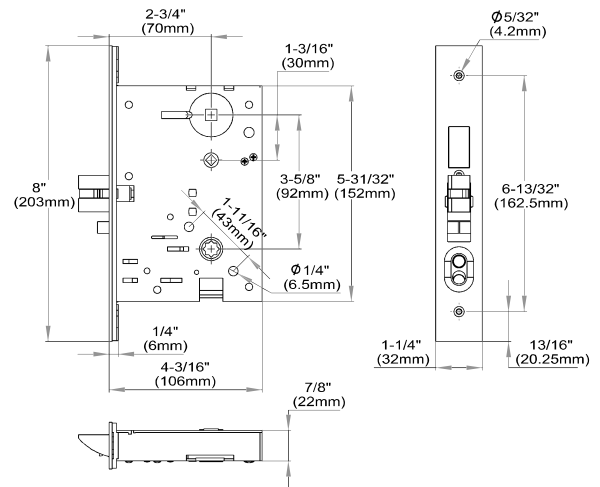
MT Mortise Lockcase



Lockcase Dimensions



MT620 Mortise Lock Dimensions



MT720 Mortise Lock Dimensions

MT Mortise Lockcase

For all Mortise Handle Sets only
w/faceplate, strike and dustbox (less cylinder)

Illustration	Backset	Function	Item Code
	2-1/2"	Entry w/ Toggle	MT620- 32D/32/10B
	2-3/4"	Entry w/ Toggle	MT720- 32D/32/10B

* MT Lock built-in toggle buttons are set to be locked by default, which deactivates the outside thumb-piece. This allows door to be kept locked even without using key or thumb-turn to engage deadbolt. Toggle can be manually set to unlocked position, in which case the outside thumb-piece will engage the latch bolt and act as a passage latch until the toggle is reset to locked position, either manually or set automatically by using thumb-turn or key.

MT Mortise Faceplate and Strike

Illustration	Function	Item Code
	MT Mortise Faceplate	MT-FSP20- 32D/32/10B
	MT Mortise Strike	LSR-MT01- 32D/32/10B
	MT Mortise Strike Dust Box	LSR-DBX-MT