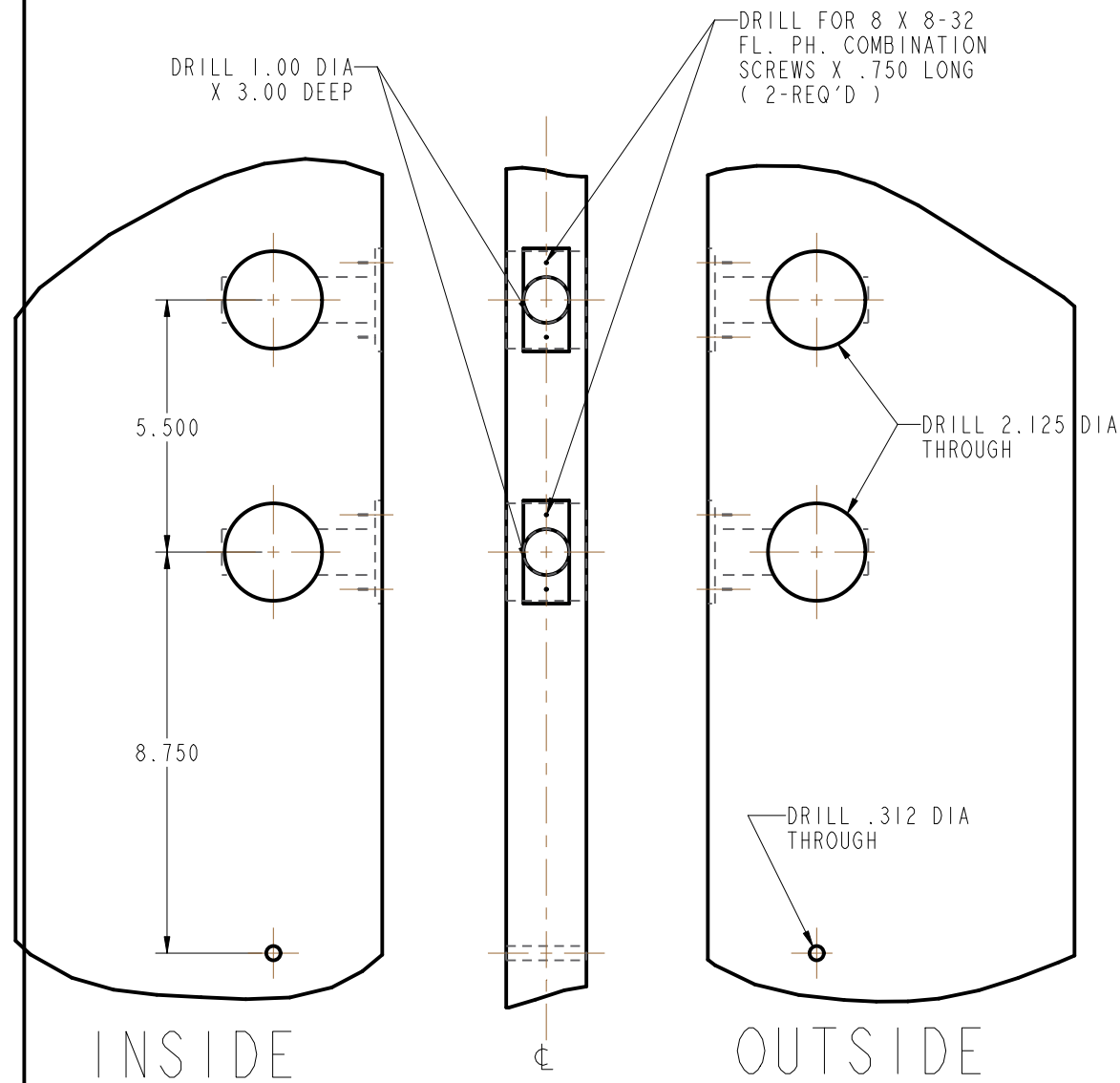
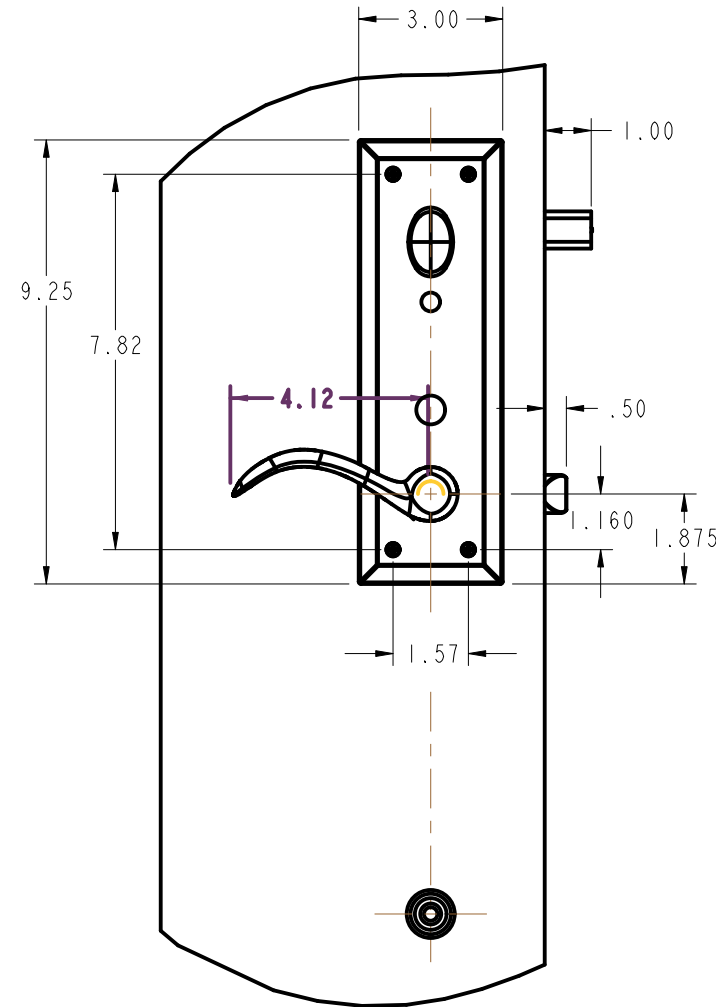


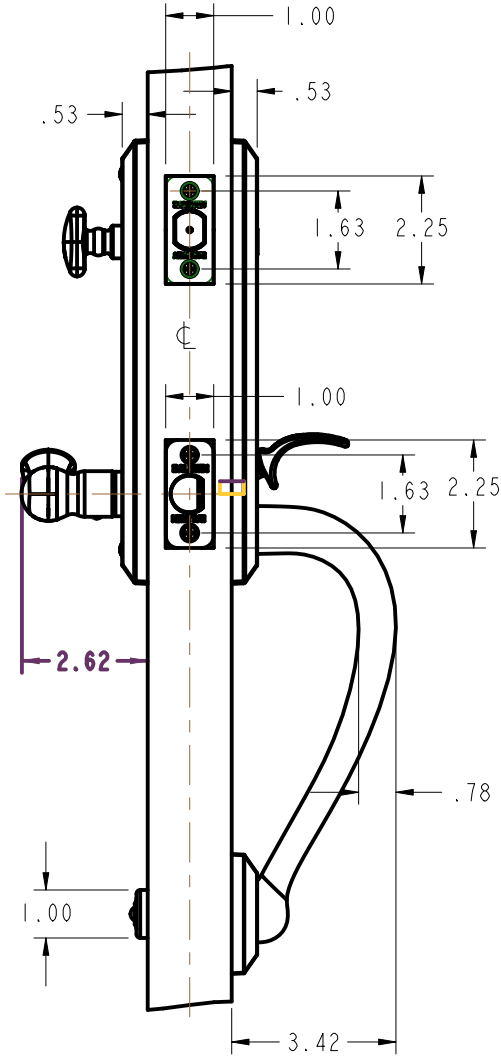
DOOR DETAIL



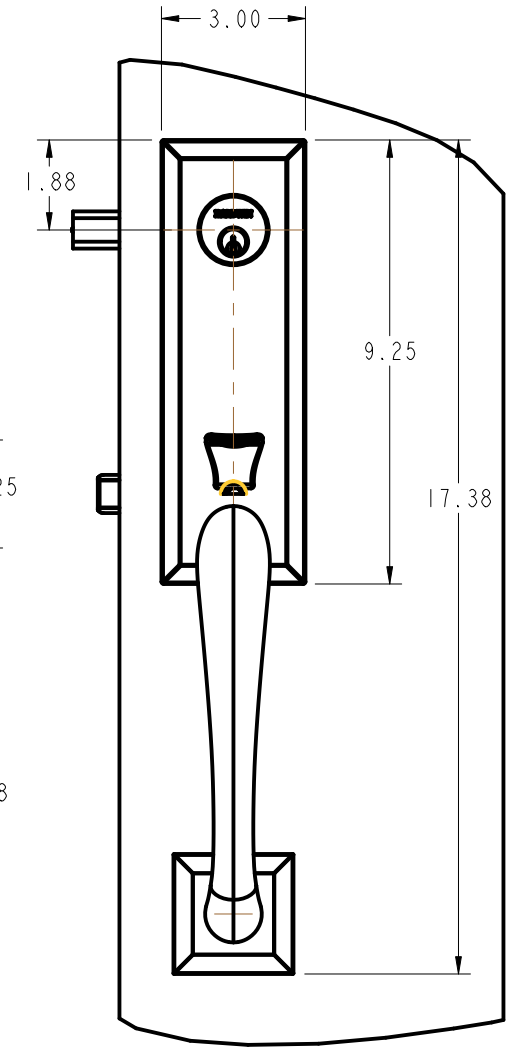
INSIDE



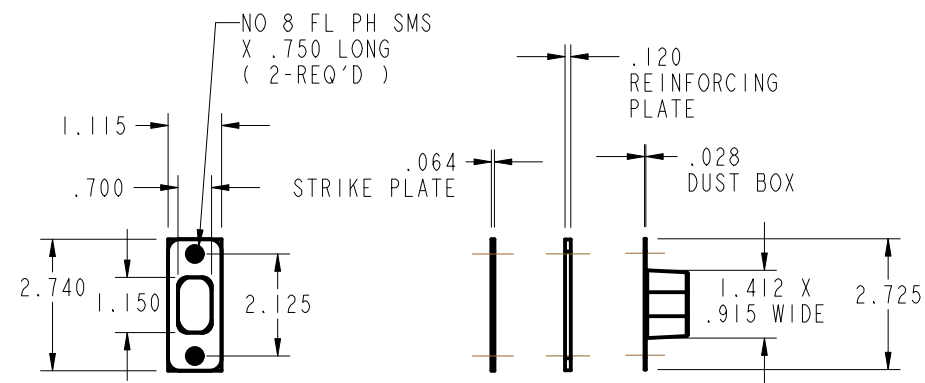
TRIM DETAIL



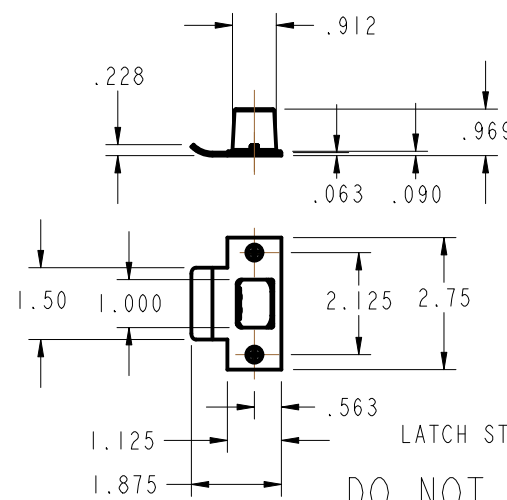
OUTSIDE



EFFECTIVE 02/14/07



DEADBOLT STRIKE, REINFORCEMENT PLATE, & DUST BOX DETAIL



DO NOT SCALE DRAWING

<p>BALDWIN HARDWARE CORPORATION READING, PENNSYLVANIA</p>	<p>A BLACK & DECKER COMPANY</p>
<p>TEMPLATE: NO VARIATIONS</p>	<p>TEMPLATE NO.</p>
<p>© 2006 BY BALDWIN HARDWARE CORPORATION</p>	<p>IM062</p>