



BALDWIN®

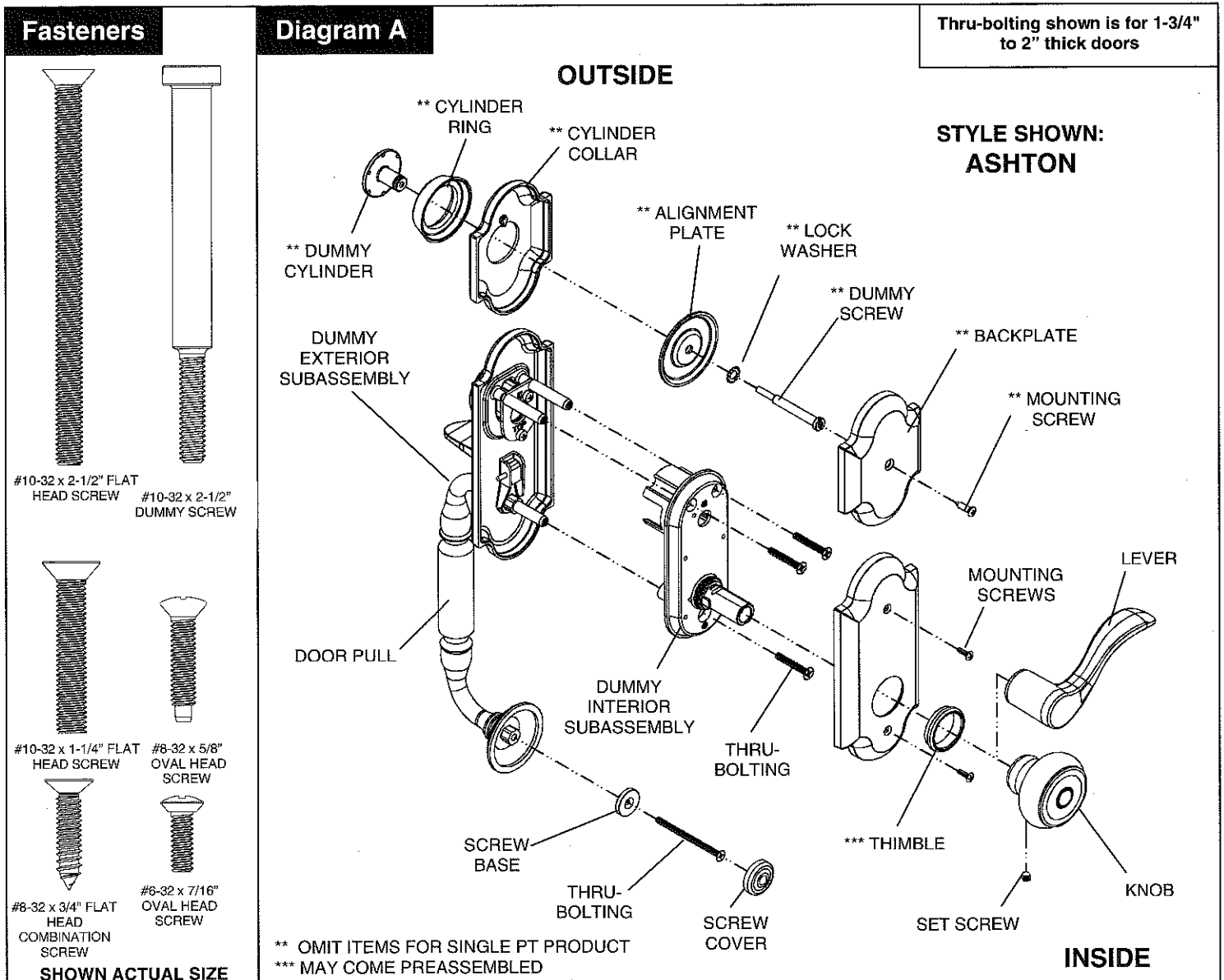
2-POINT DUMMY LOCK INSTALLATION INSTRUCTIONS

TOOLS REQUIRED

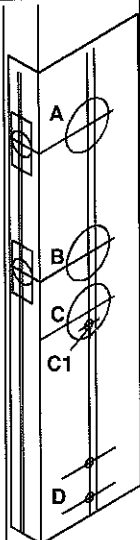
- | | |
|---|--|
| 1. Pencil | 7. Lock Face Template |
| 2. No. 2 and No. 3 Phillips Head Screwdrivers | 8. Combination Square |
| 3. No. 1 and No. 2 Slotted Screw Drivers | 9. Awl |
| 4. 1/8" Allen Head Wrench | 10. Drill & Assorted Bits: 1/8", 5/32", 5/8", 3/4", 1", 2-1/8" |
| 5. 3/4" Wood Chisel or Corner Chisel | 11. Screw Wax or Soap |
| 6. Measuring Device | 12. Powdered Chalk or Graphite |

NOTE: In order to successfully install a tubular lock and trim, a minimum of average skill level is required with use of the above listed tools. Backset is located from low side of beveled door; please adjust accordingly for non-beveled doors.

Read and understand the provided instructions BEFORE attempting to mark or cut the door and/or frame. If there are any questions before you begin installation, phone or visit your nearest Baldwin Distributor or contact the Technical Service Department at Baldwin at 1-800-437-7448.



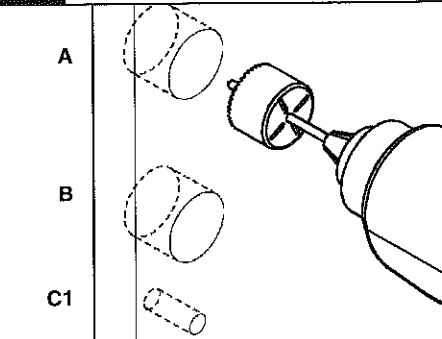
1 DETERMINE HOLE LOCATIONS & MARK THE DOOR - (Use 2PT Lock Active & Dummy Templates)



For non-prepped doors: Mark the door at 38" above finished floor. Fold the **active** paper template and tape in place at the centerline of the lower 2-1/8" hole (C). Determine / Mark the backset & all other hole locations per the purchased style. **Align the dummy template to hole (B) and mark the 3/4" hole (C1).**

For factory prepped doors: Align the **active** template to existing holes and mark the appropriate door pull location (D). **Align the dummy template to hole (B) and mark the 3/4" hole (C1).**

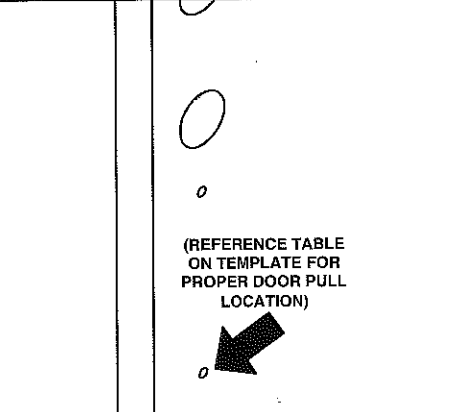
2 DRILL 2 POINT LOCK & DEADBOLT HOLES



For non-prepped doors: Remove the paper template. Using a 2-1/8" hole saw, bore the deadbolt (A) and 2 point lock (B) hole at the marked locations. Drill the 3/4" hole (C1).

For factory prepped door: Only drill the lower 3/4" hole (C1).

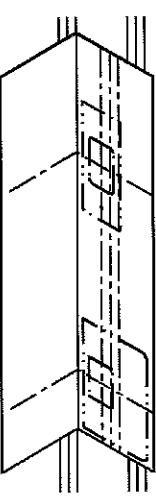
3 DRILL DOOR PULL HOLE



(REFERENCE TABLE ON TEMPLATE FOR PROPER DOOR PULL LOCATION)

Drill door pull hole (D) as previously marked from door template (Step 1).

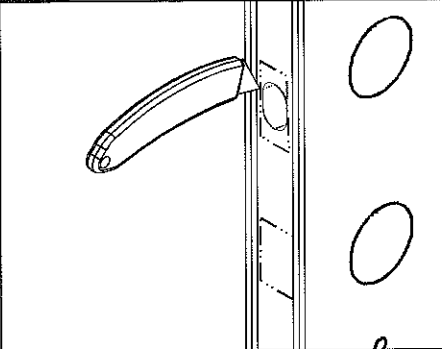
4 MARK DOOR WITH STRIKE TEMPLATE



*** Apply any weather-stripping before installing strike(s).**

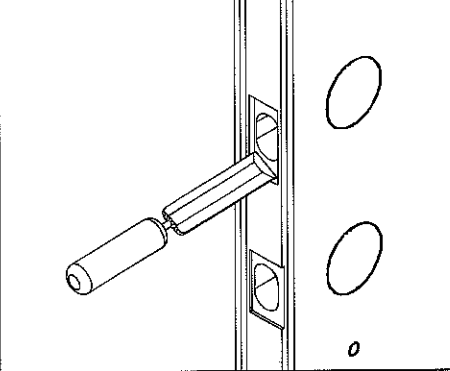
Mark deadbolt with chalk, lipstick or pencil. Shut door and throw deadbolt to transfer location to doorjamb. Using the supplied template, align strike hole template with center point. Mark center holes of latch bolt and outer corners of both strikes with a pencil.

5 DRILL HOLES & SCORE STRIKE PLATE OUTLINES



Mark drill point 5/16" above & below the center points.
Deadbolt: (2) 1" holes x 1-1/4" deep
Latch: (2) 1" holes x 1" deep
 Very carefully score strike plate outlines with utility knife.

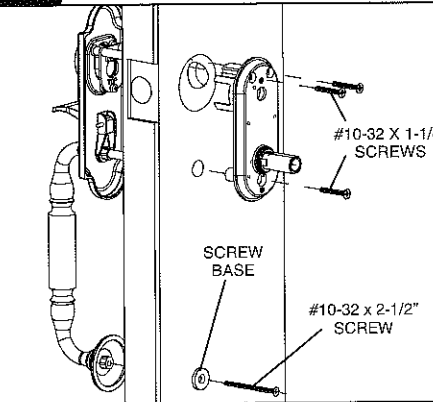
6 CHISEL STRIKE PLATE CAVITIES



Chisel out strike plate cavities.

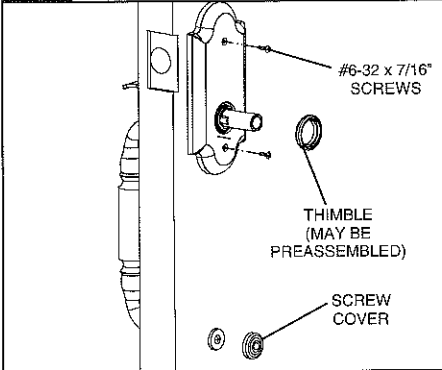
Deadbolt: cavity to be 7/32" deep
Latch: cavity to be 3/32" deep

7 INSTALL INTERIOR & EXTERIOR SUBASSEMBLY



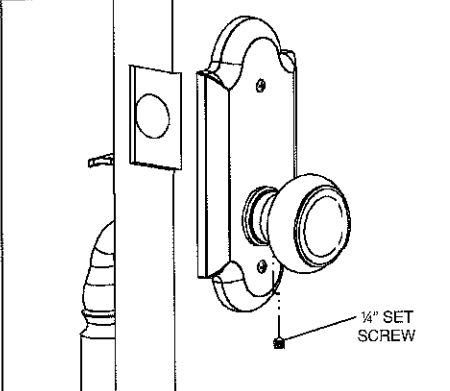
Install (3) #10-32 screws through interior assembly into exterior assembly screw posts. Install bottom door pull thru-bolt.

8 INSTALL INTERIOR PLATE & SCREW COVER



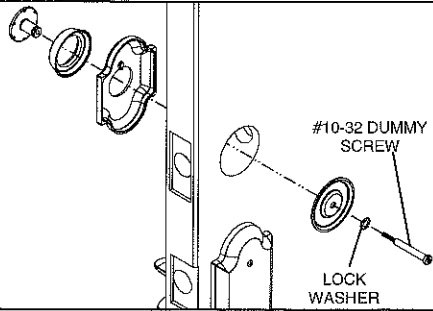
Install interior plate and thread thimble onto housing. Tighten with supplied tool. Secure interior plate with (2) #6 screws to interior mechanism. Install screw cover.

9 INSTALL KNOB / LEVER



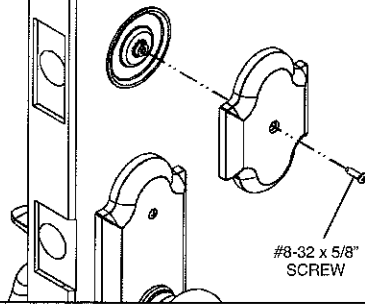
Slide knob or lever onto the mechanism housing. Tighten 1/4" set screw with supplied alien wrench.

10 INSTALL DUMMY DEADBOLT



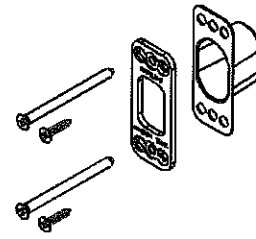
Assemble the dummy cylinder, cylinder ring and cylinder collar and place onto door. Insert the dummy screw into the lock washer and alignment plate. Thread screw into dummy cylinder and check orientation of cylinder collar.

11 INSTALL INTERIOR DUMMY BACKPLATE



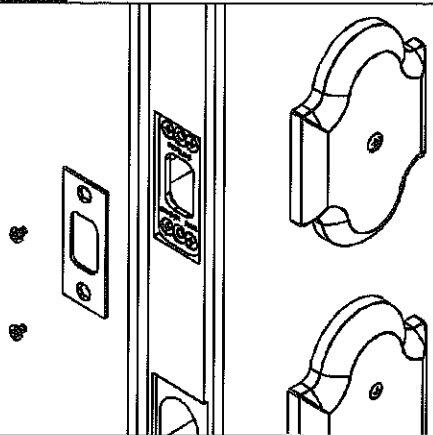
Place interior dummy backplate over alignment plate. Secure with #8-32 x 5/8" oval head screw.

12 INSTALL DEADBOLT DUST BOX & REINFORCING STRIKE



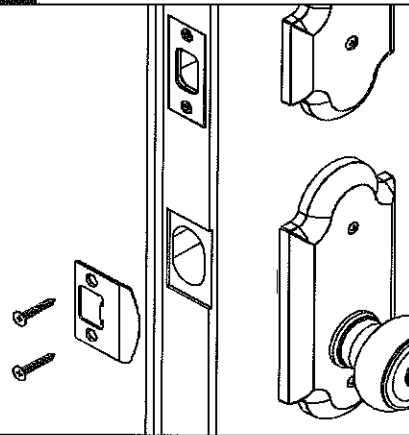
Using the reinforcing strike as a guide, pre-drill the screw holes. Install dust box and reinforcing strike. Ensure 3" screws for reinforcing strike are installed on the stop side of the plate.

13 INSTALL DEADBOLT STRIKE PLATE

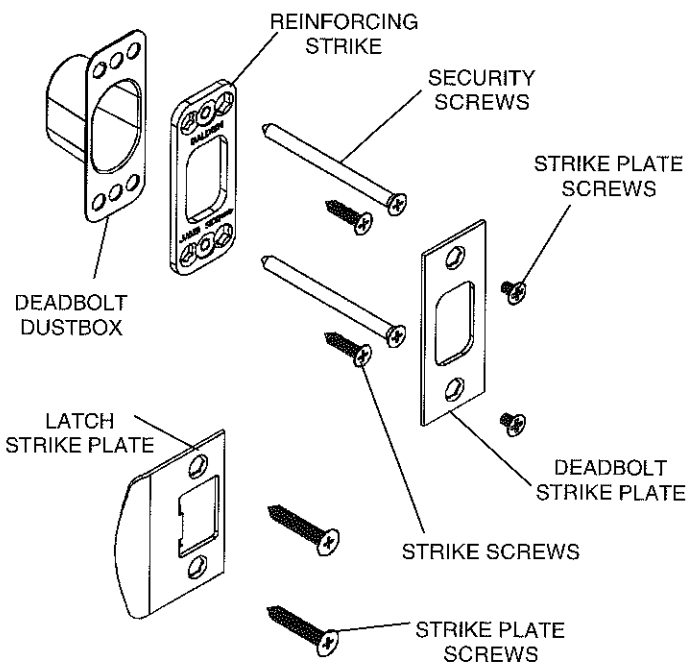


Install deadbolt strike plate.

14 INSTALL LATCH DUSTBOX & STRIKE PLATE



Using the strike as a guide, pre-drill the screw holes. Install strike plate.



General Notes:

Paper template is designed for 1-3/4" thick doors. For extra thick doors, measure backset from center of door edge. Tape supplied template to the door to locate placement of hole pattern of lock and trim. **** Paper template is located on the low side of the bevel on the door.**

When installing hardware on metal doors, ensure the door was designed to accommodate tubular locks. If in doubt, check with your local door distributor or door manufacturer.

Removal of hardware from doors is recommended before painting and finishing of the door. Allow finishing materials to fully cure before reinstalling hardware, usually ten days to two weeks. Check paint manufacturer instructions.

Retain these instructions in a safe place should you need to disassemble the lock trim or require Baldwin Hardware Corporation's assistance.