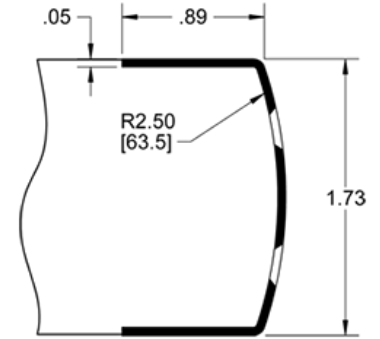


180Q

Mortise Door Edging

Notes:

- Cutout will hand edging; specify handing information
- Standard edge guards are made for 1-3/4" +0, -1/32" thick doors



PRODUCT SPECIFICATIONS

STANDARD LENGTHS:

- 36" - 42" (914 mm - 1067 mm)

MATERIALS:

- Aluminum, stainless steel

GAUGE:

- .045" - .050" (1.1 mm - 1.3 mm)

FINISHES:

- US28, US32D

FASTENERS:

- #6 x 5/8" FPH tapping screws

OPTIONS:

- Other lengths by quotation
- Hinge cutout available
- Latch cutout available
- UL rated edging available

ORDER:

- Provide item #, size and finish (i.e., 180Q - 40"-US32D)
- Provide actual rather than typical door thickness

CERTIFICATION:

- Meets ANSI A156.6 door edging type J201 through J212