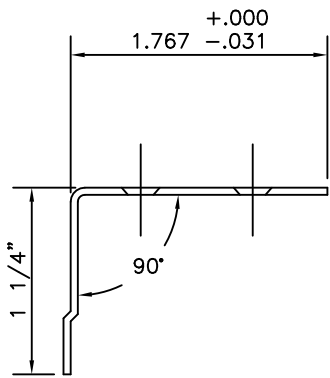
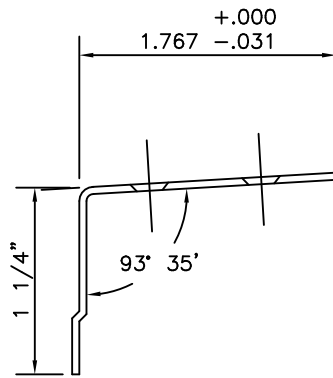


--EDGE GUARD STYLE GUIDELINES--
 181 SERIES NON-MORTISED EDGE GUARDS

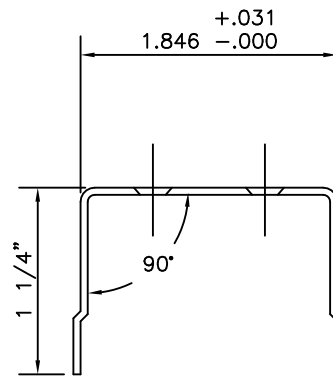
- ALL STANDARD 181 SERIES EDGE GUARDS ARE MADE FOR 1 3/4" +0/-1/32" THICK DOORS.
- LENGTH TOLERANCE IS $\pm 1/16$ ".
- MATERIAL THICKNESS IS .045" - .050".
- THE STANDARD 181 SERIES EDGE GUARDS ARE AVAILABLE IN THE FOLLOWING STYLES:



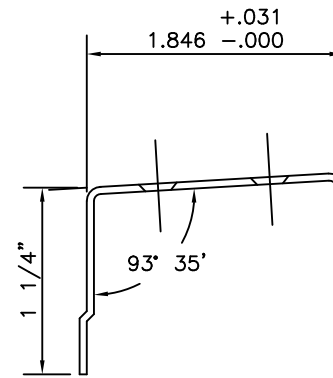
181H



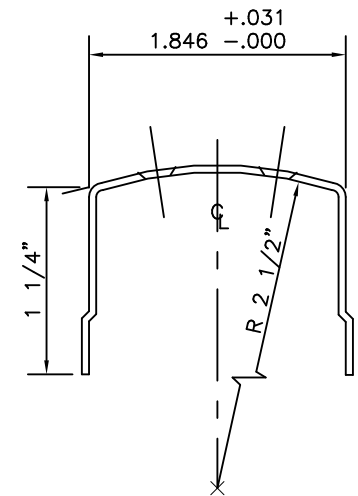
181K



181M



181P



181Q

TOLERANCES ON FRACTIONS $\pm 1/32$ ", ON DECIMALS .XX= ± 0.03 , .XXX= ± 0.010 , ON ANGLES $\pm 1^\circ$ UNLESS NOTED.

J:\181STYL
 LL 4-28-93