

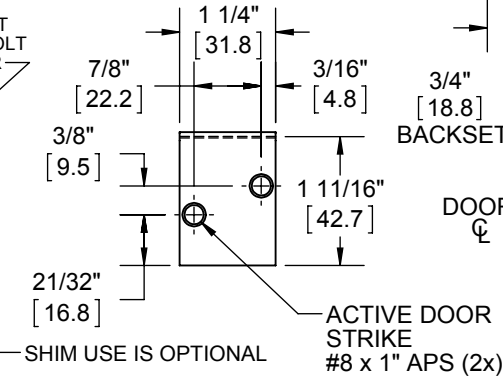
NOTES:

- 294D CONSISTS OF ONE 291S AND ONE 294S FOR TWO POINT LATCHING.
- 294D HAS A 1-1/2 HR FIRE RATING FOR WOOD DOORS UP TO 4 FT. WIDE X 9 FT. TALL.
- DIMENSIONS SHOWN ON THIS TEMPLATE ARE FOR TOP FLUSH BOLTS. FOR BOTTOM FLUSH BOLTS INVERT & MEASURE FROM BOTTOM EDGE OF DOOR
- WHEN TWO POINT LATCHING IS REQUIRED, IT IS RECOMMENDED THAT ONE 294S CONSTANT LATCHING FLUSH BOLT BE USED WITH ONE 291S AUTOMATIC FLUSH BOLT, WITH THE 294S INSTALLED AT THE TOP OF THE DOOR.
- MORTISE ACTIVE DOOR STRIKE 1/16" [1.5] DEEP IF THE GAP BETWEEN THE TWO DOORS IS LESS THAN 3/16" [4.5].

INSTALL CURVED LIP ON THE DOOR EDGE THAT MAKES INITIAL CONTACT WITH BOTTOM FLUSHBOLT ON THE INACTIVE DOOR

ACTIVE DOOR

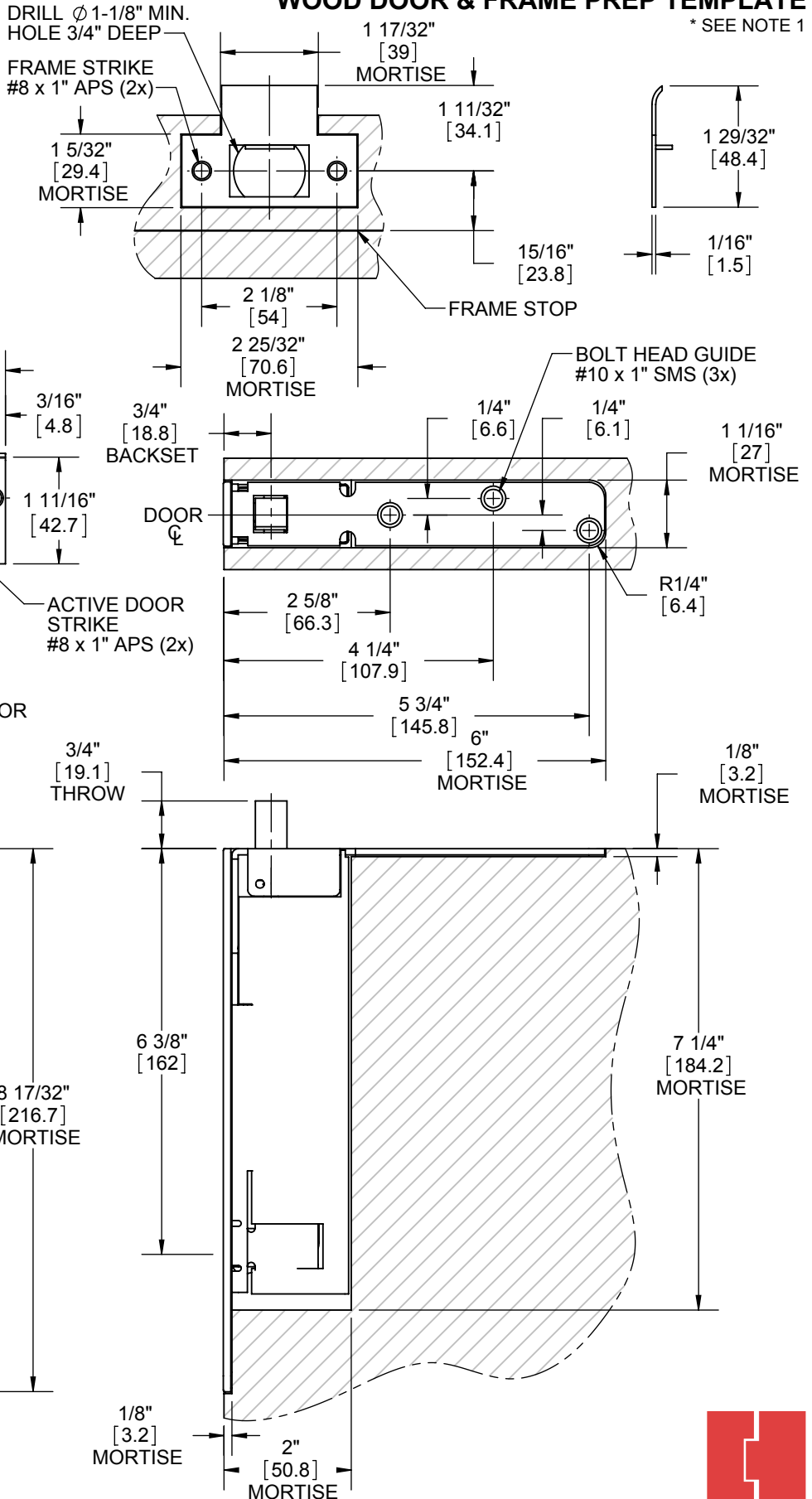
1/16" [1.5]  
SEE NOTE 4



ACTIVE DOOR STRIKE IS USED ONLY ON THE BOTTOM AUTOMATIC FLUSHBOLT FOR TWO POINT LATCHING.

# 294S/294D\* CONSTANT LATCHING FLUSHBOLT WOOD DOOR & FRAME PREP TEMPLATE

\* SEE NOTE 1



BOLT HOUSING 8-32 x 1/2" FHMS (2x)

#8 x 1" APS (2x)

1/2" [12.7]  
1 1/16" [27]  
MORTISE

NOTE: HAGER RESERVES THE RIGHT TO MAKE PART CHANGES AND IS NOT RESPONSIBLE FOR OBSOLETE DRAWING ERRORS. TO ENSURE YOUR DRAWING IS CURRENT VISIT WWW.HAGERCO.COM.



**NOT TO SCALE**  
DIMENSIONS IN [ ] ARE IN MILLIMETERS