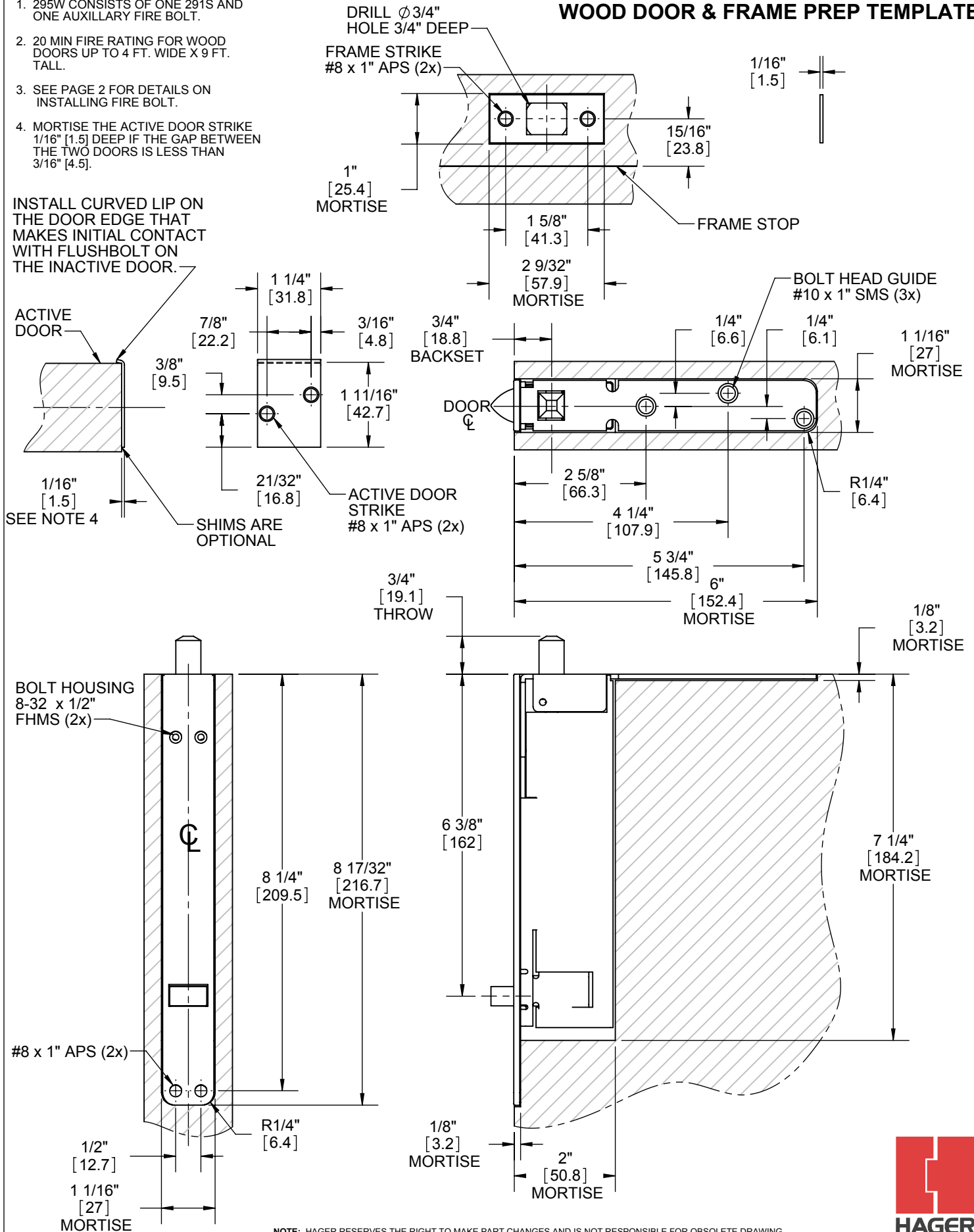


NOTES:

- 295W CONSISTS OF ONE 291S AND ONE AUXILIARY FIRE BOLT.
- 20 MIN FIRE RATING FOR WOOD DOORS UP TO 4 FT. WIDE X 9 FT. TALL.
- SEE PAGE 2 FOR DETAILS ON INSTALLING FIRE BOLT.
- MORTISE THE ACTIVE DOOR STRIKE 1/16" [1.5] DEEP IF THE GAP BETWEEN THE TWO DOORS IS LESS THAN 3/16" [4.5].

INSTALL CURVED LIP ON THE DOOR EDGE THAT MAKES INITIAL CONTACT WITH FLUSHBOLT ON THE INACTIVE DOOR.

295W AUTOMATIC FLUSHBOLT WITH FIRE BOLT WOOD DOOR & FRAME PREP TEMPLATE



NOTE: HAGER RESERVES THE RIGHT TO MAKE PART CHANGES AND IS NOT RESPONSIBLE FOR OBSOLETE DRAWING ERRORS. TO ENSURE YOUR DRAWING IS CURRENT VISIT WWW.HAGERCO.COM.



NOT TO SCALE
DIMENSIONS IN [] ARE IN MILLIMETERS

TEMPLATE NO: T295W	DRAWING NO: T-TA00175	REV: 06	SHEET 1 OF 2
HAGER COMPANIES 139 Victor Street, St. Louis, MO 63104 - (800) 325-9995 - Fax (800) 782-0149			

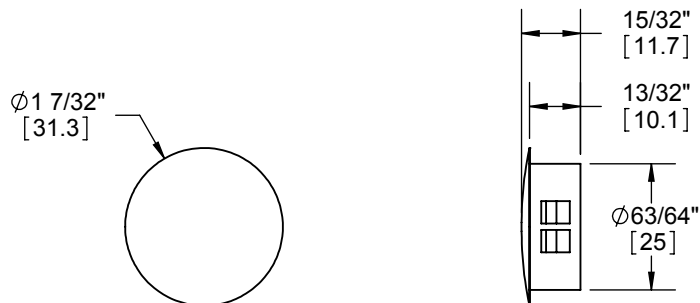
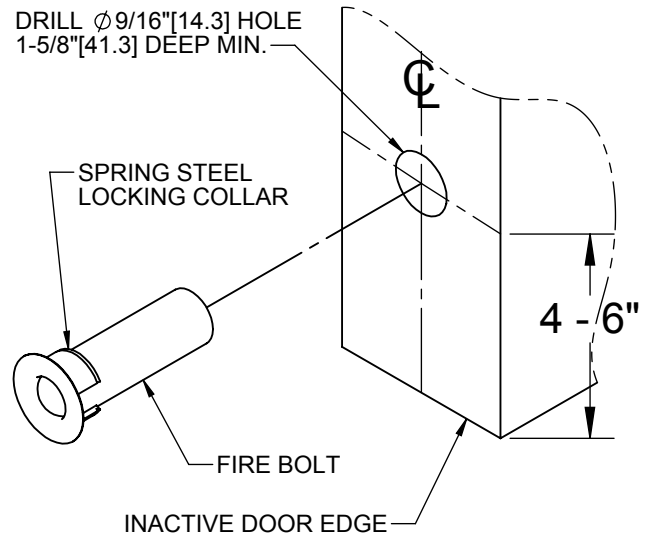
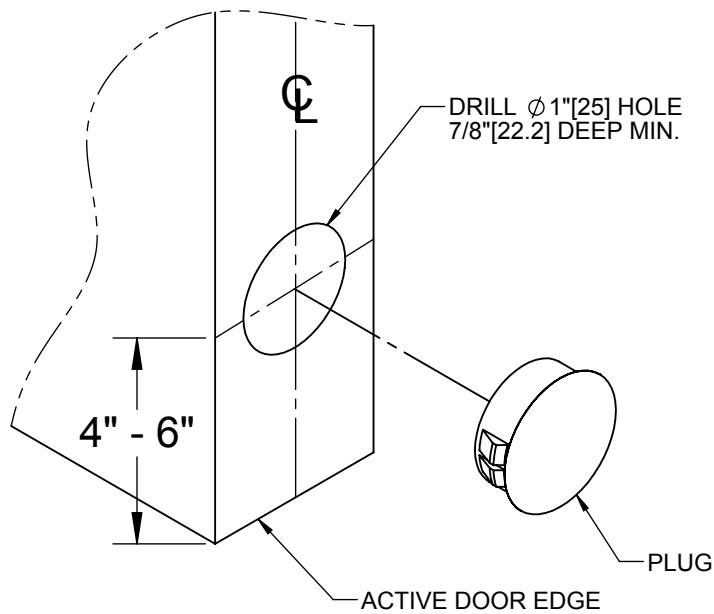
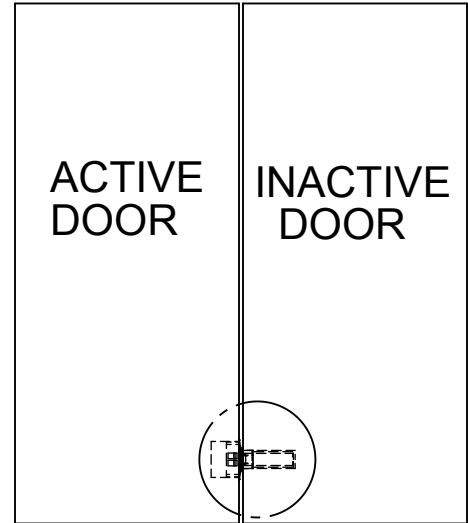
295W AUTOMATIC FLUSHBOLT WITH FIRE BOLT WOOD DOOR & FRAME PREP TEMPLATE

INACTIVE DOOR:

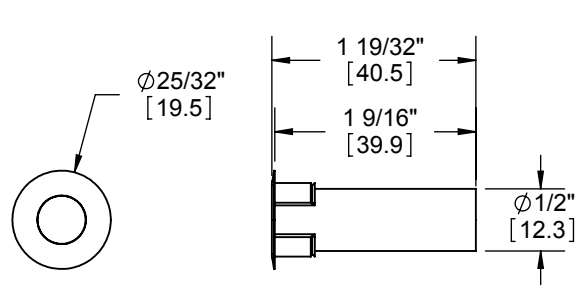
1. MEASURE 4 - 6" FROM BOTTOM OF THE INACTIVE DOOR.
2. DRILL A $\phi 9/16"$ [14.3] HOLE 1-5/8" [41.3] DEEP ON THE CENTERLINE OF THE DOOR EDGE.
3. INSERT FIRE BOLT AND STRIKE SQUARELY WITH A HAMMER UNTIL IT SITS TIGHT AGAINST DOOR EDGE. (A WOOD BLOCK MAY BE USED BETWEEN THE HAMMER AND FIRE BOLT/PLUG TO PROTECT FINISH)

ACTIVE DOOR:

1. DRILL $\phi 1"$ [25.4] HOLE 7/8" [22.2] DEEP FOR THE PLUG (USE SAME HEIGHT DIMENSION AS USED IN THE FIRE BOLT INSTALLATION)
2. INSERT FIRE BOLT AND STRIKE SQUARELY WITH A HAMMER UNTIL IT SITS TIGHT AGAINST DOOR EDGE. (A WOOD BLOCK MAY BE USED BETWEEN THE HAMMER AND FIRE BOLT/PLUG TO PROTECT FINISH)
3. FOR ZERO CLEARANCE DOORS, COUNTERBORE 1-1/4" [31.7] X 1/16" [1.6] DEEP FOR PLUG.



PLUG



FIRE BOLT

IMPORTANT: THE FIRE BOLT WILL PROJECT DURING A FIRE. DO NOT COVER WITH ANY EDGE MOUNTED HARDWARE.



NOT TO SCALE

DIMENSIONS IN [] ARE IN MILLIMETERS