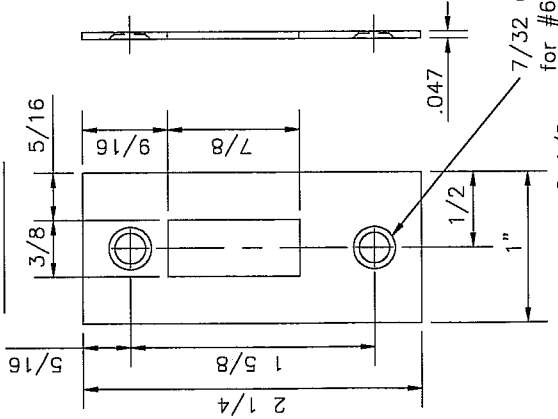
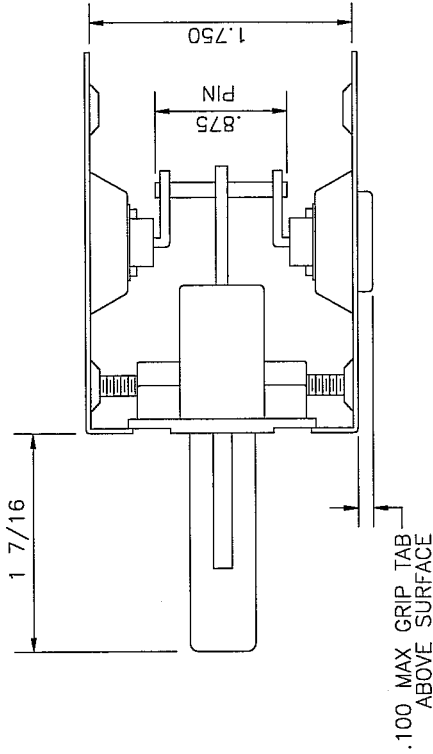


STRIKE PLATE

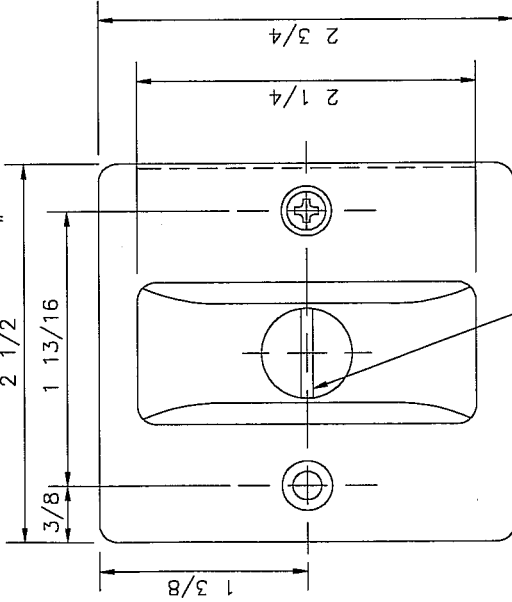


NOTE: PARTS ARE TO BE SUPPLIED WITH THE FOLLOWING -

- INSTRUCTION SHEET
- MOUNTING SCREWS:
- (2) EA #6 x 3/4 FPHW for STRIKE PLATE MOUNT.
- (2) EA #6 x 5/8 OPHW for PULL MOUNT.
- (2) EA #6 x 1/2 OPHM for SIDE PLATES TO LATCH MOUNT.
- STRIKE PLATE
- CORRUGATED SPACER
- PACK IN POLY BAG, THEN INTO INDIVIDUAL CARTONS.



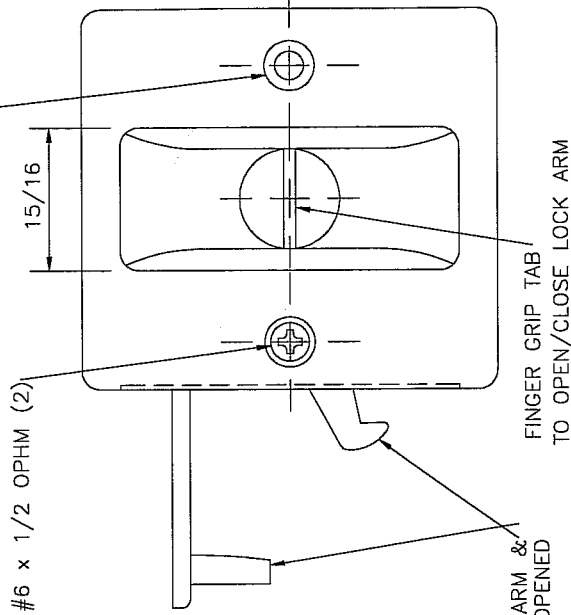
7/32 ϕ THRU - CSINK
for #6 FPHW - 2 PLACES



FLAT BLADE
SCREWDRIVER SLOT

SHOWN WITH LOCK ARM &
PULL LEVER OPENED

3/16 ϕ HOLE THRU
W/ EXTRUDED C'SINK
4 PLACES



HAGER RESERVES THE RIGHT TO
MAKE DESIGN CHANGES WITHOUT
NOTICE. CALL HAGER ENGINEERING
AT 1-800-325-9995 FOR THE LATEST
REVISION DATE OF TEMPLATE.

PRIMARY DIMENSIONS SHOWN IN INCHES,
DIMENSIONS IN [] ARE MILLIMETERS.

DRAWN	NJANSEN	1/24/2008
ENG. APPR.	MMCRAE	1/24/2008
Q.A.		
TOLERANCES:		
FRACTIONAL: $\pm 0.015"$		
ANGULAR: MACH $\pm 1^\circ$ BEND: $\pm 1^\circ$		
TWO PLACE DECIMAL: $\pm 0.01"$		
THREE PLACE DECIMAL: $\pm 0.004"$		

MATERIAL	
FINISH	
DO NOT SCALE DRAWING	

330M	
POCKET DOOR PRIVACY LATCH	
SIZE	M-TA00019
DWG. NO.	
REV.	
SCALE: 1:1	WEIGHT:
SHEET 1 OF 1	