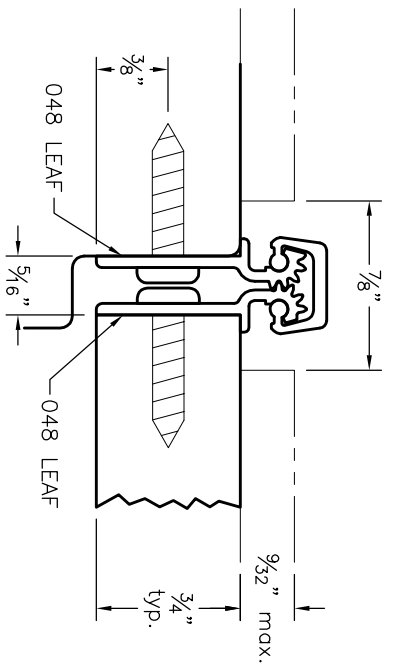


500-048

(048A + 048B + 500FBCC)



ACTUAL SIZE

Standard Configurations

Hinge Length	Bearing/Hole Spacing	End of hinge to center of first bearing	Total number of screw holes	Total number of bearings
24"	4"	2"	12	6
36"	4"	2"	18	9
48"	4"	2"	24	12
72"	4"	2"	36	18

		HAGER COMPANIES HIGHWAY 76 WEST OXFORD, ALABAMA 36803	
STANDARD CONFIGURATIONS FOR ROTON 500 SERIES HINGES MODEL: 500-048			
DATE: 09-01-05	REV:	DR:	SCALE: None
FILENAME: z:\... \rdon Templates \standard\500-048.dwg			
DRAWING NO. 500-048			