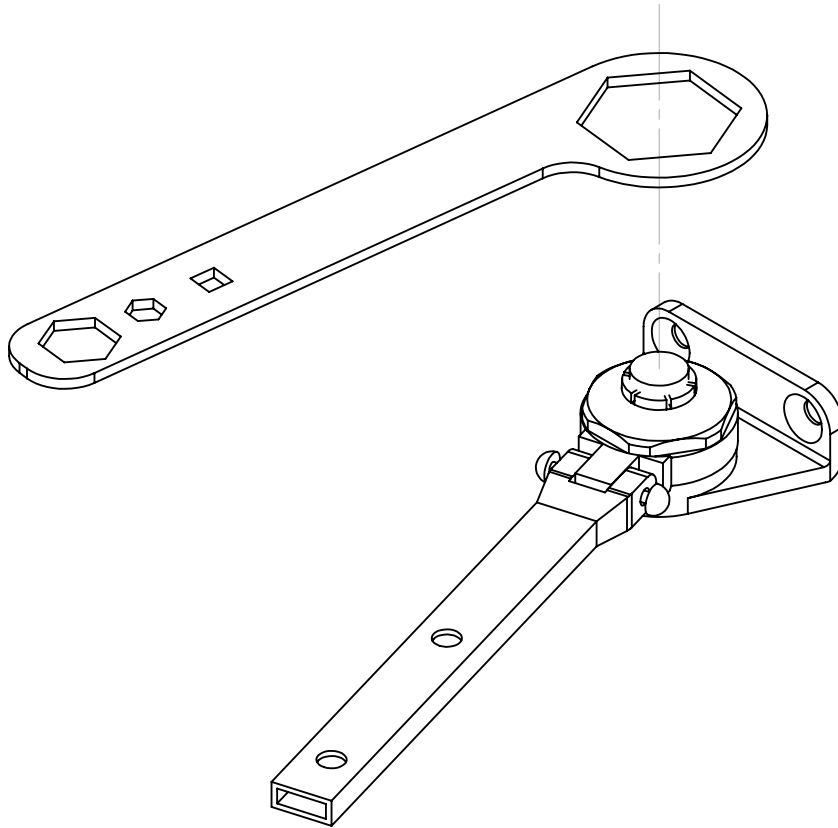


FRICITION HOLD OPEN USER MAINTENANCE



Note: The friction hold open arms require occasional maintenance after multiple engagements. User will notice when maintenance is needed because the hold open function will become loose. When this happens simply open door to desired angle of hold open and then tighten down nut as shown. The friction hold open arms are meant to be used in scenarios where the door is held open only occasionally, not frequently.