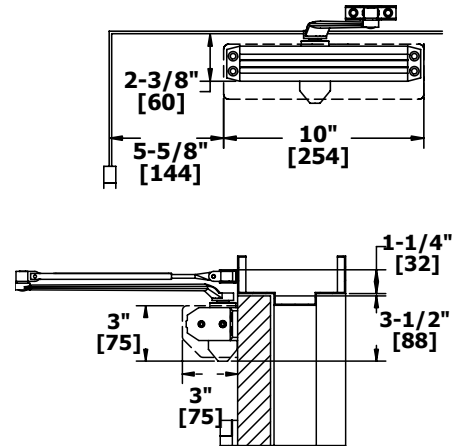


5300 SERIES - APPLICATIONS

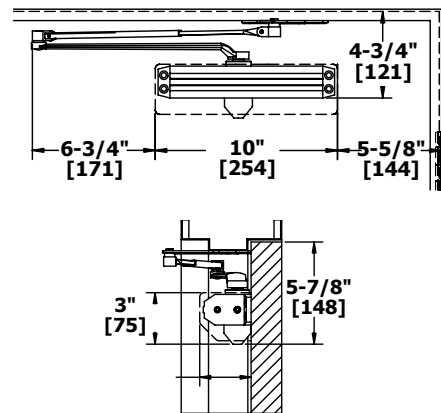
REGULAR ARM MOUNT (PULL SIDE)

Opening:	Templating allows up to 180°
Hold Open:	Hold open points 90° up to 180° with hold open arm
Frame Face:	1-3/8" (35 mm) minimum
Ceiling Clearance:	<ul style="list-style-type: none"> • 1-5/8" (41 mm) minimum • 1-5/8" (41 mm) minimum for hold open arm
Top Rail:	2-1/2" (64 mm) minimum with drop plate, 5915
Top Rail Clearance:	4-1/4" (108 mm) minimum from the top of the door



PARALLEL ARM MOUNT (PUSH SIDE)

Opening:	Templating allows up to 180°
Hold Open:	Hold open points 90° up to 180° with hold open
Top Rail:	<ul style="list-style-type: none"> • Standard hollow metal 5/8" frame stop • 4-3/4" (121 mm) minimum • 4" (102 mm) minimum with hold open • 3-1/8" (79 mm) minimum with plate • 2-1/8" (54 mm) minimum with hold open and plate
Top Rail Clearance:	5-3/4" (146 mm) minimum from the top of the door



TOP JAMB MOUNT (PUSH SIDE)

Opening:	Templating allows up to 180°
Hold Open:	Hold open points 90° up to 180° with hold open
Frame Face:	1-3/4" (45 mm) minimum
Ceiling Clearance:	<ul style="list-style-type: none"> • 2-3/4" (70 mm) minimum • 1-3/4" (44 mm) minimum with drop plate, 5918
Top Rail:	1-7/8" (48 mm) minimum
Top Rail Clearance:	<ul style="list-style-type: none"> • 2-1/8" (54 mm) minimum • 2-3/4" (70 mm) minimum with drop plate, 5917 • 2-1/4" (57 mm) minimum for hold open with drop plate, 5917 • 3-5/8" (92 mm) minimum with drop plate, 5915

