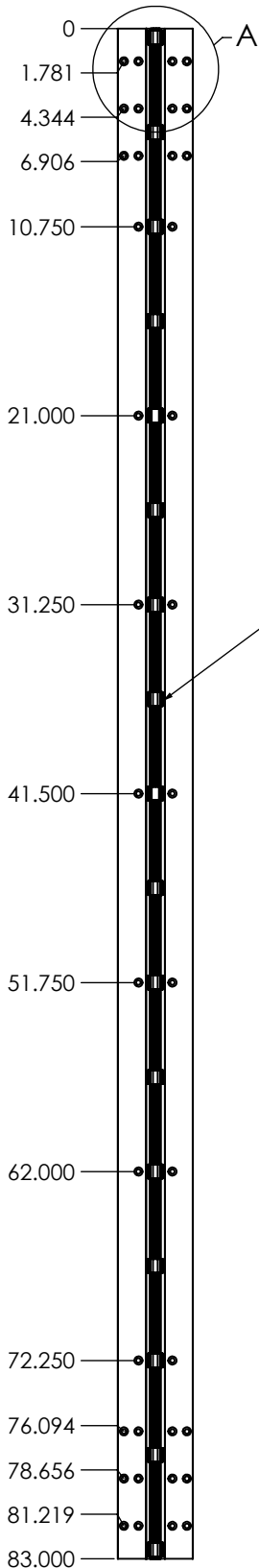
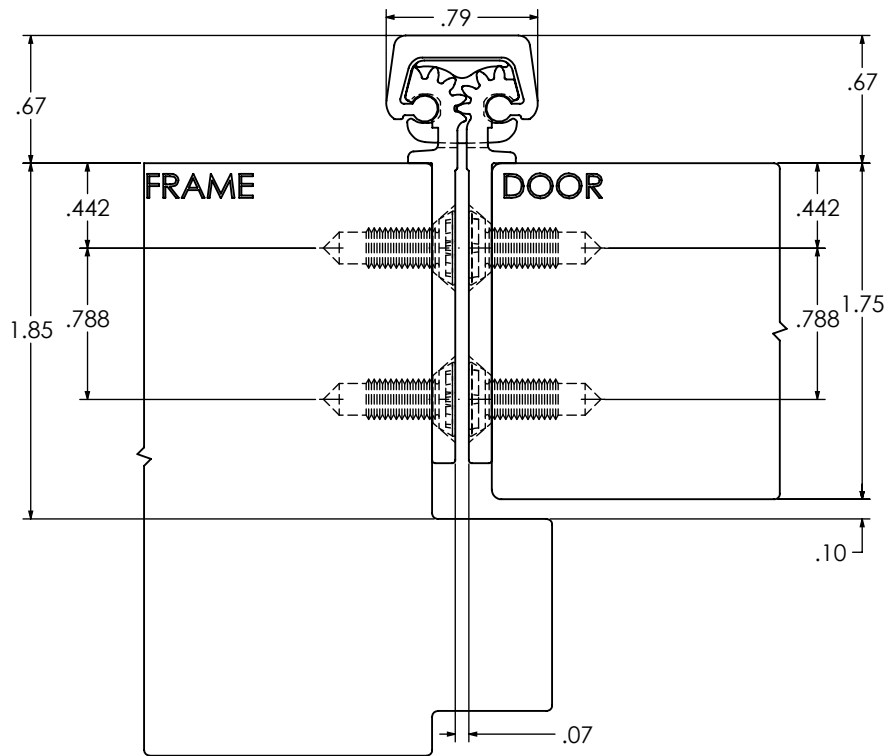


TEMPLATE FOR FULL MORTISE CONTINUOUS GEARED ALUMINUM HINGE

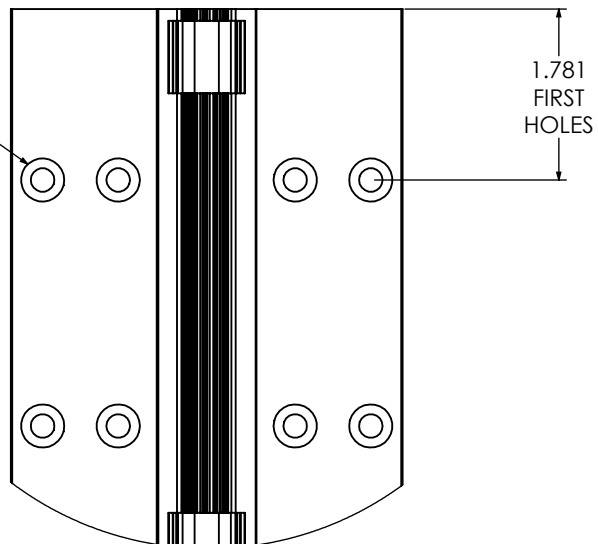


BEARINGS
17 PLACES



SCALE 1 : 1

12 FLAT
HEAD SCREW
38 PLACES



DETAIL A
SCALE 1 : 2