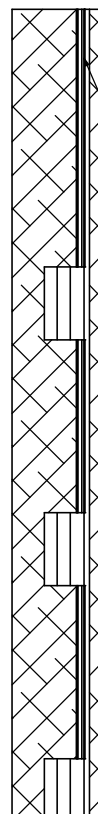
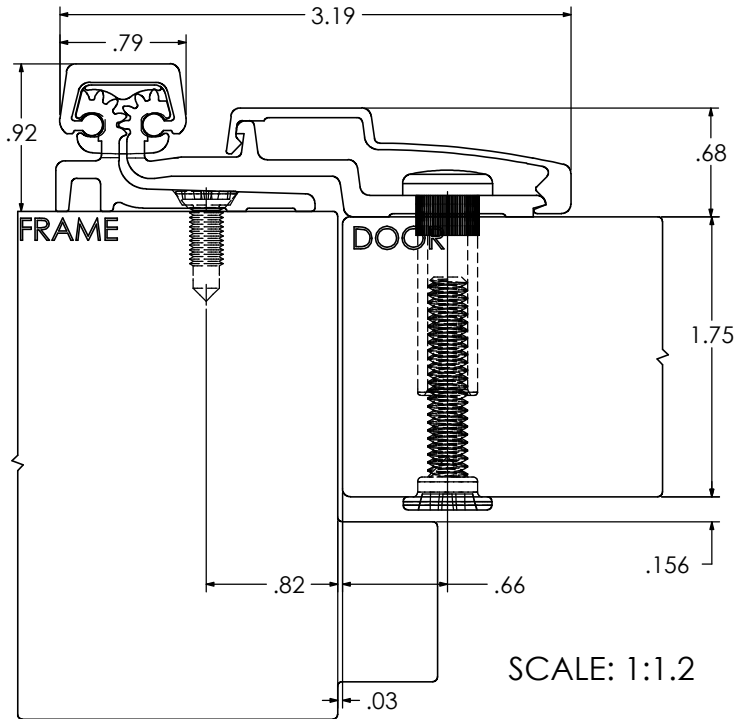
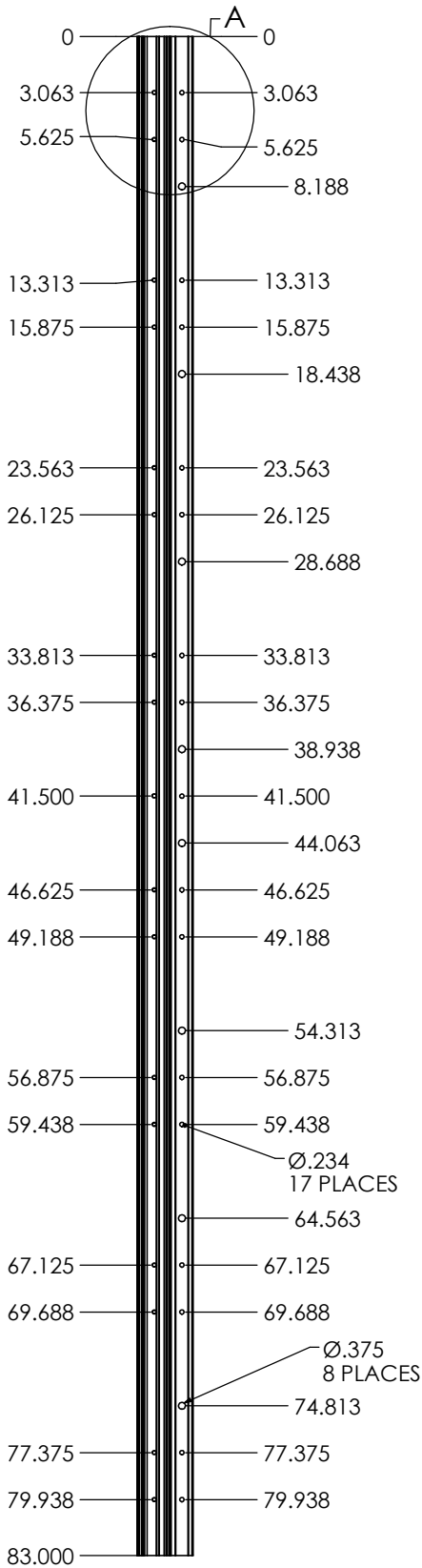
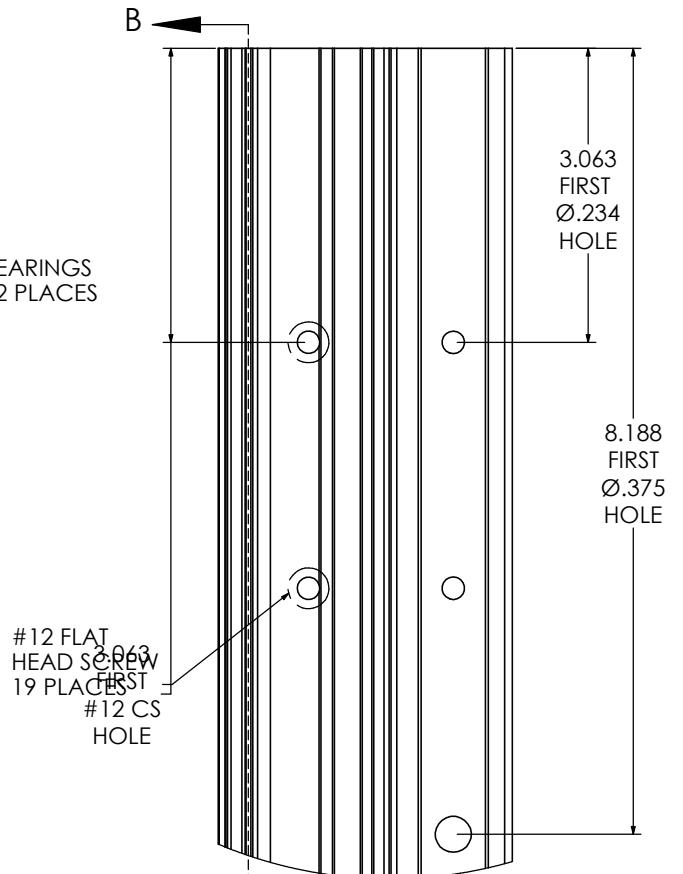


## TEMPLATE FOR FULL SURFACE CONTINUOUS GEARED ALUMINUM HINGE



SECTION B-B  
SCALE 1:2



DETAIL A  
SCALE 1:2