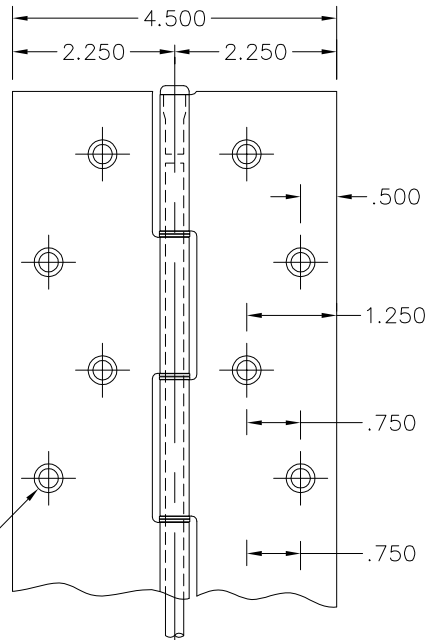
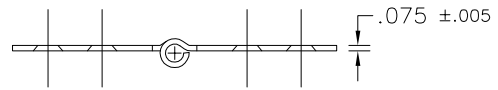


### APPLICATION

SCALE: 3/4



PIERCE & COUNTERSINK FOR  
#10 FLAT HEAD SCREW,  
- SCREW HEAD FLUSH ± .010

### HOLE PATTERN DETAIL

SCALE: 3/8

### NOTES:

- MATERIAL: .075 STAINLESS STEEL #304-2B FINISH
- ALL DIMENSIONS ARE IN INCHES
- DRAWINGS ARE NOT TO SCALE
- KNUCKLE PATTERN MAY VARY

TOLERANCE (UNLESS NOTED)	DET	QTY	SH	STOCK SIZE	MAT'L	REMARKS
.X = ± .060	Bill of Material					
.XX = ± .030	REVISIONS					
.XXX = ± .015	HAGER COMPANIES					
ANGLE = ± 2'	HAGER - MODEL 790-900 - 83"					
FRACTION = ± 1/32	CONTINUOUS STAINLESS STEEL HINGE					
REMOVE ALL BURRS	DATE 06-16-03 BY KBJ DRAWN AS NOTED					
BREAK SHARP EDGES .010 MAX	DRAWING NO. 790-900 - 83"					