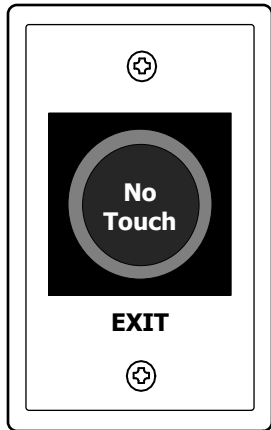


**INSTALLATION INSTRUCTIONS**  
**MODEL 2978 WAVE-TO-EXIT SWITCH**

**Installation & Operation**



- NOTE:** *The HAGER 2978 must be mounted to a single-gang electrical back box or plaster ring.*
1. Unscrew the four rear cover screws. Remove the rear cover to expose the 8-position screwless terminal block.
  2. Feed the wiring through the wall to the back box. Feed the wiring through the gasketed hole of the rear cover. Verify that the wire leads are on the inside of the rear cover.
  3. Connect the wires onto the screwless terminal block (see page 2 for typical wiring examples). Verify that each wire is securely terminated by gently pulling on each wire.
  4. Replace the rear cover of the sensor switch, and secure the four cover screws.
  5. Mount the stainless steel faceplate onto the back box using the two supplied screws. Be careful not to pinch any wires when mounting the device.
  6. Apply 12VDC power to the device. The LED indicator ring will turn RED.
  7. Test for proper activation by placing a hand within 4" of the sensor. The LED sensor ring will change from RED to GREEN, and both relays will activate.

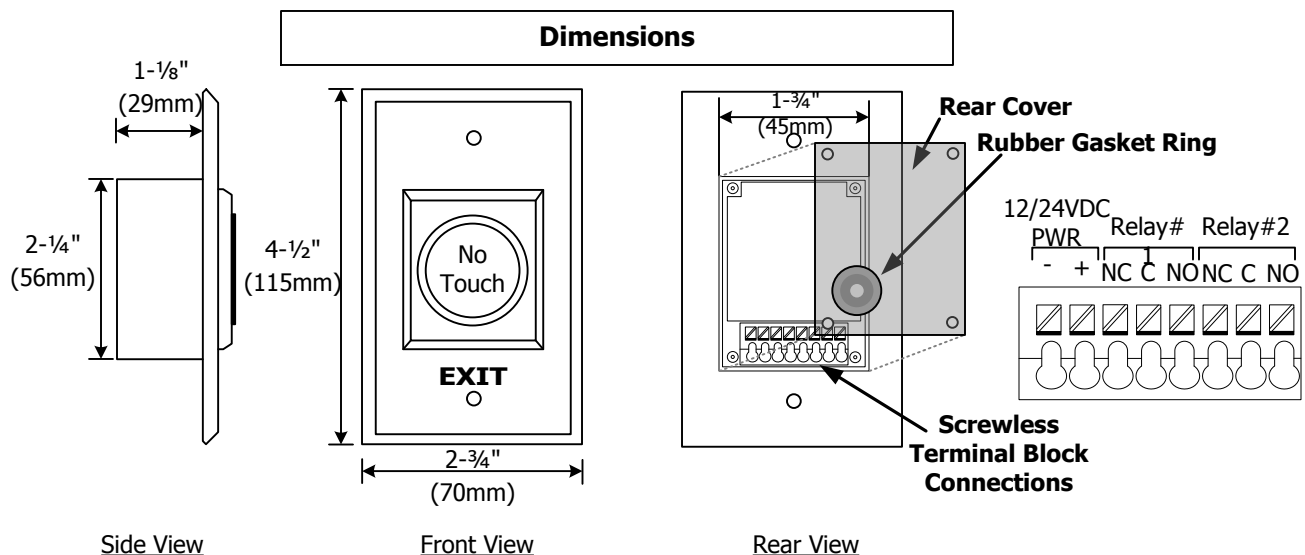
**Features & Applications**

- Device is activated with the simple wave of a hand
- Designed to control electric locks/strikes, magnetic locks, or automatic door operators
- Ideal for use in cleanrooms, hospitals, labs, schools, or offices
- Sensing range up to 4" (10cm)
- Mounted on a durable stainless steel plate
- Dual LED, illuminated sensor indicates status
- Quick connect screwless terminal block for easy installation.

**Specifications**

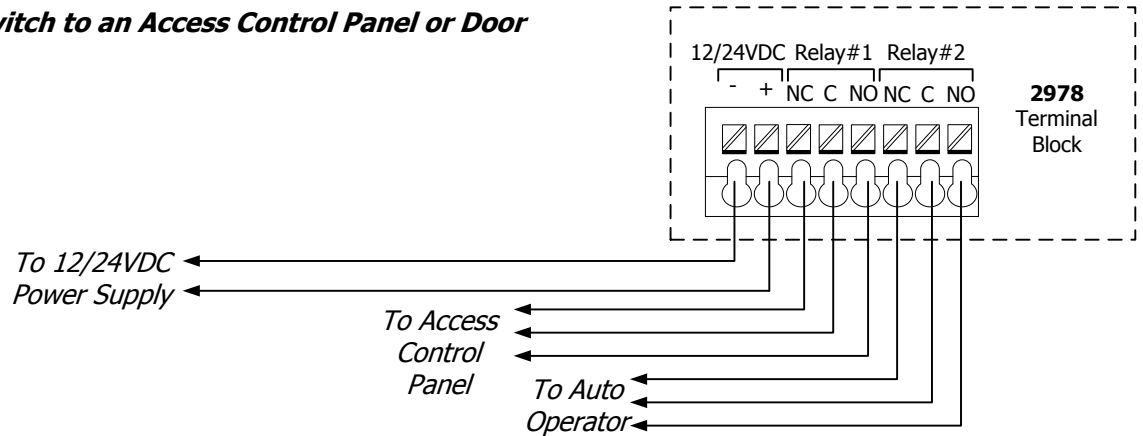
Input Voltage			
Current @ 12VDC	30mA	70mA	
24VDC	15mA Standby	35mA	Active
Contact Rating		(2) Form C Relays, 3A@30VDC (Resistive)	
LED Color	Standby	Red	
	Active	Green	
Range		4" (10cm) max.	
Output Activation Time		1 Second or as long as sensor is triggered	
Operating Temp.		-4deg F ~ 131deg F (-20C ~ 55C)	
Weight		3 oz. (85g)	
Dimensions		4.5" X 2.75" x 1.375" (mm = 115 x 70 x 35)	

**Dimensions**



## Typical Wiring Examples

### Connecting the Switch to an Access Control Panel or Door Operator:



### Using the 2978 as a request to exit device in an access control system

