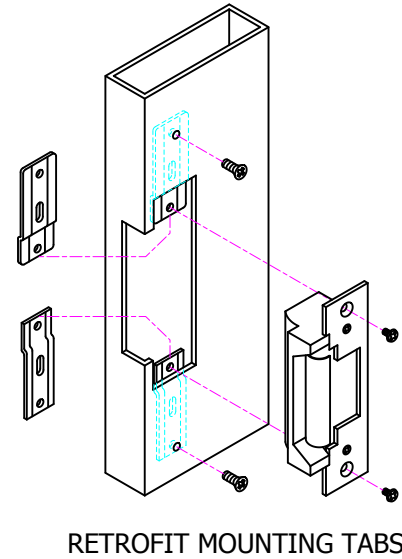
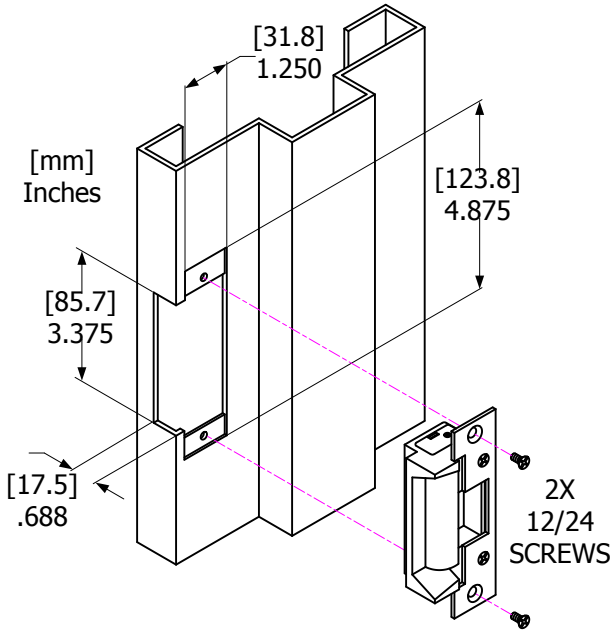
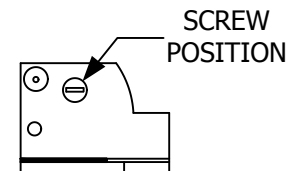
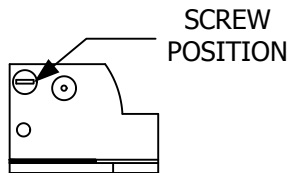


**INSTALLATION INSTRUCTIONS 2925 ELECTRIC STRIKE**



**FAIL SECURE**

**FAIL SAFE**

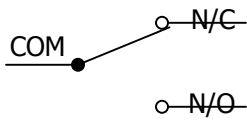


**ELECTRICAL DATA: 200/100mA@12/24VDC**

**DIMENSION**

DC12V	DC24V
+ — RED — BLACK	+ — RED — BLACK
- — BLUE — WHITE	- — BLUE — WHITE

**LATCH BOLT MONITOR**

ORANGE —>	N/C	
WHITE —>	COM	
YELLOW —>	N/O	

