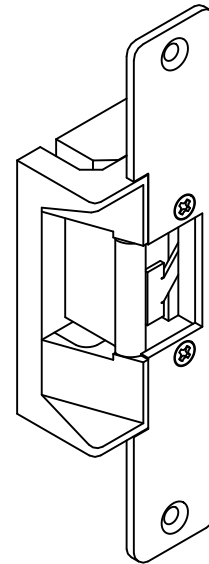
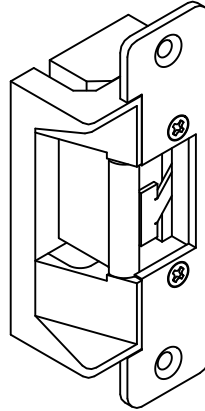
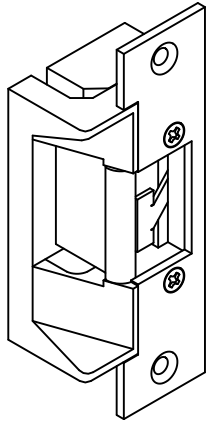


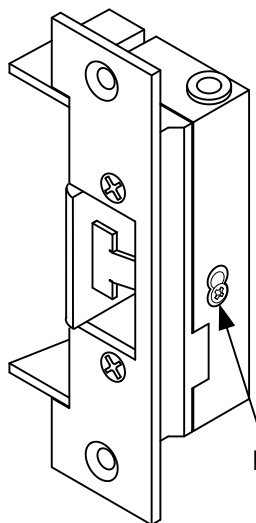
**INSTALLATION INSTRUCTIONS
2928 SERIES ELECTRIC STRIKES**



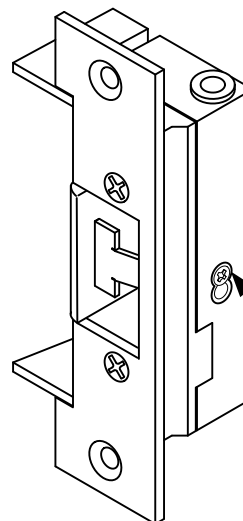
MODELS:

- 2928-SC – 4.875" (124mm) Square corners for wood and hollow metal frames.
- 2928-RC – 4.875" Radius corners for aluminum/wood frame
- 2928-6R – 6.875" Radius corners for aluminum/wood frame.
- 2928-7R – 7.938" Radius corners for aluminum/wood frame

FAILSECURE STANDARD. FIELD ADJUSTABLE FROM FAILSECURE TO FAILSAFE AS SHOWN



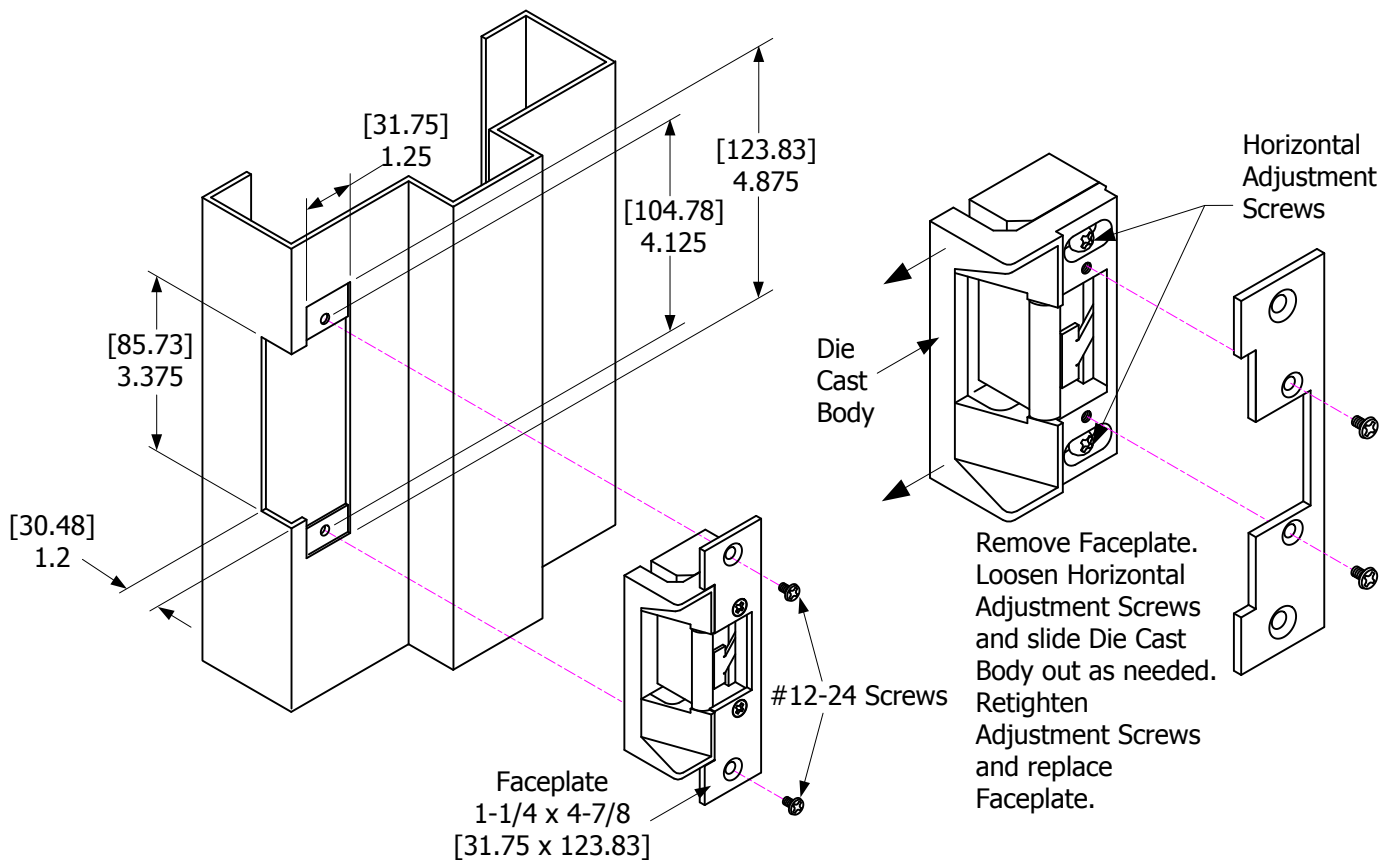
FAILSAFE



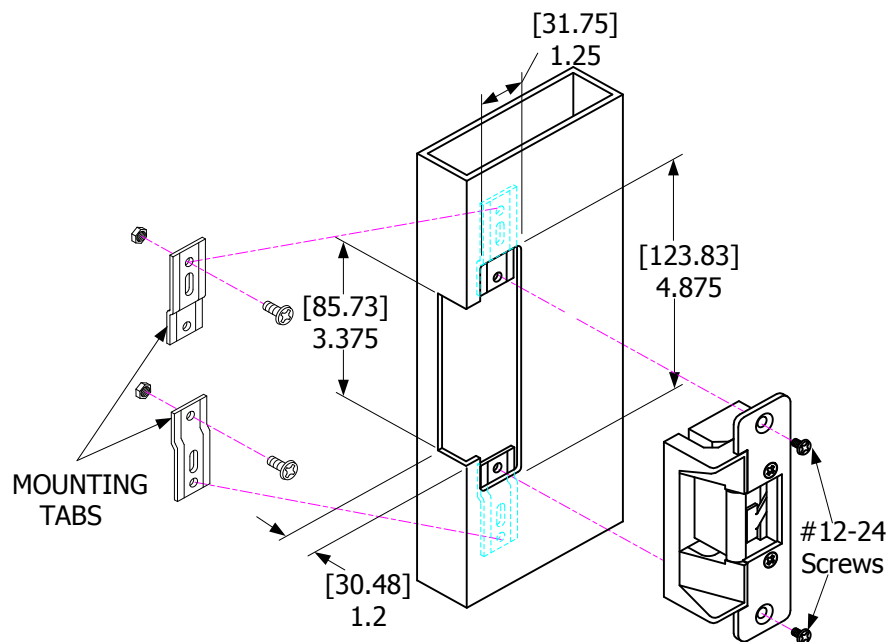
FAILSECURE

TYPICAL HOLLOW METAL FRAME

HORIZONTAL ADJUSTMENT



TYPICAL ALUMINUM FRAME

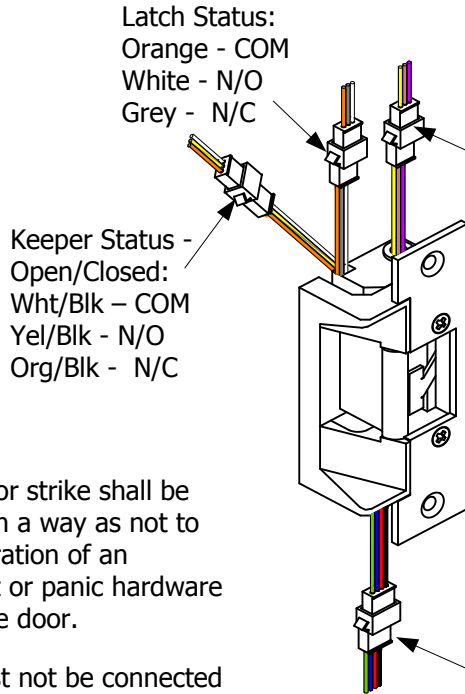


ELECTRICAL DATA:

- Dual Voltage: 200/100mA @ 12/24VDC
 140/70mA @ 12/24VAC

MONITORING:

- Latch Status: SDPT, dry 3Amp @ 30V (standard)
- Keeper Closed and Deadlocked (standard)
- Keeper Open/Closed Status: SPDT, Dry 3Amp @ 30V (optional)



- Keeper Status - Locked/Unlocked:
 Purple - COM
 Brown - N/O
 Yellow - N/C

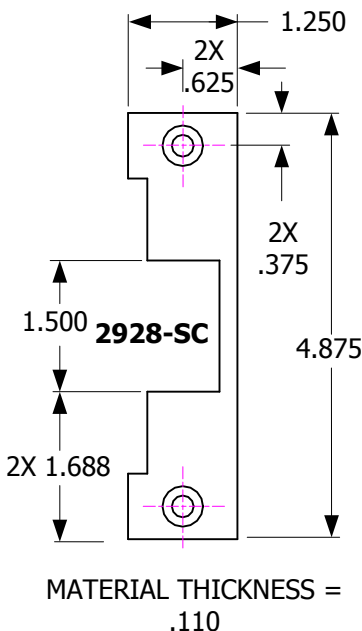
12V		24V	
Red	— +	Red	— +
Black	—	Black	—
Blue	— -	Blue	— -
Green	—	Green	— -

Notes:

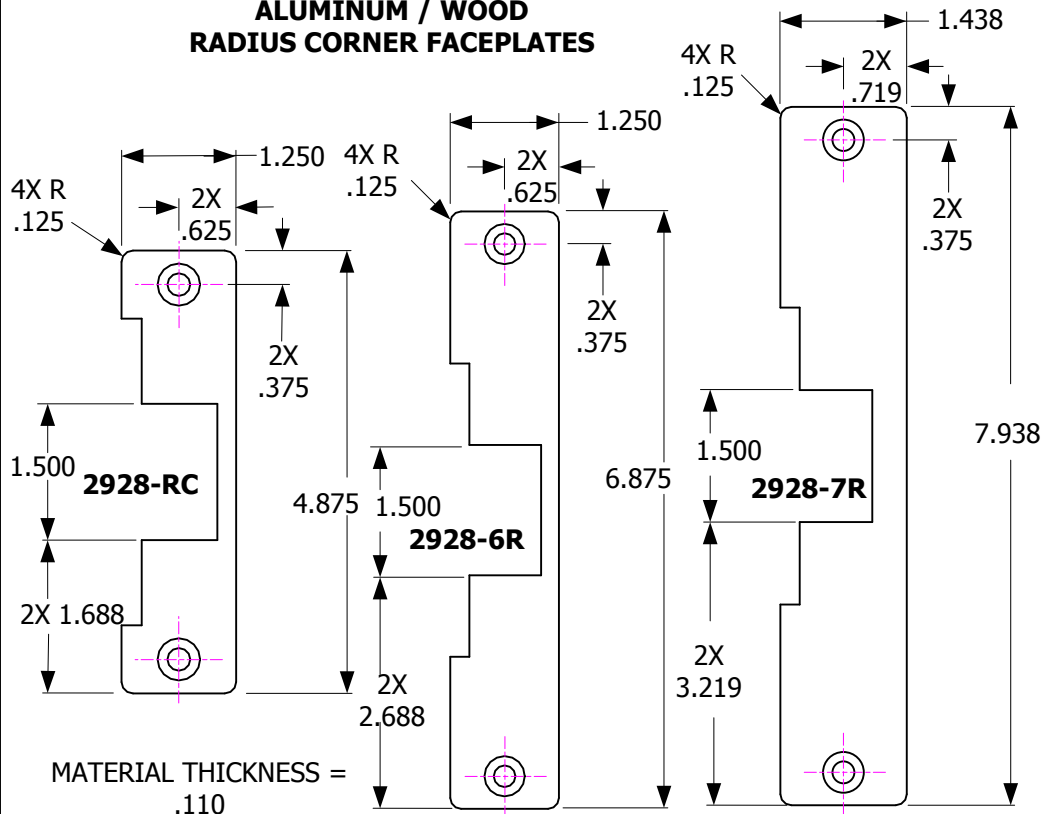
The electric door strike shall be installed in such a way as not to impair the operation of an emergency exit or panic hardware mounted on the door.

Wire leads must not be connected to conductors larger than 18AWG

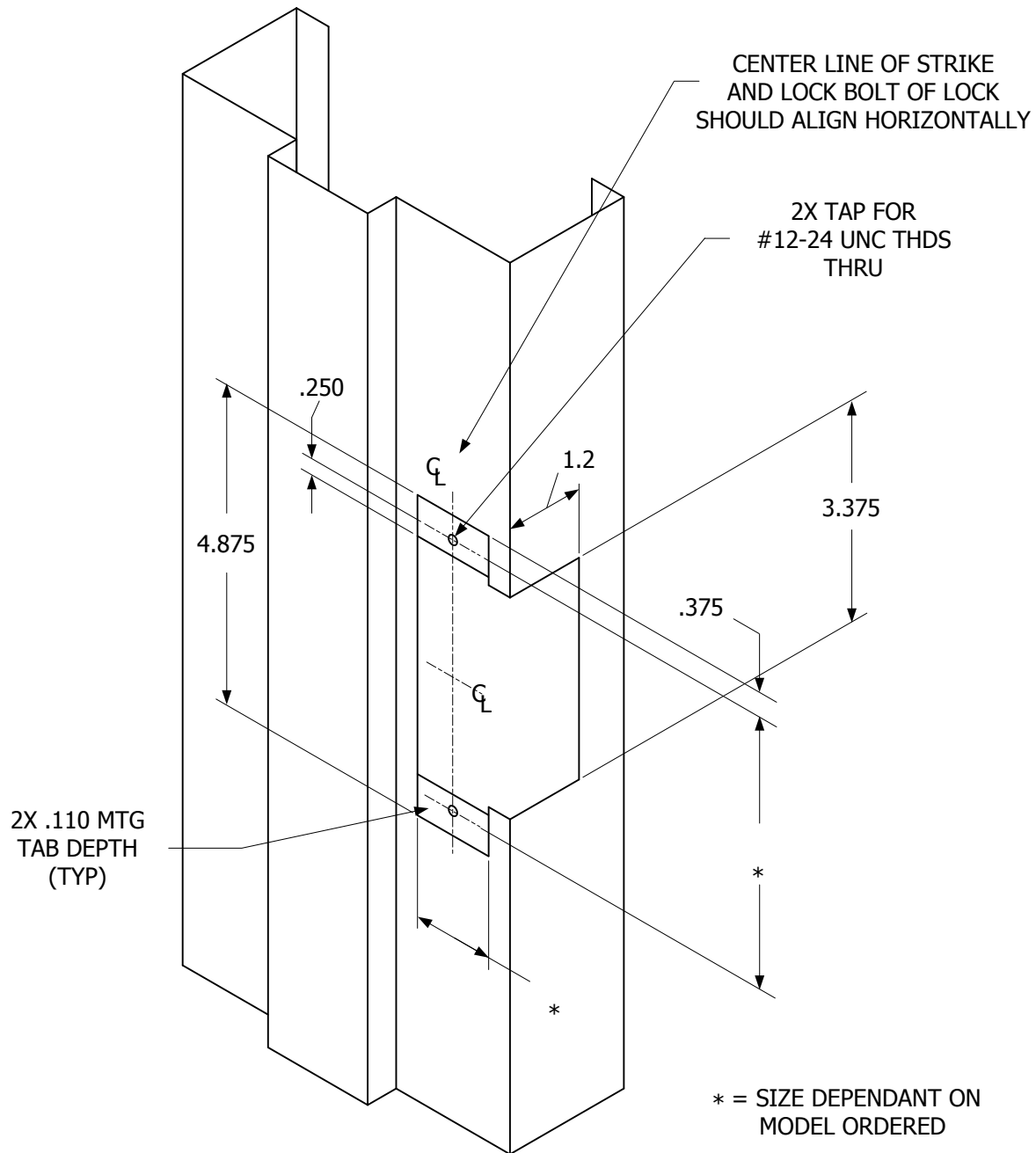
HOLLOW METAL, SQUARE CORNER FACEPLATE



ALUMINUM / WOOD RADIUS CORNER FACEPLATES



**2928 SERIES ELECTRIC STRIKE FRAME PREPARATION
FOR HOLLOW METAL FRAMES**



**2928 SERIES ELECTRIC STRIKE FRAME PREPARATION
FOR WOOD FRAMES**

SPECIFIC MODEL DIMENSIONS

2928-SC: A= 4.875; B= 1.25

2928-RC: A= 4.875; B= 1.25

2928-6R: A= 6.875; B= 1.25

2928-7R: A= 7.938; B= 1.438

