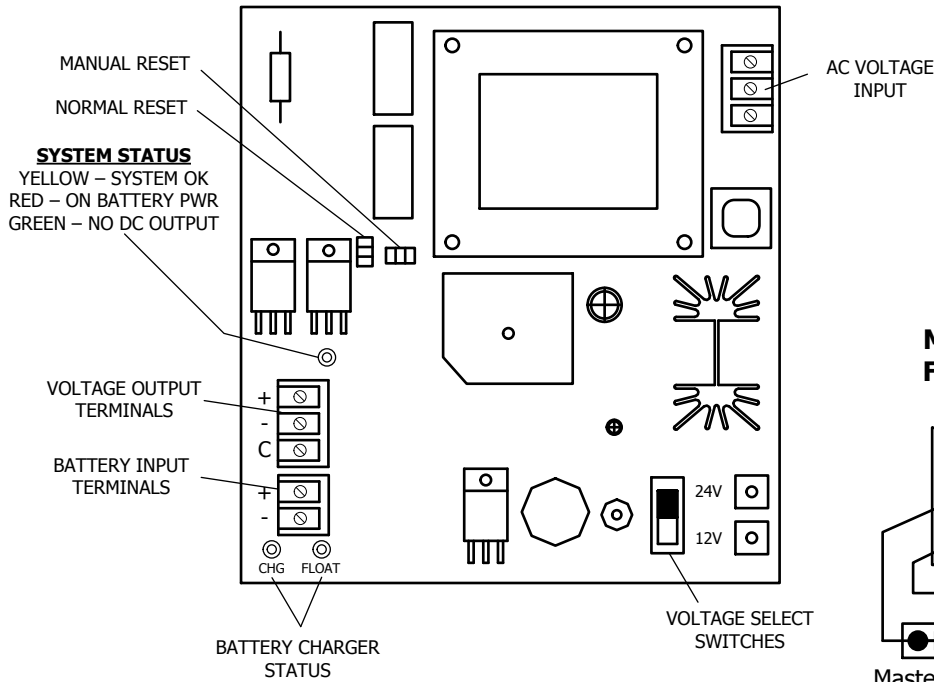
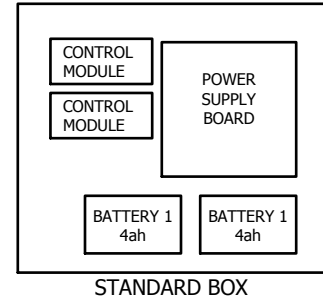


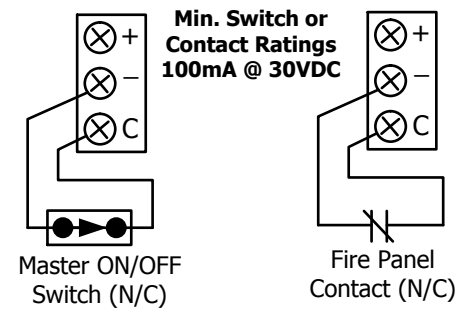
2909 Power Supply



COMPONENT LOCATIONS



MAIN SYSTEM ON-OFF OR FIRE PANEL CONNECTION



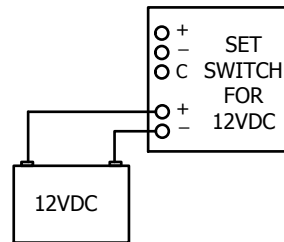
POWER SUPPLY SPECIFICATIONS

Input Voltage: 115/230 VAC @ 60hz
Input Current: 0.8 amps Max.

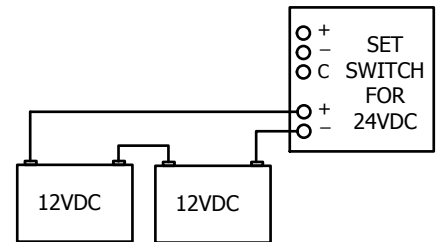
Output Voltage: 12/24VDC
Output Voltage Ranges:
12 V Operation: 9.2 – 12.0 VDC
24 V Operation: 21.2 – 24.0 VDC
Output Current: 2.0 amps
Ripple Voltage: 0.05 Volts Max.

Battery Charger Max. Current: 0.25 amps
Maximum recommended battery size: 4ah
(Replace batteries every 3 years)

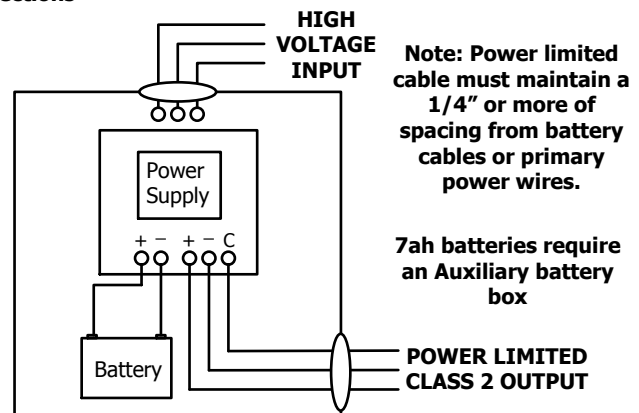
Suitable Uses:
Electric Lock Power Supply
Access Control Power Supply



**12 Volt Mode
Battery
Connections**



**24 Volt Mode Battery
Connections**



TEST UNIT ANNUALLY